

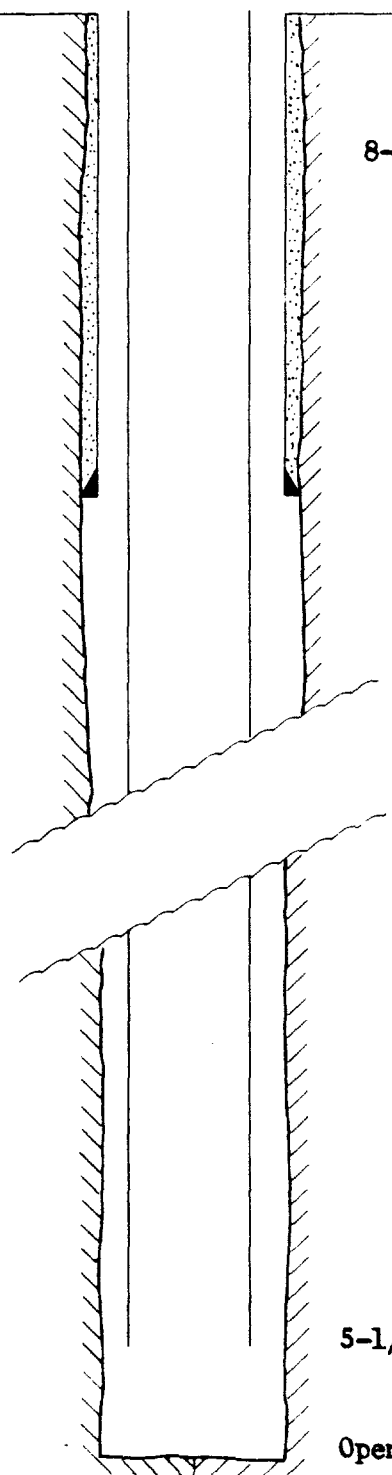
Case
3049

LITTMAN SAN ANDRES FIELD
LEA COUNTY, NEW MEXICO - ANDREWS COUNTY, TEXAS

OPERATOR Elliott, Inc. LEASE Parcel WELL 2

LOCATION 990' FSL & 330' FEL, Sec. 8-T21S-R38E, Lea County, New Mexico

Surface



8-5/8" Csg. @ 1614' with 450 Sacks

Production Tubing:
2" @ 4330'

5-1/2" Csg. @ 4316' with 350 Sacks

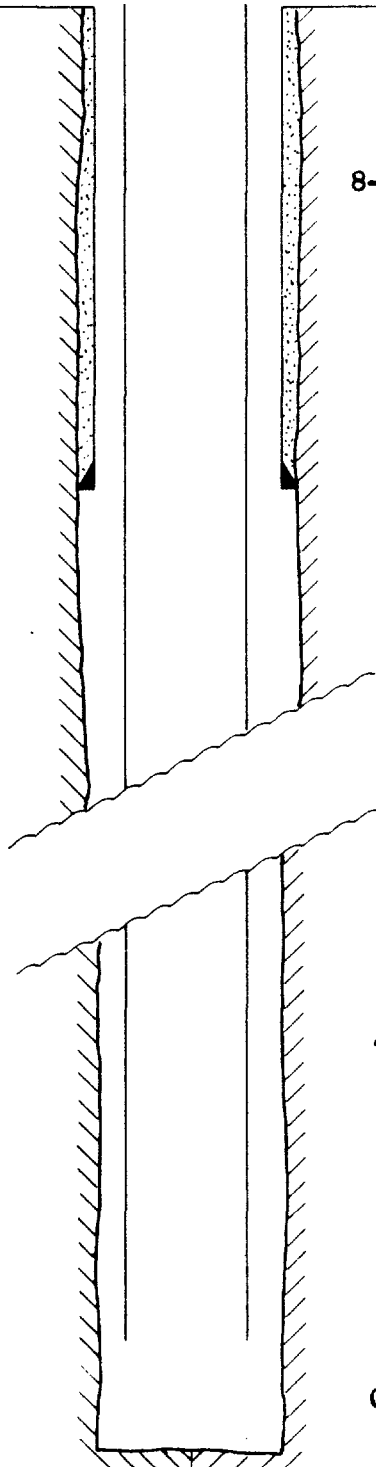
Open Hole 4316'-60'

LITTMAN SAN ANDRES FIELD
LEA COUNTY, NEW MEXICO — ANDREWS COUNTY, TEXAS

OPERATOR Elliott, Inc. LEASE Wylie WELL 1

LOCATION 990' FSL & 330' FEL, Sec. 9-T21S-R38E, Lea County, New Mexico

Surface



8-5/8" Csg. @ 1616' with 150 Sacks

7" Csg. @ 4321' with 200 Sacks

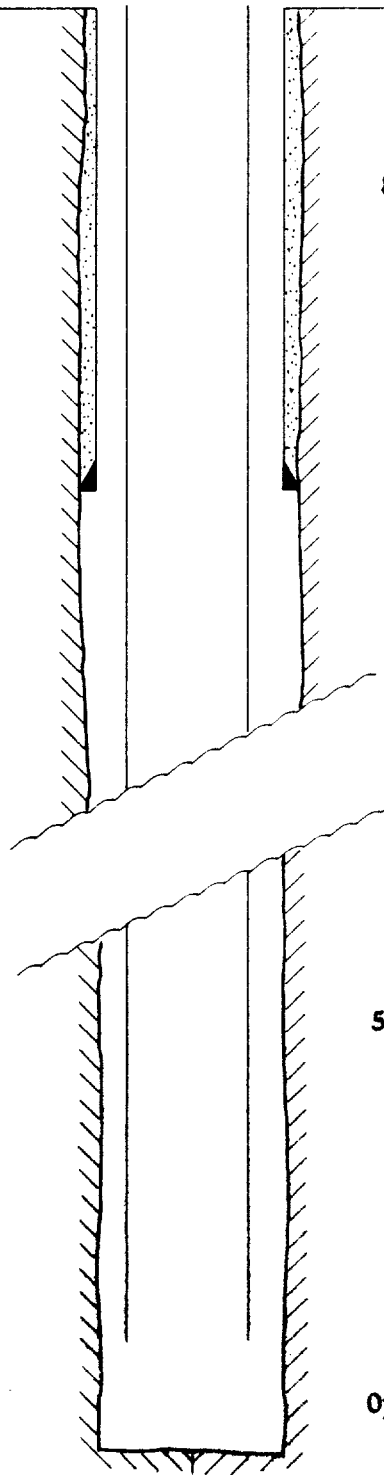
Open Hole 4321'-60'

LITTMAN SAN ANDRES FIELD
LEA COUNTY, NEW MEXICO - ANDREWS COUNTY, TEXAS

OPERATOR Elliott, Inc. LEASE Wylie WELL 3

LOCATION 1650' FSL & 1650' FEL, Sec. 9-T21S-R38E, Lea County, New Mexico

Surface



8-5/8" Csg. @ 1625' with 600 Sacks

5-1/2" Csg. @ 4327' with 350 Sacks

Production Tubing:

2" @ 4337'

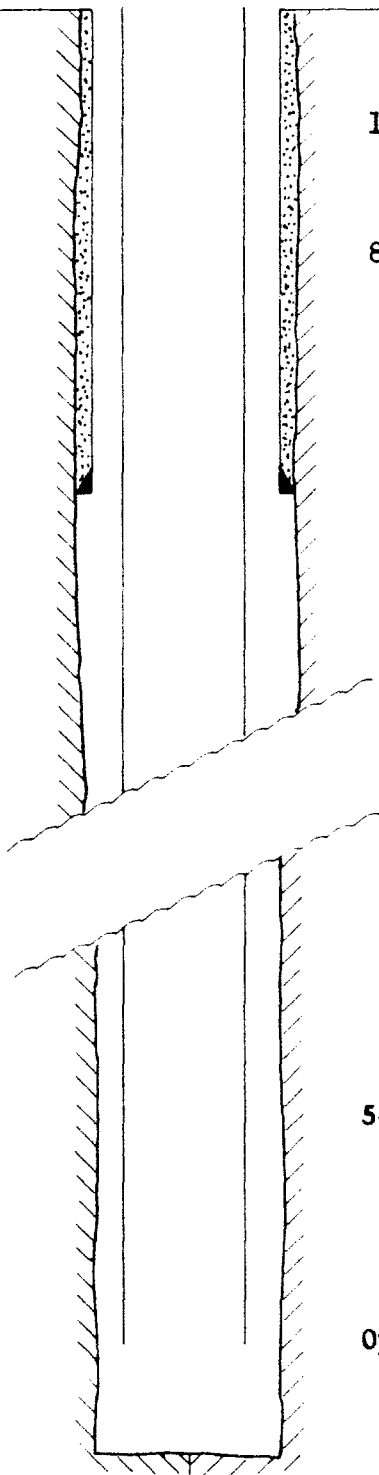
Open Hole 4327'-59'

LITTMAN SAN ANDRES FIELD
LEA COUNTY, NEW MEXICO - ANDREWS COUNTY, TEXAS

OPERATOR Sohio Petroleum Company LEASE NuMex WELL 2

LOCATION 1650' FEL, 330' FNL, Sec. 16-T21S-R38E, Lea County, New Mexico

Surface:



13-3/8" Csg. @ 150' with 160 Sacks

8-5/8" Csg. @ 1620' with 250 Sacks

Production Tubing:

2" @ 4339'

5-1/2" Csg. @ 4330' with 450 Sacks

Open Hole 4330'-58'

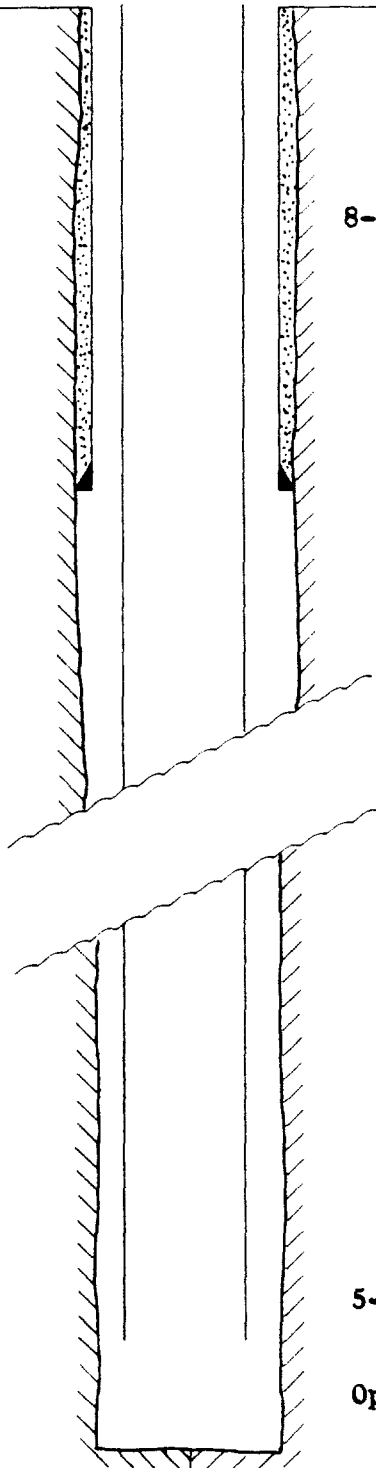
LITTMAN SAN ANDRES FIELD

LEA COUNTY, NEW MEXICO - ANDREWS COUNTY, TEXAS

OPERATOR Sohio Petroleum Company LEASE Littman WELL 2

LOCATION 2173' FSL & 2027' FEL, Sec. 6, Blk. A-29, PSL Sur., Andrews County, Texas

Surface



8-5/8" Csg. @ 1636' with 450 Sacks

Production Tubing:

2" @ 4358'

5-1/2" Csg. @ 4321' with 150 Sacks

Open Hole 4321'-58'

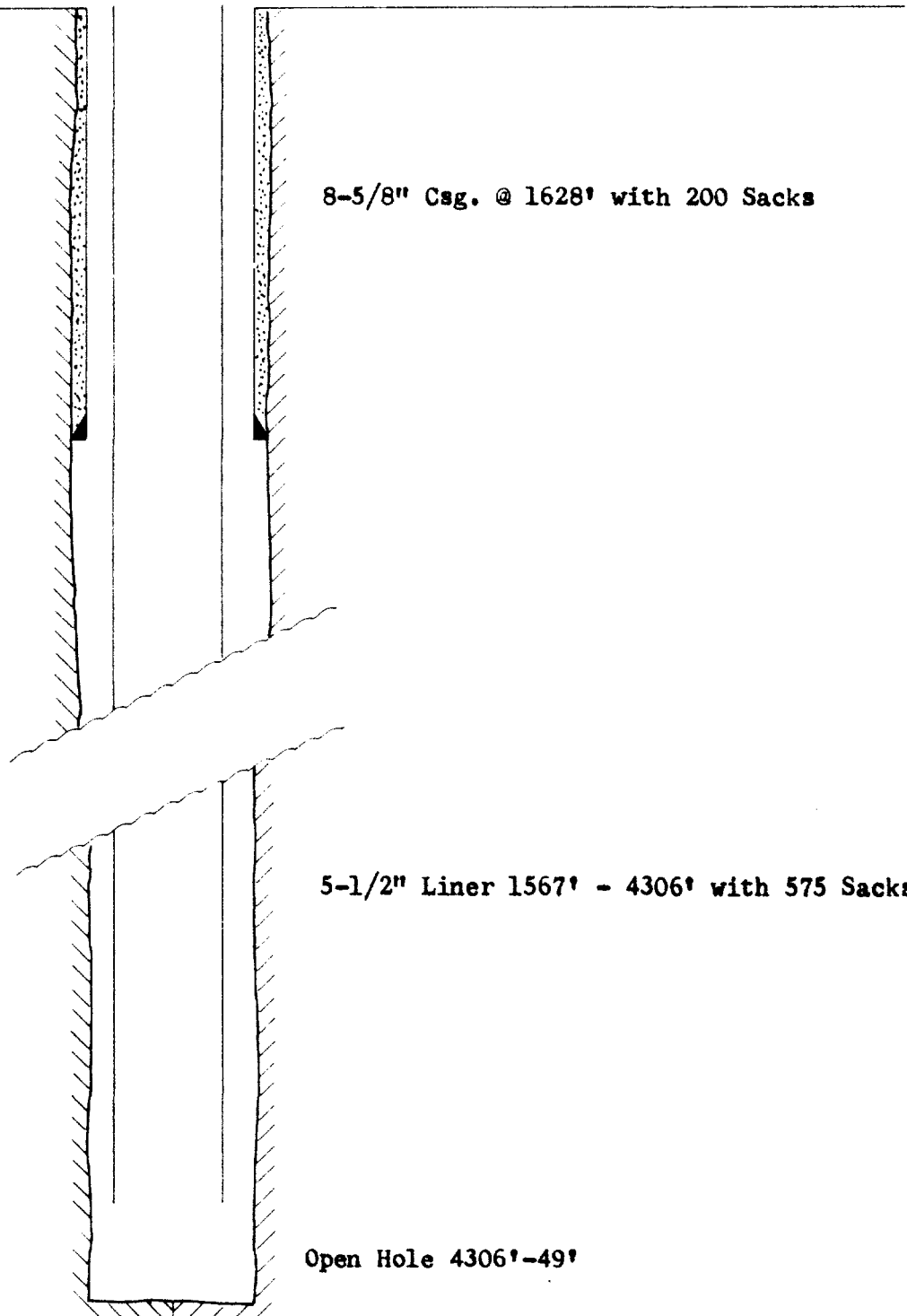
LITTMAN SAN ANDRES FIELD

LEA COUNTY, NEW MEXICO - ANDREWS COUNTY, TEXAS

OPERATOR Sohio Petroleum Company LEASE Littman WELL 3

LOCATION 811' FEL & 880' FSL, Sec. 6, Blk. A-29, PSL Sur., Andrews County, Texas

Surface



8-5/8" Csg. @ 1628' with 200 Sacks

5-1/2" Liner 1567' - 4306' with 575 Sacks

Production Tubing:

2" @ 4347'

Open Hole 4306' - 49'

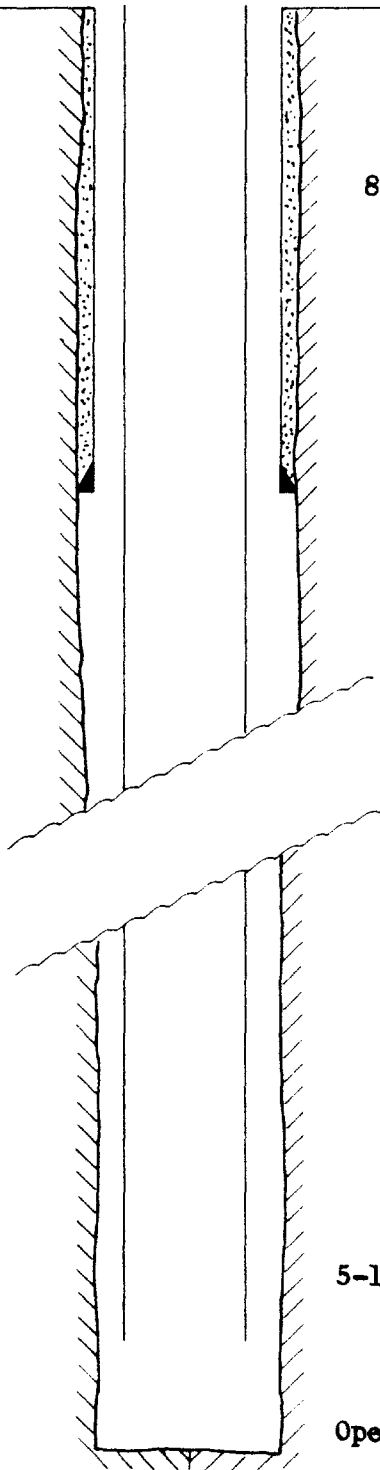
LITTMAN SAN ANDRES FIELD

LEA COUNTY, NEW MEXICO - ANDREWS COUNTY, TEXAS

OPERATOR Sohio Petroleum Company LEASE Littman WELL 6

LOCATION 440' FWL & 2200' FSL, Sec. 6, Blk. A-29, PSL Sur., Andrews County, Texas

Surface



8-5/8" Csg. @ 1625' with 500 sacks

Production Tubing:

2" @ 4350'

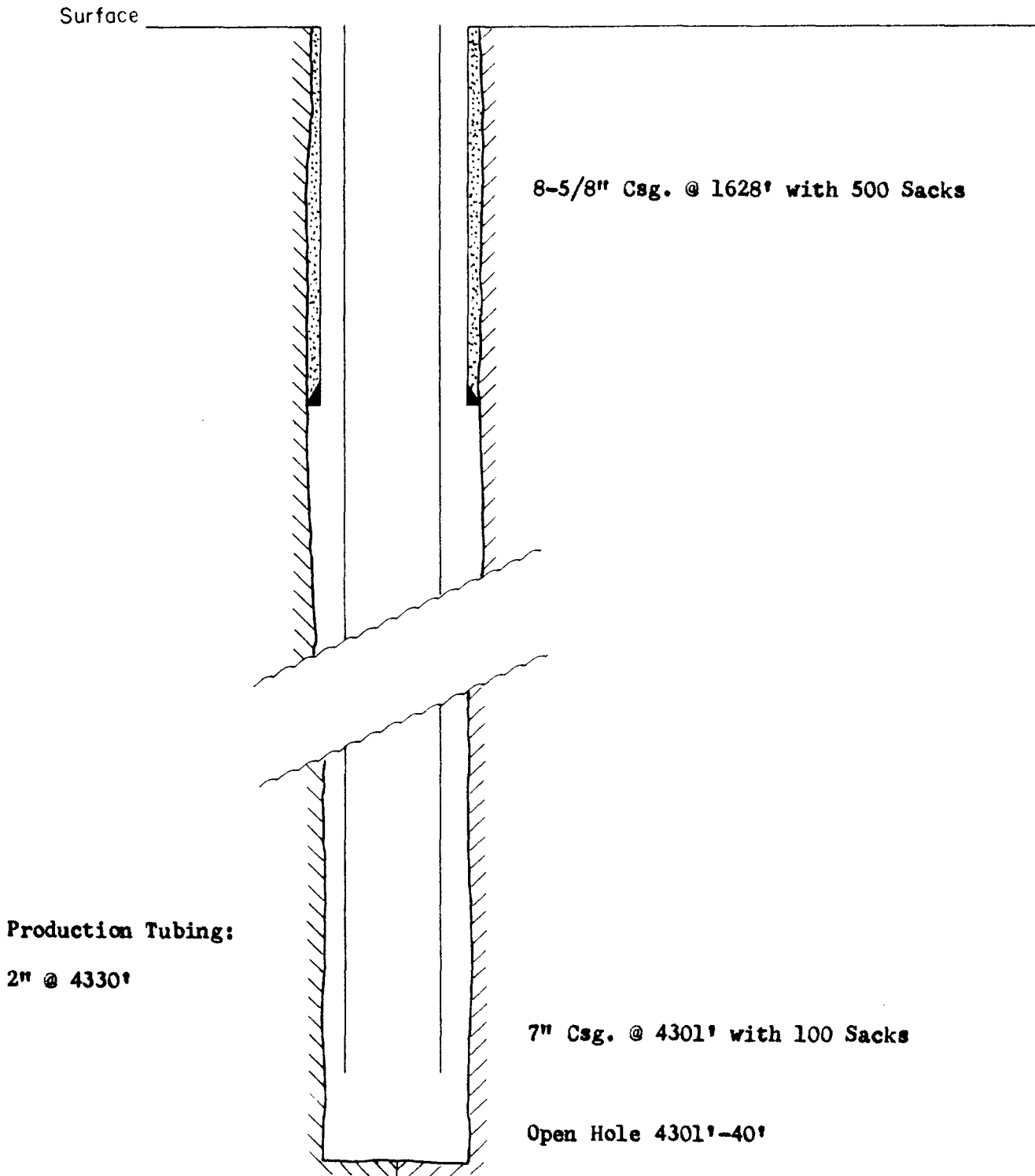
5-1/2" Csg. @ 4323' with 100 sacks

Open Hole 4323'-53'

LITTMAN SAN ANDRES FIELD
LEA COUNTY, NEW MEXICO - ANDREWS COUNTY, TEXAS

OPERATOR Sohio Petroleum Company LEASE Littman "A" WELL 1

LOCATION 467' FNL & 467' FWL, SE/4 NE/4 of Sec. 6, Blk. A-29, PSL Sur.,
Andrews County, Texas



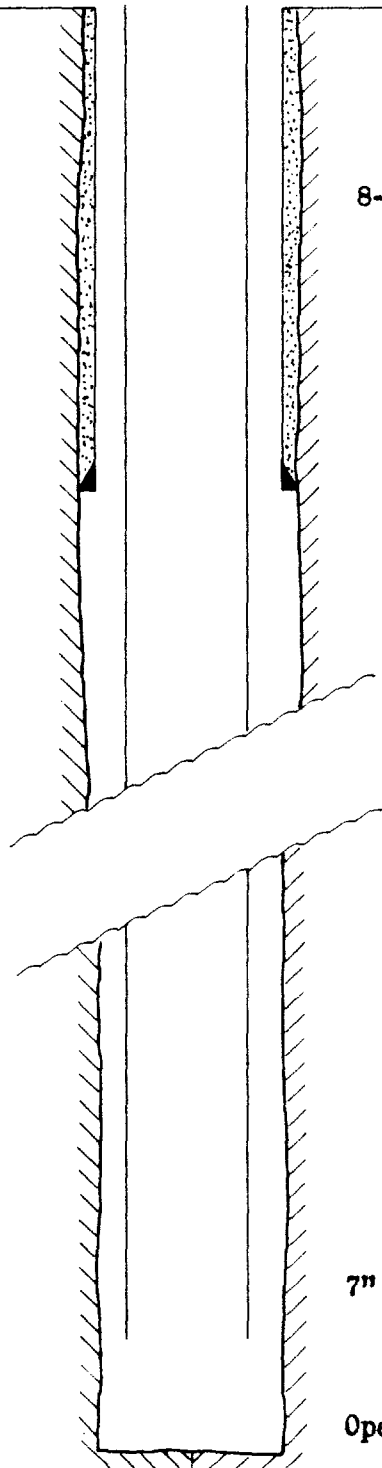
LITTMAN SAN ANDRES FIELD

LEA COUNTY, NEW MEXICO - ANDREWS COUNTY, TEXAS

OPERATOR Sohio Petroleum Company LEASE Littman "A" WELL 4

LOCATION 2062' FEL & 440' FNL, Sec. 6, Blk. A-29, PSL Sur., Andrews County, Texas

Surface



8-5/8" Csg. @ 1635'

Production Tubing:

2" @ 4358'

7" Csg. @ 4329' with 300 Sacks

Open Hole 4329'-51'

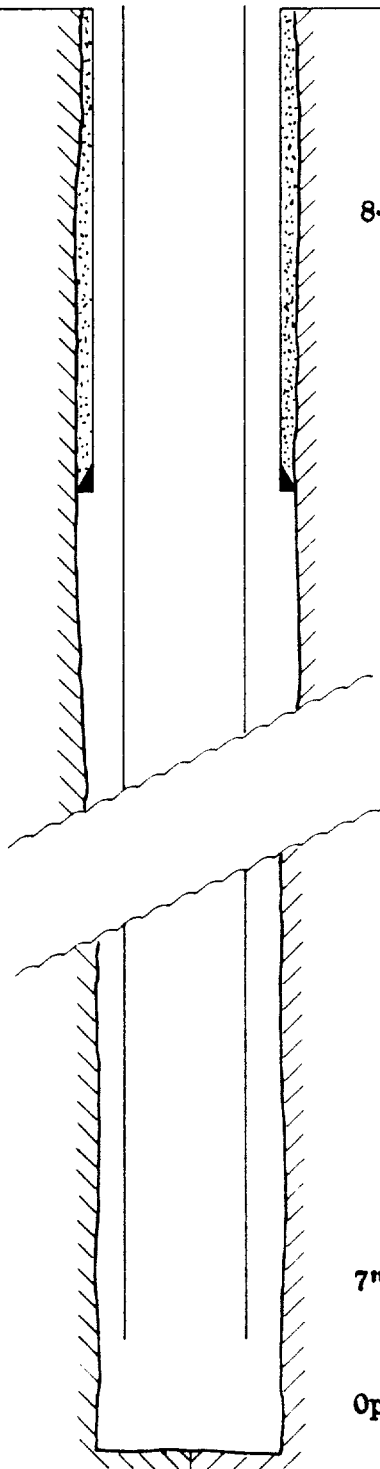
LITTMAN SAN ANDRES FIELD

LEA COUNTY, NEW MEXICO - ANDREWS COUNTY, TEXAS

OPERATOR Sohio Petroleum Company LEASE Littman "A" WELL 5

LOCATION 1760' FNL & 1691' FWL, Sec. 6, Blk. A-29, PSL Sur., Andrews County, Texas

Surface



8-5/8" Csg. @ 1622' with 250 Sacks

Production Tubing:

2" @ 4353'

7" Csg. @ 4323' with 125 Sacks

Open Hole 4323'-56'

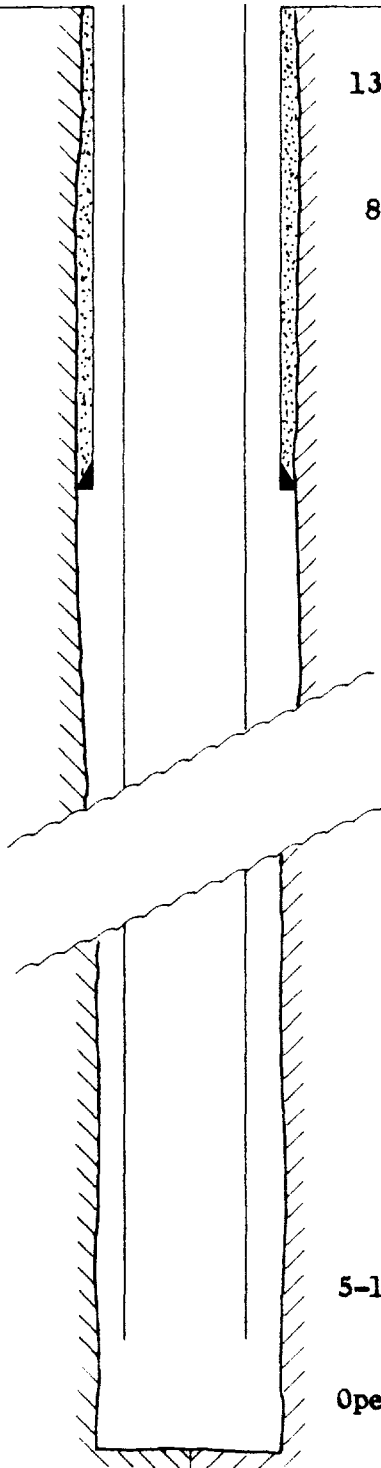
LITTMAN SAN ANDRES FIELD

LEA COUNTY, NEW MEXICO - ANDREWS COUNTY, TEXAS

OPERATOR Sohio Petroleum Company LEASE Littman "B" WELL 1

LOCATION 467' FNL & 467' FWL of S/2 Sec. 7, Blk. A-29, PSL Sur., Andrews County,
Texas

Surface



13-3/8" Csg. @ 160' with 150 Sacks

8-5/8" Csg. @ 1630' with 40 Sacks

Production Tubing:

2" @ 4347'

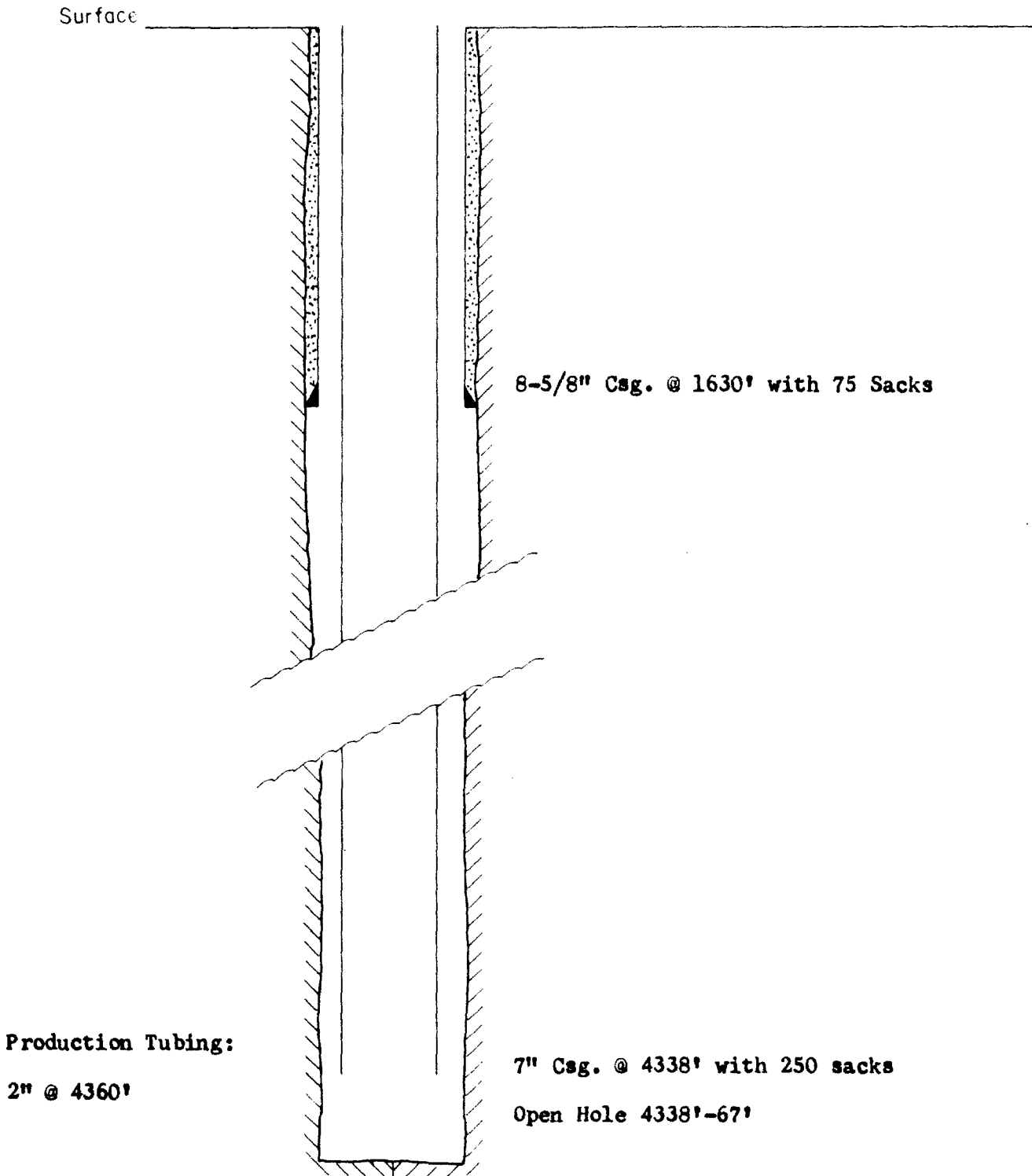
5-1/2" Csg. @ 4315' with 60 Sacks

Open Hole 4315'-51'

LITTMAN SAN ANDRES FIELD
LEA COUNTY, NEW MEXICO - ANDREWS COUNTY, TEXAS

OPERATOR Sohio Petroleum Company LEASE Monarch WELL 1

LOCATION 330' FSL & 1691' FWL, Sec. 5, Blk. A-29, PSL Sur., Andrews County, Texas



8-5/8" Csg. @ 1630' with 75 Sacks

Production Tubing:

2" @ 4360'

7" Csg. @ 4338' with 250 sacks

Open Hole 4338'-67'

LITTMAN SAN ANDRES FIELD

LEA COUNTY, NEW MEXICO - ANDREWS COUNTY, TEXAS

OPERATOR Sohio Petroleum Company LEASE Southland WELL 2

LOCATION 880' FSL & 810' FEL, Sec. 5, Blk. A-29, PSL Sur., Andrews County, Texas

Surface

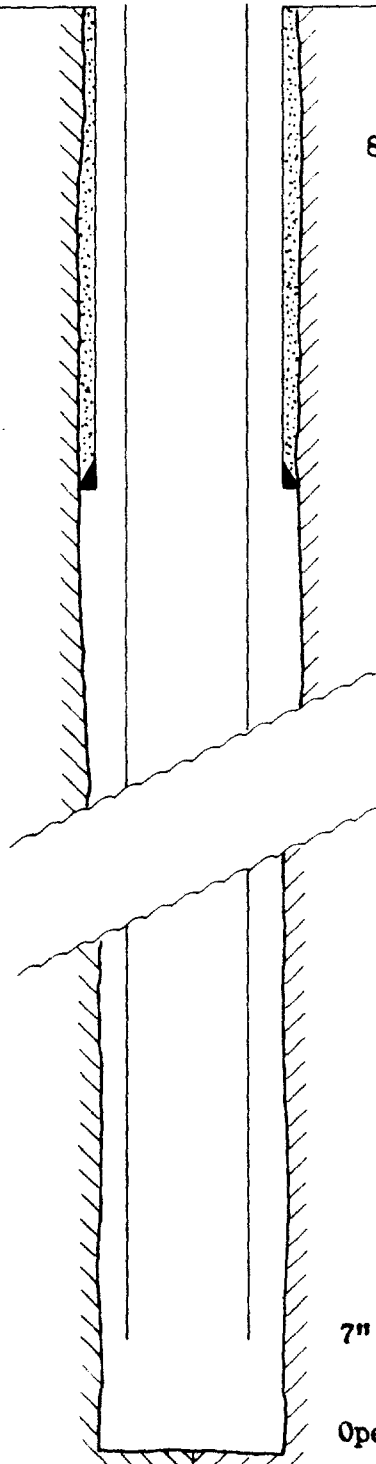
8-5/8" Csg. @ 1635' with 150 Sacks

Production Tubing:

2" @ 4350'

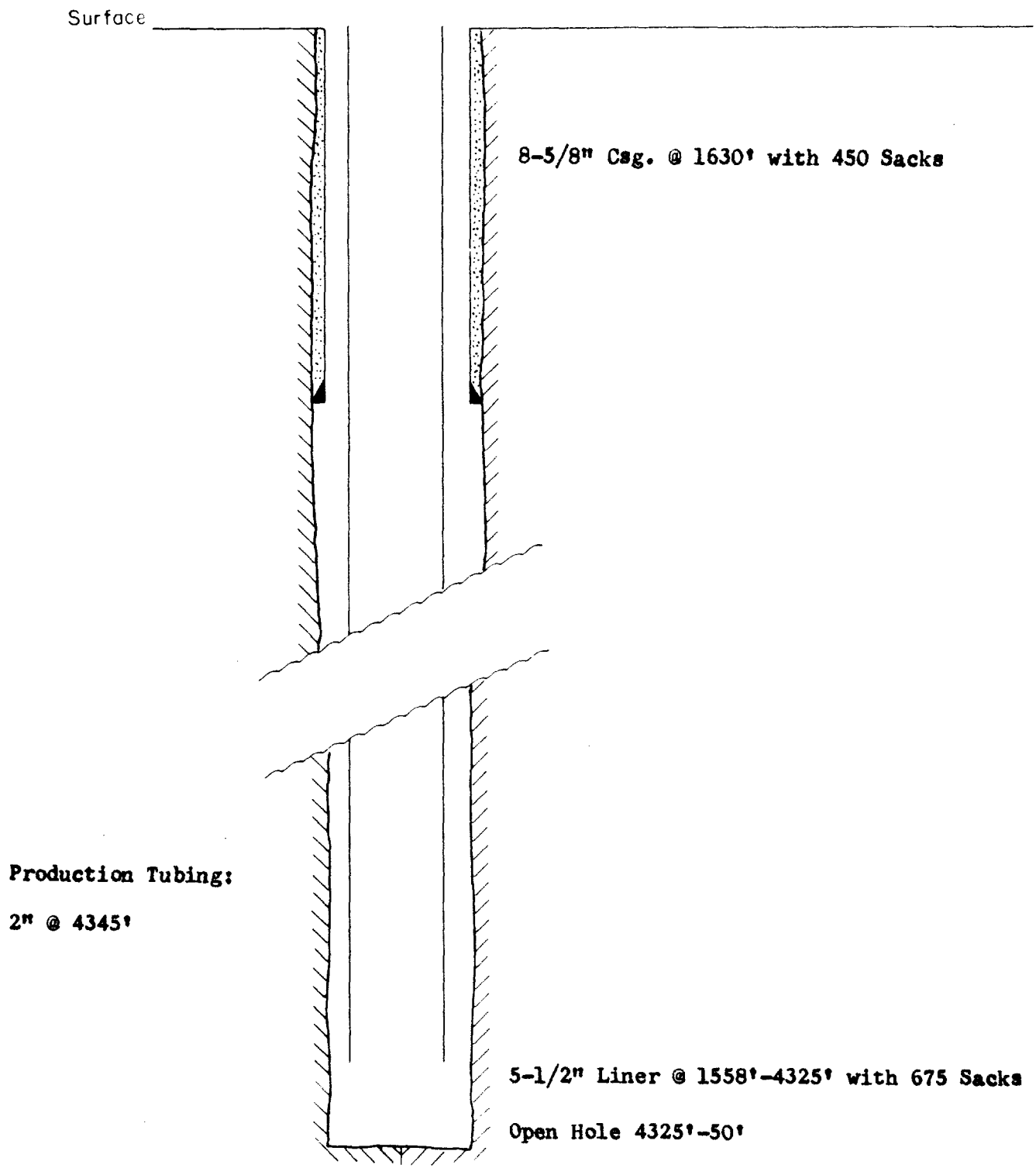
7" Csg. @ 4338' with 50 Sacks

Open Hole 4338'-60'



LITTMAN SAN ANDRES FIELD
LEA COUNTY, NEW MEXICO - ANDREWS COUNTY, TEXAS

OPERATOR Sohio Petroleum Company LEASE Southland WELL 4
LOCATION 1760' FSL & 2060' FEL, Sec. 5, Blk. A-29, PSL Sur., Andrews County, Texas



8-5/8" Csg. @ 1630' with 450 Sacks

Production Tubing:
2" @ 4345'

5-1/2" Liner @ 1558'-4325' with 675 Sacks

Open Hole 4325'-50'