

Exhibits 1 through 5  
Complete Set

---

BEFORE EXAMINER CATANACH  
OIL CONSERVATION DIVISION

Sec. \_\_\_\_\_

*Applicant* No. EXHIBIT NO. 1

of Range No. \_\_\_\_\_

CASE NO. 8914

R17W

R16W

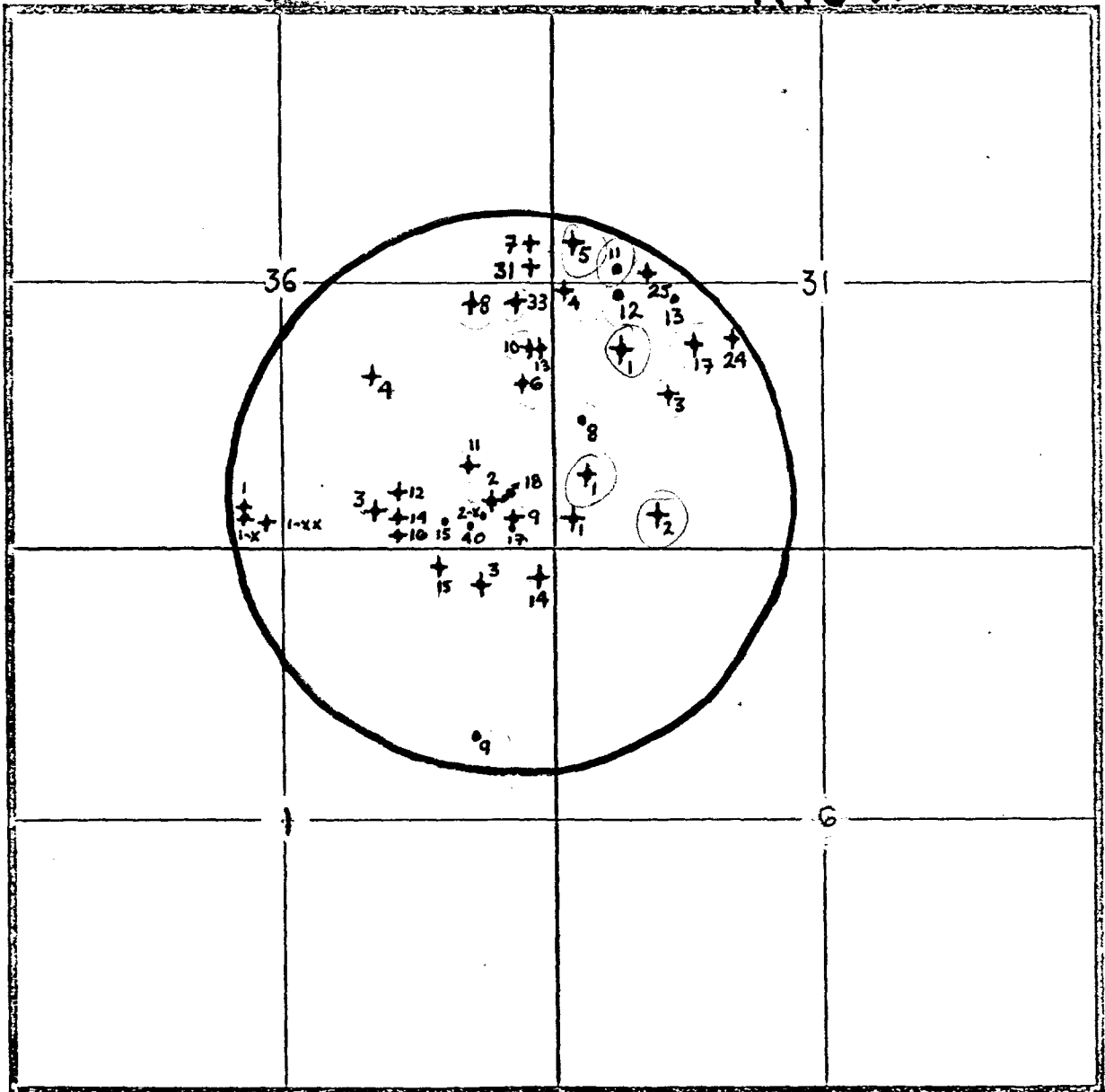
T30N

36

31

T29N

6



ase Energy, Inc.  
01 East 20th Street  
rmington, New Mexico 87401

BEFORE EXAMINER CATANACH  
OIL CONSERVATION DIVISION  
*Applicant* EXHIBIT NO. 2  
CASE NO. 8914

Dugan Production Corp.  
709 Bloomfield Rd.  
Farmington, New Mexico 87401

P22 0279630

RECEIPT FOR CERTIFIED MAIL

NO INSURANCE COVERAGE PROVIDED —  
NOT FOR INTERNATIONAL MAIL  
(See Reverse)

SENT TO	Dugan Production Corp.
STREET AND NO.	709 Bloomfield Rd.
P.O., STATE AND ZIP CODE	Farmington, NM 87401
POSTAGE	\$1.24
CERTIFIED FEE	75¢
SPECIAL DELIVERY	¢
RESTRICTED DELIVERY	¢
SHOW TO WHOM AND DATE DELIVERED	70
SHOW TO WHOM, DATE, AND ADDRESS OF DELIVERY	¢
SHOW TO WHOM AND DATE DELIVERED WITH RESTRICTED DELIVERY	¢
SHOW TO WHOM, DATE AND ADDRESS OF DELIVERY WITH RESTRICTED DELIVERY	¢
TOTAL POSTAGE AND FEES	\$2.69
POSTMARK OR DATE	3/10/86

PS Form 3800, Apr. 1976

**CERTIFIED**  
P22 0279630  
**MAIL**

Chase Energy, Inc.  
2501 East 20th Street  
Farmington, New Mexico 87401

P22 0279629

RECEIPT FOR CERTIFIED MAIL

NO INSURANCE COVERAGE PROVIDED—  
NOT FOR INTERNATIONAL MAIL  
(See Reverse)

SENT TO	
Navajo Nation Minerals Dept	
STREET AND NO.	
P.O. Box 146	
STATE AND ZIP CODE	
Window Rock, AZ. 86515	
POSTAGE	\$1.24
CERTIFIED FEE	75¢
SPECIAL DELIVERY	¢
RESTRICTED DELIVERY	¢
SHOW TO WHOM AND DATE DELIVERED	70¢
SHOW TO WHOM, DATE AND ADDRESS OF DELIVERY	¢
SHOW TO WHOM AND DATE DELIVERED WITH RESTRICTED DELIVERY	¢
SHOW TO WHOM, DATE AND ADDRESS OF DELIVERY WITH RESTRICTED DELIVERY	¢
OPTIONAL SERVICES	
RETURN RECEIPT SERVICE	
CONSULT POSTMASTER FOR FEES	
TOTAL POSTAGE AND FEES	\$2.69
POSTMARK OR DATE	3/10/86

PS Form 3800, Apr. 1976

BEFORE EXAMINATION  
OIL CONSERVATION DIVISION  
*Appraisals* EXHIBIT NO. 3  
CASE NO. 8914

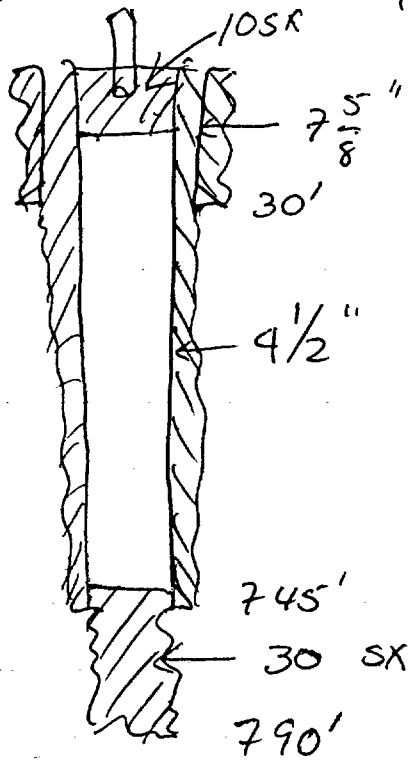
Navajo Nation  
Minerals Department  
P.O. Box 146  
Window Rock, Az. 86515

CERTIFIED

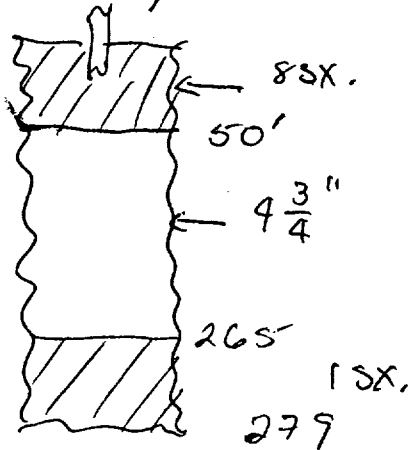
P22 0279629

MAIL

Rijan #1                      330/S    170/W    31-30N-16W  
 Rijan Oil Co.              P&A    2-9-68



Drilling & Coring Expl.    Navajo #1  
 700/S    330/W    31-30N-16W    P&A    3-3-61



BEFORE EXAMINER CATANACH  
 OIL CONSERVATION DIVISION  
 Applicant    EXHIBIT NO. 4  
 CASE NO. 8914

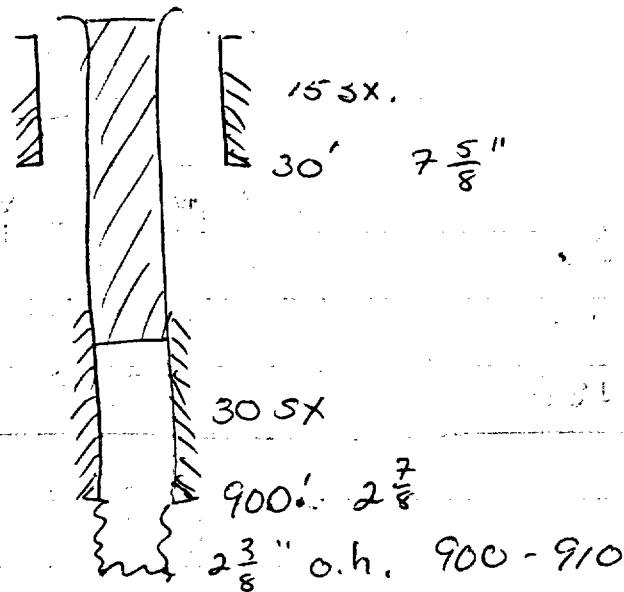
Rijan Oil Co

Rijan # 5

PEA 9-26-68

Len: 31-30N-16W, 2250'/N; 210'/W

60 SX, 650' → Surf. Jet marker



Chase Energy, Inc.

NT #11

Producing Oil Well

Location: Sec. 31, 30N 16W 2475'/N; 660'/W  
5094' GL

Date Drilled: 9/18/70

Completion Data

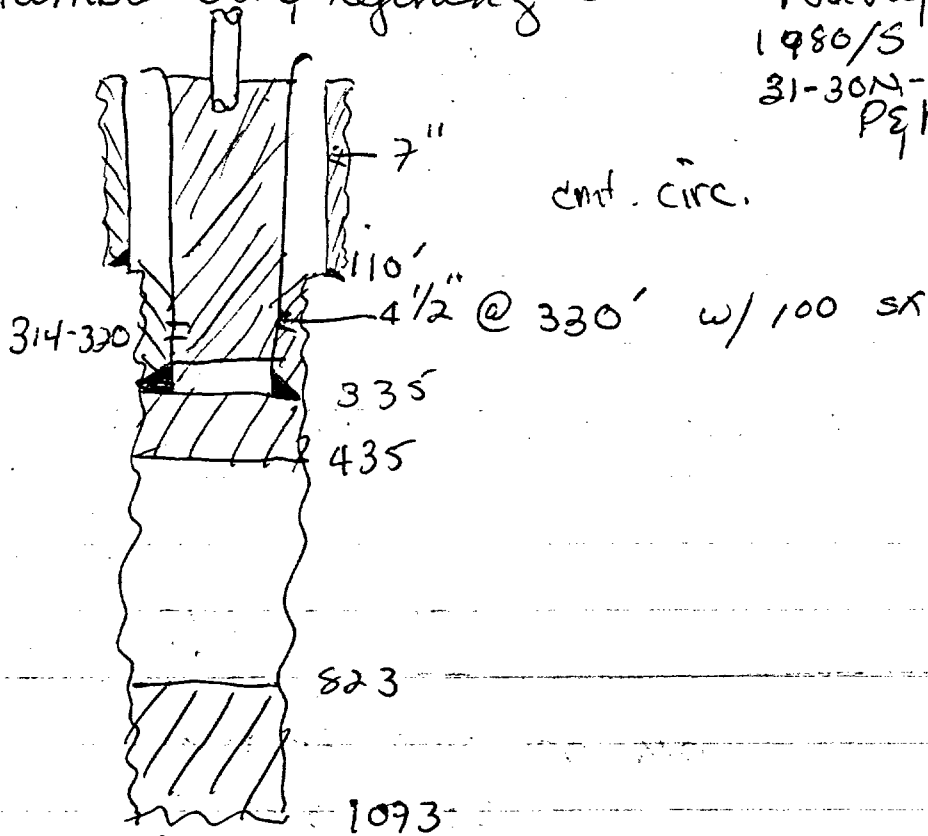
7-5/8" - 17.5 #/FT @ 30' W/ 15 SX.

4 1/2" - 9.5 #/FT @ 842' W/ 60 SX CIRC.

2-3/8" +bg @ 814'

Humble Oil & Refining Co

Navajo Tribe of Inc. "K"  
1980/S 660/W #1  
31-30N-16W  
P&A 6-1-60

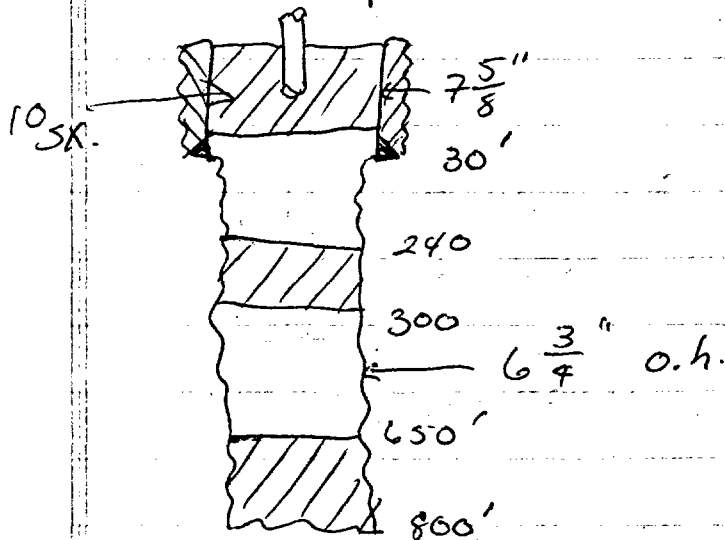


CST Enterp. Inc.

CST #2 330/S 990W

31-30N-16W

P&A 7/5/72



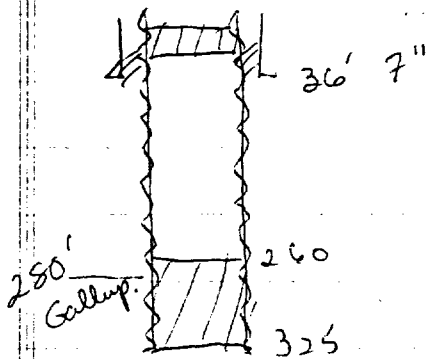
Claude C. Kennedy

Deb #4

Date Plugged: 3-14-67

Locn: 36-30N-17W 1650'S - 1650'E

10 sx. 260'-325', 2 sx. 4'-14'. cut off surface CSG.  
4' below ground level, welded on cap.



Claude C. Kennedy

Deb #14

Date plugged: 3-20-69

Locn: 36-30N-17W 265'S, 1485'E

plugging program unknown



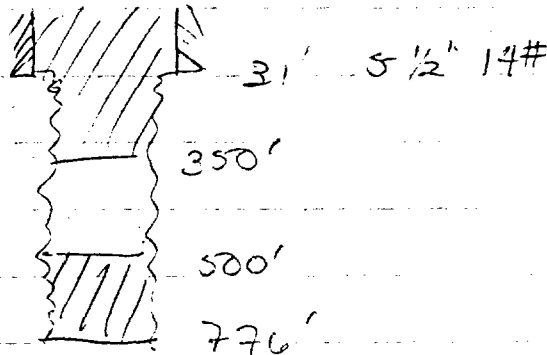
Claude C. Kennedy

Debr #1

Date plugged: 12-16-66

Loc: 36-30N-17W 380'/S, 2280'/W

Cmt. plug 776'-500'. Cmt. plug 350'-surf.



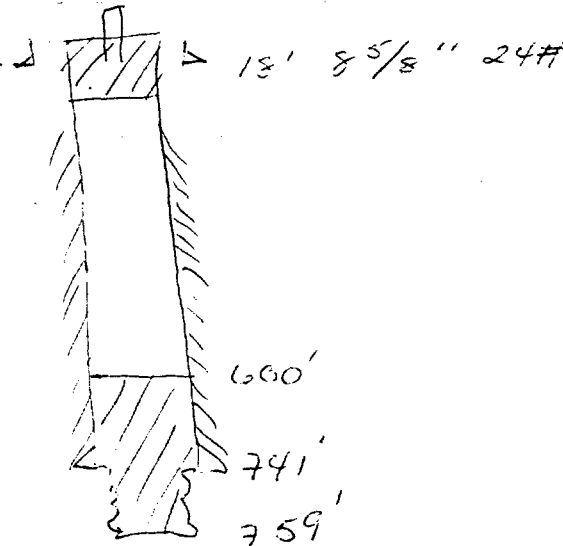
Walter Duncan

North Hogback 1 #15

Date plugged: 4-12-72

Loc. 1-29N-17W 177'/N, 1153'/E

15 SX. 759'-600'. 5 SX 50'-surf.



# AFFIDAVIT OF PUBLICATION

Copy of Publication

No. 18017

STATE OF NEW MEXICO,  
County of San Juan:

Margaret Billingsley being duly

sworn, says: That he is the Sec. to the Publisher of  
THE FARMINGTON DAILY TIMES, a daily newspaper of general circulation  
published in English at Farmington, said county and state, and that the  
hereto attached legal notice

was published in a regular and entire issue of the said FARMINGTON DAILY  
TIMES, a daily newspaper duly qualified for the purpose within the  
meaning of Chapter 167 of the 1937 Session Laws of the State of New  
Mexico for two consecutive (days) (weeks) on the same day as  
follows:

First Publication Tuesday, March 11, 1986

Second Publication Wednesday, March 12, 1986

Third Publication \_\_\_\_\_

Fourth Publication \_\_\_\_\_

and that payment therefor in the amount of \$ 11.77  
has been made.

Margaret Billingsley

Subscribed and sworn to before me this 25th day  
of March, 1986.

Theresa Stewart  
NOTARY PUBLIC, SAN JUAN COUNTY, NEW MEXICO

My Commission expires: Jan 1989

**CRUDE OIL ENERGY UNIT**  
**FARMINGTON, NEW MEXICO**  
APPLICANTS TO OIL CONSERVATION DEB  
18, 201, 211, 221, 231, Section  
26, T20N, R12W, San Juan County,  
New Mexico for water disposal  
well, injection zone Sandrock Da-  
kota, Depth 750' to 758', antici-  
pated rate 25 to 150 BWPD, antici-  
pated pressure 150 PSI. In-  
terested parties must file objec-  
tions or requests for hearing with  
the Oil Conservation Division, PO  
Box 2088, Santa Fe, New Mexico  
87502 within 15 days.  
Legal No. 18017 published in  
the Farmington Daily Times, Farm-  
ington, New Mexico on Tuesday  
and Wednesday, March 11 and 12,  
1986.

BEFORE EXAMINER CATANACH  
OIL CONSERVATION DIVISION  
Applicants EXHIBIT NO. 5  
CASE NO. 8914

NOWSCO SERVICES  
FARMINGTON, NEW MEXICO

API WATER ANALYSIS  
-----

DATE: 2-26-86	TYPE SAMPLE: D E B INJECTION WATER
COMPANY: CHACE	DEPTH: ?
SAMPLE NO.: 1	FORMATION: ?
DATE SAMPLED: 2-24-86	LEASE: ?
COUNTY: ?	SAMPLED BY: CHACE
STATE: ?	REPORT BY: TOM MYERS

DISSOLVED SOLIDS

CATIONS:  
-----

SODIUM AND POTASSIUM (Na AND K)	720.6123 PPM
CALCIUM (Ca)	5.6 PPM
MAGNESIUM (Mg)	3.888 PPM
IRON (Fe)	.3 PPM
BARIUM (Ba)	UNTESTED
TOTAL	730.4003 PPM

ANIONS:  
-----

CHLORIDE (Cl)	38.54 PPM
SULFATE (SO4)	50 PPM
BICARBONATE (HCO3)	1427.4 PPM
CARBONATE (CO3)	192 PPM
TOTAL	1707.94 PPM

TOTAL HARDNESS = 30  
TOTAL DISSOLVED SOLIDS = 2438.34 PPM

SULFIDE, AS H2S = STRONG TRACE  
SPECIFIC GRAVITY = 1.0035 AT 66.5 DEG F  
SPECIFIC GRAVITY CORRECTED TO 60 DEG F = 1.004475  
pH = 9  
RESISTIVITY = 0 OHM-METERS AT 0 DEG F BOTTOM HOLE