

STATE OF NEW MEXICO

ENERGY AND MINERALS DEPARTMENT
OIL CONSERVATION DIVISION



GARREY CARRUTHERS
GOVERNOR

September 6, 1938

POST OFFICE BOX 2389
STATE LAND OFFICE BUILDING
SANTA FE NEW MEXICO 87501
(505) 827-5800

Mr. Thomas Kellahin
Kellahin, Kellahin & Aubrey
Attorneys at Law
Post Office Box 2265
Santa Fe, New Mexico

Re: CASE NO. 9448
ORDER NO. R-8732

Applicant:

Meridian Oil Inc. for El
Paso Natural Gas Company

Dear Sir:

Enclosed herewith are two copies of the above-referenced
Division order recently entered in the subject case.

Sincerely,

Florene Davidson

FLORENE DAVIDSON
OC Staff Specialist

Copy of order also sent to:

Hobbs OCD x
Artesia OCD x
Aztec OCD x

Other Peggy Doak

BLACKWOOD & NICHOLS Co., LTD.

P.O. BOX 1237
DURANGO, COLORADO 81302-1237

(303) 247-0728

May 26, 1988

Case 9448

Mr. William LeMay
New Mexico Oil Conservation Division
P. O. Box 2088
Santa Fe, New Mexico 87501

Re: Nonstandard Location Request
Meridian Oil Company's
San Juan 30-6 Unit No. 465
NE 1/4, Sec. 15, T30N, R7W
Rio Arriba County, New Mexico
Undesignated Fruitland Coal

Dear Mr. LeMay:

Blackwood & Nichols Co., Ltd., as operator of the Northeast Blanco Unit, objects to the referenced well obtaining administrative approval for the proposed nonstandard location and requests the matter be set for hearing. In addition to the Meridian well's location plat, you will find attached an area production plat for your information.

Thank you for your cooperation in this matter.

Sincerely,

BLACKWOOD & NICHOLS CO., LTD.

William F. Clark

William F. Clark
Operations Manager

WFC:ew

Attachments

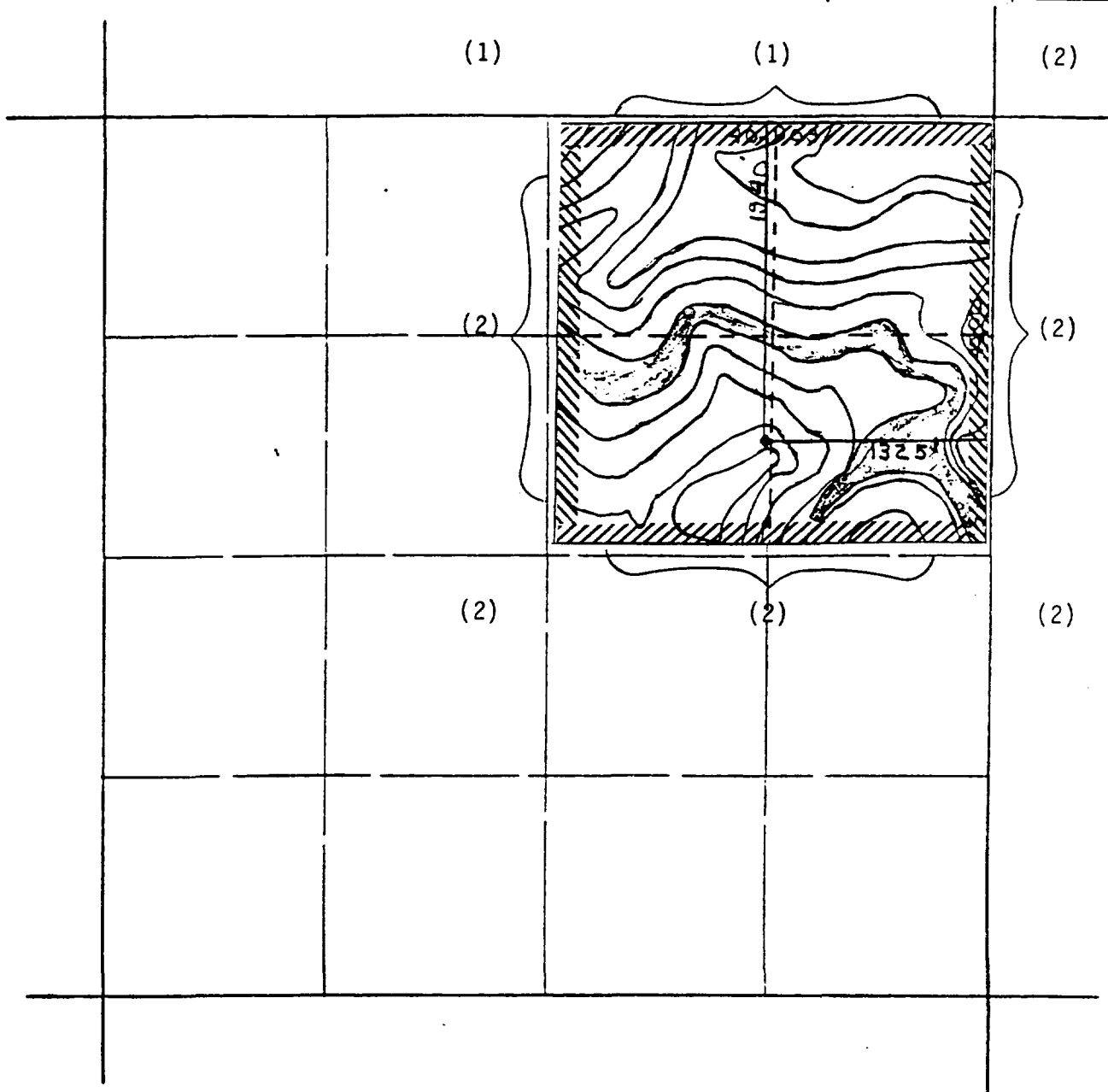
EL PASO NATURAL GAS COMPANY

Well Name San Juan 30-6 Unit #465, Undesignated Fruitland

Footage----- 1940' FNL, 1325' FEL

APPLICATION FOR NON-STANDARD LOCATION

County Rio Arriba State New Mexico Section 15 Township 30N Range 7W



REMARKS:

OFFSET OPERATORS

(1) Blackwood & Nichols, Operator of Northeast Blanco Unit

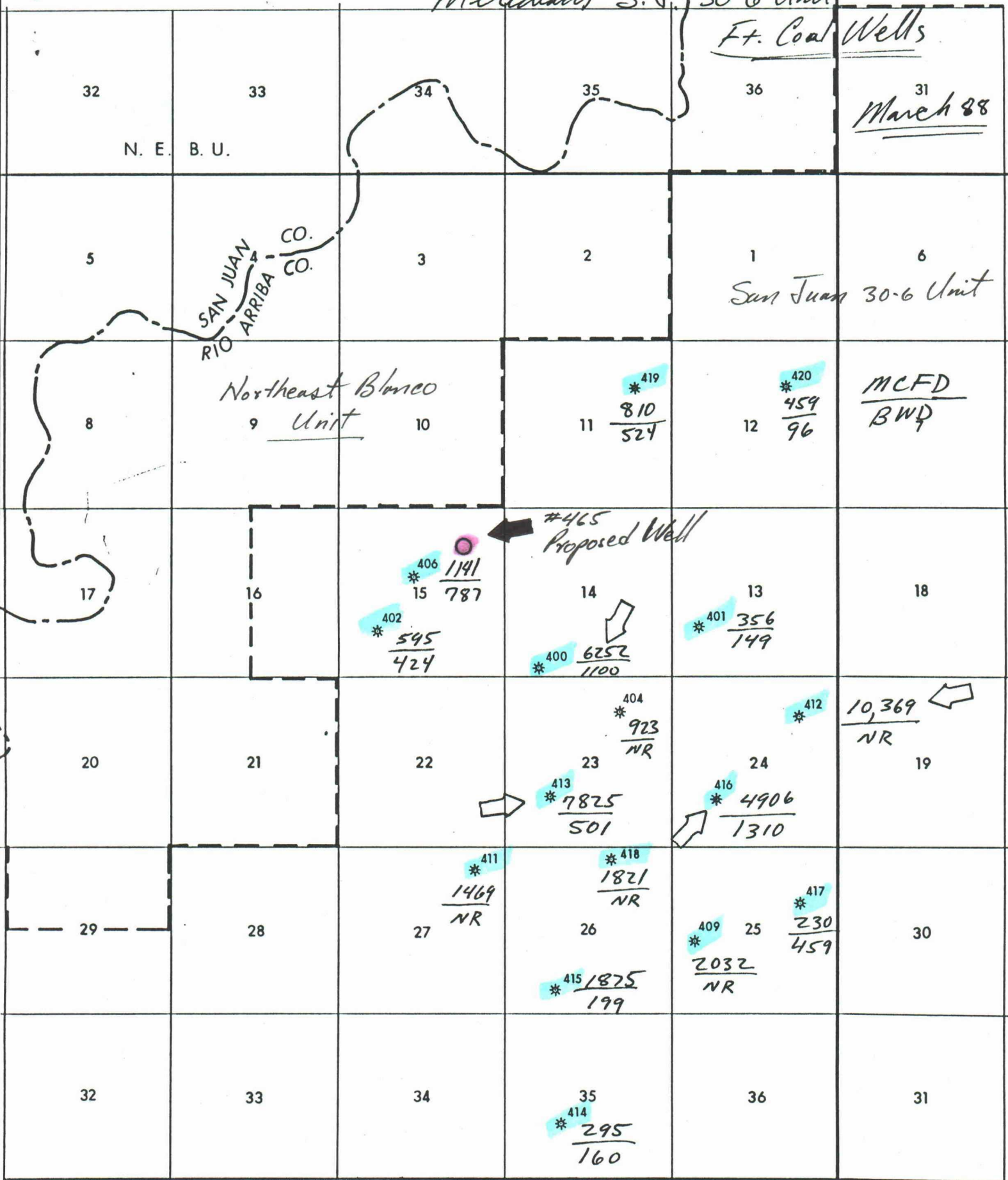
(2) El Paso Natural Gas Company, Operator of San Juan 30-6 Unit

(Handwritten initials)

R-7-W

Meridian S.J. 30-6 Unit

R-6-W



16 Wells
 Total - $\frac{41,358 \text{ mCFD}}{5709 \text{ BWD}}$

WFL 5/2/88 R-6-W

NR- Water Prod Not Reported



STATE OF NEW MEXICO
ENERGY AND MINERALS DEPARTMENT

OIL CONSERVATION DIVISION
AZTEC DISTRICT OFFICE

1000 RIO BRAZOS ROAD
AZTEC, NEW MEXICO 87410
(505) 334-6178

OIL CONSERVATION DIVISION
BOX 2088
SANTA FE, NEW MEXICO 87501

DATE 7-20-88

Case 9448

RE: Proposed MC _____
Proposed DHC _____
Proposed NSL A _____
Proposed SWD _____
Proposed WFX _____
Proposed PMX _____

Gentlemen:

I have examined the application dated 5-17-88

for the McLean Sublet 306 # 465 675-306-70
Operator Lease and Well No. Unit, S-T-R

and my recommendations are as follows:

Approve

Yours truly,

[Signature]