

Form 3160-3  
(June 2015)

FORM APPROVED  
OMB No. 1004-0137  
Expires: January 31, 2018

UNITED STATES  
DEPARTMENT OF THE INTERIOR  
BUREAU OF LAND MANAGEMENT  
**APPLICATION FOR PERMIT TO DRILL OR REENTER**

1a. Type of work: <input checked="" type="checkbox"/> DRILL <input type="checkbox"/> REENTER		5. Lease Serial No. NMNM082896
1b. Type of Well: <input checked="" type="checkbox"/> Oil Well <input type="checkbox"/> Gas Well <input type="checkbox"/> Other		6. If Indian, Allottee or Tribe Name
1c. Type of Completion: <input type="checkbox"/> Hydraulic Fracturing <input checked="" type="checkbox"/> Single Zone <input type="checkbox"/> Multiple Zone		7. If Unit or CA Agreement, Name and No.
2. Name of Operator OXY USA INCORPORATED		8. Lease Name and Well No. NIMITZ MDP1 13 FEDERAL COM 23H
3a. Address 5 Greenway Plaza, Suite 110, Houston, TX 77046	3b. Phone No. (include area code) (713) 366-5716	9. API Well No. 30-015-47238
4. Location of Well (Report location clearly and in accordance with any State requirements. *) At surface SESW / 659 FSL / 1798 FWL / LAT 32.226966 / LONG -103.837104 At proposed prod. zone SESW / 20 FSL / 2250 FWL / LAT 32.210685 / LONG -103.835693		10. Field and Pool, or Exploratory COTTON DRAW BONE SPRING/COTTO
14. Distance in miles and direction from nearest town or post office* 27 miles		11. Sec., T. R. M. or Blk. and Survey or Area SEC 12/T24S/R30E/NMP
15. Distance from proposed* location to nearest property or lease line, ft. (Also to nearest drig. unit line, if any) 20 feet		12. County or Parish EDDY
16. No of acres in lease 880		13. State NM
17. Spacing Unit dedicated to this well 640.0		
18. Distance from proposed location* to nearest well, drilling, completed, applied for, on this lease, ft. 35 feet		20. BLM/BIA Bond No. in file FED: ESB000226
21. Elevations (Show whether DF, KDB, RT, GL, etc.) 3504 feet		22. Approximate date work will start* 12/01/2020
		23. Estimated duration 45 days
24. Attachments		

The following, completed in accordance with the requirements of Onshore Oil and Gas Order No. 1, and the Hydraulic Fracturing rule per 43 CFR 3162.3-3 (as applicable)

- |   |   |
|---|---|
| <ol style="list-style-type: none"> <li>1. Well plat certified by a registered surveyor.</li> <li>2. A Drilling Plan.</li> <li>3. A Surface Use Plan (if the location is on National Forest System Lands, the SUPO must be filed with the appropriate Forest Service Office).</li> </ol> | <ol style="list-style-type: none"> <li>4. Bond to cover the operations unless covered by an existing bond on file (see Item 20 above).</li> <li>5. Operator certification.</li> <li>6. Such other site specific information and/or plans as may be requested by the BLM.</li> </ol> |
|---|---|

25. Signature (Electronic Submission)	Name (Printed/Typed) LESLIE REEVES / Ph: (713) 366-5716	Date 09/24/2019
Title Advisor Regulatory		
Approved by (Signature) (Electronic Submission)	Name (Printed/Typed) Cody Layton / Ph: (575) 234-5959	Date 06/23/2020
Title Assistant Field Manager Lands & Minerals Carlsbad Field Office		

Application approval does not warrant or certify that the applicant holds legal or equitable title to those rights in the subject lease which would entitle the applicant to conduct operations thereon.  
Conditions of approval, if any, are attached.

Title 18 U.S.C. Section 1001 and Title 43 U.S.C. Section 1212, make it a crime for any person knowingly and willfully to make to any department or agency of the United States any false, fictitious or fraudulent statements or representations as to any matter within its jurisdiction.

Entered 6/29/2020 - JAG

(Continued on page 2)



\*(Instructions on page 2)

DISTRICT I  
1625 N. FRENCH DR., HOBBS, NM 88240  
Phone: (575) 393-6161 Fax: (575) 393-0720

DISTRICT II  
611 S. FIRST ST., ARTESIA, NM 88210  
Phone: (575) 746-1283 Fax: (575) 746-9720

DISTRICT III  
1000 RIO BRAZOS RD., AZTEC, NM 87410  
Phone: (505) 334-6178 Fax: (505) 334-6170

DISTRICT IV  
1220 S. ST. FRANCIS DR., SANTA FE, NM 87505  
Phone: (505) 476-3460 Fax: (505) 476-3462

State of New Mexico  
Energy, Minerals & Natural Resources Department  
**OIL CONSERVATION DIVISION**  
1220 SOUTH ST. FRANCIS DR.  
Santa Fe, New Mexico 87505

Form C-102  
Revised August 1, 2011  
Submit one copy to appropriate  
District Office

AMENDED REPORT

WELL LOCATION AND ACREAGE DEDICATION PLAT

API Number 30-015- 47238		Pool Code 13367	Pool Name COTTON DRAW; BONE SPRING
Property Code 319776	Property Name NIMITZ MDP1 13 FEDERAL COM		Well Number 23H
OGRID No. 16696	Operator Name OXY USA INC.		Elevation 3504.0'

Surface Location

UL or lot No.	Section	Township	Range	Lot Idn	Feet from the	North/South line	Feet from the	East/West line	County
N	12	24-S	30-E		659	SOUTH	1798	WEST	EDDY

Bottom Hole Location If Different From Surface

UL or lot No.	Section	Township	Range	Lot Idn	Feet from the	North/South line	Feet from the	East/West line	County
N	13	24-S	30-E		20	SOUTH	2250	WEST	EDDY

Dedicated Acres 160	Joint or Infill	Consolidation Code	Order No.
------------------------	-----------------	--------------------	-----------

NO ALLOWABLE WILL BE ASSIGNED TO THIS COMPLETION UNTIL ALL INTERESTS HAVE BEEN CONSOLIDATED OR A NON-STANDARD UNIT HAS BEEN APPROVED BY THE DIVISION

SURFACE LOCATION  
Y=446658.5 N  
X=694783.4 E  
LAT.=32.226966° N  
LONG.=103.837104° W

KOP  
50' FNL & 2250' FWL  
Y=445950.0 N  
X=695240.3 E  
LAT.=32.225013° N  
LONG.=103.835637° W

FTP  
100' FNL & 2250' FWL  
Y=445900.0 N  
X=695240.4 E  
LAT.=32.224876° N  
LONG.=103.835637° W

LTP  
100' FSL & 2250' FWL  
Y=440817.4 N  
X=695247.0 E  
LAT.=32.210905° N  
LONG.=103.835692° W

\* ALL COORDINATES  
ARE NAD 83 VALUES

POINT LEGEND	
1	Y=446000.7 N X=695656.4 E
2	Y=440718.5 N X=695668.1 E
3	Y=440711.4 N X=692997.1 E
4	Y=443350.3 N X=692993.7 E
5	Y=445996.4 N X=692990.3 E
6	Y=448628.4 N X=692970.7 E

PROPOSED BOTTOM HOLE LOCATION  
Y=440737.4 N  
X=695247.1 E  
LAT.=32.210685° N  
LONG.=103.835693° W

**OPERATOR CERTIFICATION**

I hereby certify that the information herein is true and complete to the best of my knowledge and belief, and that this organization either owns a working interest or unleased mineral interest in the land including the proposed bottom hole location or has a right to drill this well at this location pursuant to a contract with an owner of such mineral or working interest, or to a voluntary pooling agreement or a compulsory pooling order heretofore entered by the division.

*Leslie Reeves* 9/23/19

Signature Date

**LESLIE REEVES**

Printed Name

**LESLIE\_REEVES@OXY.COM**

E-mail Address


**SURVEYOR CERTIFICATION**

I hereby certify that the well location shown on this plat was plotted from field notes of actual surveys made by me or under my supervision, and that the same is true and correct to the best of my belief.

FEBRUARY 2, 2019

Date of Survey

Signature & Seal of Professional Surveyor



*Chad Harcrow* 00/00/19

Certificate No. **CHAD HARCROW 17777**  
W.O. #19-937 DRAWN BY: WN

## Additional Operator Remarks

### Location of Well

0. SHL: SESW / 659 FSL / 1798 FWL / TWSP: 24S / RANGE: 30E / SECTION: 12 / LAT: 32.226966 / LONG: -103.837104 ( TVD: 0 feet, MD: 0 feet )

PPP: SENW / 1330 FNL / 2250 FWL / TWSP: 24S / RANGE: 30E / SECTION: 13 / LAT: 32.221517 / LONG: -103.83565 ( TVD: 8718 feet, MD: 10308 feet )

PPP: NENW / 100 FNL / 2250 FWL / TWSP: 24S / RANGE: 30E / SECTION: 13 / LAT: 32.224876 / LONG: -103.835637 ( TVD: 8718 feet, MD: 9087 feet )

BHL: SESW / 20 FSL / 2250 FWL / TWSP: 24S / RANGE: 30E / SECTION: 13 / LAT: 32.210685 / LONG: -103.835693 ( TVD: 8720 feet, MD: 14250 feet )

### BLM Point of Contact

Name: Tenille Ortiz

Title: Legal Instruments Examiner

Phone: (575) 234-2224

Email: tortiz@blm.gov

CONFIDENTIAL

**PECOS DISTRICT  
SURFACE USE  
CONDITIONS OF APPROVAL**

Proposed Well Name	Surface Hole Location	Legal Location*	Surface Ownership
		Section 12, Township 24 South, Range 30 East	BLM
Nimitz MDP1 12-1 Federal Com 12H	615 FSL 1703 FWL		
Nimitz MDP1 12-1 Federal Com 14H	830 FSL 795 FEL		
Nimitz MDP1 12-1 Federal Com 23H	644 FSL 1766 FWL		
Nimitz MDP1 12-1 Federal Com 25H	830 FSL 830 FEL		
Nimitz MDP1 12-1 Federal Com 26H	830 FSL 730 FEL		
Nimitz MDP1 12-1 Federal Com 43H	674 FSL 1830 FWL		
Nimitz MDP1 12-1 Federal Com 44H	716 FSL 1921 FWL		
Nimitz MDP1 12-1 Federal Com 45H	439 FSL 1138 FEL		
Nimitz MDP1 12-1 Federal Com 46H	115 FSL 140 <u>FEL</u>		
Nimitz MDP1 12-1 Federal Com 171H	275 FSL 667 FWL		
Nimitz MDP1 12-1 Federal Com 172H	585 FSL 1639 FWL		
Nimitz MDP1 12-1 Federal Com 175H	439 FSL 1068 FEL		
Nimitz MDP1 12-1 Federal Com 176H	439 FSL 968 FEL		
Nimitz MDP1 13 Federal Com 12H	630 FSL 1734 FWL		
Nimitz MDP1 13 Federal Com 14H	830 FSL 660 FEL		
Nimitz MDP1 13 Federal Com 23H	659 FSL 1798 FWL		
Nimitz MDP1 13 Federal Com 25H	830 FSL 760 FEL		
Nimitz MDP1 13 Federal Com 26H	830 FSL 695 FEL		
Nimitz MDP1 13 Federal Com 43H	689 FSL 1862 FWL		
Nimitz MDP1 13 Federal Com 44H	704 FSL 1893 FWL		
Nimitz MDP1 13 Federal Com 45H	439 FSL 1103 FEL		
Nimitz MDP1 13 Federal Com 46H	80 FSL 140 FEL		
Nimitz MDP1 13 Federal Com 171H	275 FSL 32 FWL		
Nimitz MDP1 13 Federal Com 172H	600 FSL 1671 FWL		
Nimitz MDP1 13 Federal Com 175H	439 FSL 1033 FEL		
Nimitz MDP1 13 Federal Com 176H	439 FSL 998 FEL		
Nimitz MDP1 12-1 Federal Com 11H	826 FNL 287 FWL		
Nimitz MDP1 13 Federal Com 11H	953 FNL 333 FWL		

Proposed Well Name	Surface Hole Location	Legal Location*	Surface Ownership
Nimitz MDP1 12-1 Federal Com 13H	498 FNL 2405 FWL	Section 13, Township 24 South, Range 30 East	
Nimitz MDP1 13 Federal Com 13H	533 FNL 2405 FWL		
Nimitz MDP1 12-1 Federal Com 21H	798 FNL 276 FWL		
Nimitz MDP1 13 Federal Com 21H	859 FNL 299 FWL		
Nimitz MDP1 12-1 Federal Com 22H	892 FNL 311 FWL		
Nimitz MDP1 13 Federal Com 22H	925 FNL 323 FWL		
Nimitz MDP1 12-1 Federal Com 24H	428 FNL 2405 FWL		
Nimitz MDP1 13 Federal Com 24H	463 FNL 2405 FWL		
Nimitz MDP1 12-1 Federal Com 41H	986 FNL 345 FWL		
Nimitz MDP1 13 Federal Com 41H	1014 FNL 356 FWL		
Nimitz MDP1 13 Federal Com 42H	1080 FNL 380 FWL		
Nimitz MDP1 12-1 Federal Com 42H	1047 FNL 368 FWL		
Nimitz MDP1 12-1 Federal Com 173H	363 FNL 2405 FWL		
Nimitz MDP1 13 Federal Com 173H	328 FNL 2405 FWL		
Nimitz MDP1 12-1 Federal Com 174H	293 FNL 2405 FWL		
Nimitz MDP1 13 Federal Com 174H	393 FNL 2405 FWL		

FSL = feet from south line; FEL = feet from east line; FWL = feet from west line; FNL = feet from north line

\*NMPM

## TABLE OF CONTENTS

Standard Conditions of Approval (COA) apply to this APD. If any deviations to these standards exist or special COAs are required, the section with the deviation or requirement will be checked below.

- General Provisions**
- Permit Expiration**
- Archaeology, Paleontology, and Historical Sites**
- Noxious Weeds**
- Special Requirements**
  - Lesser Prairie-Chicken Timing Stipulations
  - Hydrology
  - Range
  - Potash Resources
- Construction**
  - Notification
  - Topsoil

- Closed Loop System
- Federal Mineral Material Pits
- Well Pads
- Roads
- Road Section Diagram**
- Production (Post Drilling)**
  - Well Structures & Facilities
  - Pipelines
  - Electric Lines
  - Oil and Gas Sites
- Interim Reclamation**
- Final Abandonment & Reclamation**

## **I. GENERAL PROVISIONS**

The approval of the Application For Permit To Drill (APD) is in compliance with all applicable laws and regulations: 43 Code of Federal Regulations 3160, the lease terms, Onshore Oil and Gas Orders, Notices To Lessees, New Mexico Oil Conservation Division (NMOCD) Rules, National Historical Preservation Act As Amended, and instructions and orders of the Authorized Officer. Any request for a variance shall be submitted to the Authorized Officer on Form 3160-5, Sundry Notices and Report on Wells.

## **II. PERMIT EXPIRATION**

If the permit terminates prior to drilling and drilling cannot be commenced within 60 days after expiration, an operator is required to submit Form 3160-5, Sundry Notices and Reports on Wells, requesting surface reclamation requirements for any surface disturbance. However, if the operator will be able to initiate drilling within 60 days after the expiration of the permit, the operator must have set the conductor pipe in order to allow for an extension of 60 days beyond the expiration date of the APD. (Filing of a Sundry Notice is required for this 60 day extension.)

## **III. ARCHAEOLOGICAL, PALEONTOLOGY & HISTORICAL SITES**

Any cultural and/or paleontological resource discovered by the operator or by any person working on the operator's behalf shall immediately report such findings to the Authorized Officer. The operator is fully accountable for the actions of their contractors and subcontractors. The operator shall suspend all operations in the immediate area of such discovery until written authorization to proceed is issued by the Authorized Officer. An evaluation of the discovery shall be made by the Authorized Officer to determine the appropriate actions that shall be required to prevent the loss of significant cultural or scientific values of the discovery. The operator shall be held responsible for the cost of the proper mitigation measures that the Authorized Officer assesses after consultation with the operator on the evaluation and decisions of the discovery. Any unauthorized collection or disturbance of cultural or paleontological resources may result in a shutdown order by the Authorized Officer.

## **IV. NOXIOUS WEEDS**

The operator shall be held responsible if noxious weeds become established within the areas of operations. Weed control shall be required on the disturbed land where noxious weeds exist, which includes the roads, pads, associated pipeline corridor, and adjacent land affected by the establishment of weeds due to this action. The operator shall consult

with the Authorized Officer for acceptable weed control methods, which include following EPA and BLM requirements and policies.



## V. SPECIAL REQUIREMENT(S)

### **Lesser Prairie-Chicken: (Infrastructure within LPC IPA)**

Oil and gas activities will not be allowed in lesser prairie-chicken habitat during the period from March 1st through June 15th annually. During that period, other activities that produce noise or involve human activity, such as the maintenance of oil and gas facilities and pipeline, road, and well pad construction, will be allowed except between 3:00 am and 9:00 am. The 3:00 am to 9:00 am restriction will not apply to normal, around-the-clock operations, such as venting, flaring, or pumping, which do not require a human presence during this period. Normal vehicle use on existing roads will not be restricted.

The Carlsbad Field Office will publish an annual map of where the LPC timing and noise stipulations and conditions of approval (Limitations) will apply for the identified year (between March 1 and June 15) based on the latest survey information. The LPC Timing Area map will identify areas which are Habitat Areas (HA), Isolated Population Area (IPA), and Primary Population Area (PPA). The LPC Timing Area map will also have an area in red crosshatch. The red crosshatch area is the only area where an operator is required to submit a request for exception to the LPC Limitations. If an operator is operating outside the red crosshatch area, the LPC Limitations do not apply for that year and an exception to LPC Limitations is not required.

### **Hydrology:**

The entire well pad(s) will be bermed to prevent oil, salt, and other chemical contaminants from leaving the well pad. The compacted berm shall be constructed at a minimum of 12 inches with impermeable mineral material (e.g. caliche). Topsoil shall not be used to construct the berm. No water flow from the uphill side(s) of the pad shall be allowed to enter the well pad. The integrity of the berm shall be maintained around the surfaced pad throughout the life of the well and around the downsized pad after interim reclamation has been completed. Any water erosion that may occur due to the construction of the well pad during the life of the well will be quickly corrected and proper measures will be taken to prevent future erosion. Stockpiling of topsoil is required. The top soil shall be stockpiled in an appropriate location to prevent loss of soil due to water or wind erosion and not used for berming or erosion control. If fluid collects within the bermed area, the fluid must be vacuumed into a safe container and disposed of properly at a state approved facility.

Tank battery locations will be lined and bermed. A 20 mil permanent liner will be installed with a 4 oz. felt backing to prevent tears or punctures. Tank battery berms must be large enough to contain 1 ½ times the content of the largest tank or 24 hour production, whichever is greater. Automatic shut off, check valves, or similar systems will be installed for tanks to minimize the effects of catastrophic line failures used in production or drilling.

When crossing ephemeral drainages the pipeline(s) will be buried to a minimum depth of 48 inches from the top of pipe to ground level. Erosion control methods such as gabions and/or rock aprons should be placed on both up and downstream sides of the pipeline crossing. In addition, curled (weed free) wood/straw fiber wattles/logs and/or silt fences should be placed on the downstream side for sediment control during construction and maintained until soils and vegetation have stabilized. Water bars should be placed within the ROW to divert and dissipate surface runoff. A pipeline access road is not permitted to cross these ephemeral drainages. Traffic should be diverted to a preexisting route. Additional seeding may be required in floodplains and drainages to restore energy dissipating vegetation.

Any water erosion that may occur due to the construction of overhead electric line and during the life of the power line will be quickly corrected and proper measures will be taken to prevent future erosion. A power pole should not be placed in drainages, playas, wetlands, riparian areas, or floodplains and must span across the features at a distance away that would not promote further erosion.

Playa (PL-01) Specific Mitigation:

Once the proposed ROW is complete, barricades will be placed on the north and south sides of the playa to prevent impacts from vehicular travel.

#### **Temporary Fence Crossing Requirement**

Where entry is granted across a fence line, the fence must be braced and tied off on both sides of the passageway with H-braces prior to cutting. A wire gate would be installed in the fence opening during infrastructure installation to prevent livestock from crossing the fence. The gate would be in place during construction inactivity. Once the work is completed, the fence will be restored to its prior condition, or better. The operator shall notify the private surface landowner or the grazing allotment holder prior to crossing any fences.

#### **Cattle Guard Requirement**

Where entry is granted across a fence line for an access road, the fence must be braced and tied off on both sides of the passageway with H-braces prior to cutting. Once the work is completed, the fence will be restored to its prior condition with an appropriately sized cattle guard sufficient to carry out the project. Any new or existing cattle guards on the access route shall be repaired or replaced if they are damaged or have deteriorated beyond practical use. The operator shall be responsible for the condition of the existing cattle guards that are in place and are utilized during lease operations. Once the road is abandoned, the fence would be restored to its prior condition, or better. The operator shall notify the private surface landowner or the grazing allotment holder prior to crossing any fences.

### **Livestock Watering Requirement**

Structures that provide water to livestock, such as windmills, pipelines, drinking troughs, and earthen reservoirs, will be avoided by moving the proposed action.

The operator must contact the allotment holder prior to construction to identify the location of the pipeline. The operator must take measures to protect the pipeline from compression or other damages. If the pipeline is damaged or compromised in any way near the proposed project as a result of oil and gas activity, the operator is responsible for repairing the pipeline immediately. The operator must notify the BLM office (575-234-5972) and the private surface landowner or the grazing allotment holder if any damage occurs to structures that provide water to livestock.

### **Potash Resources**

Lessees must comply with the 2012 Secretarial Potash Order. The Order is designed to manage the efficient development of oil, gas, and potash resources. Section 6 of the Order provides general provisions which must be followed to minimize conflict between the industries and ensure the safety of operations. To minimize impacts to potash resources, the proposed Nimitz 12-1 Federal Com wells are confined within the boundaries of the established Nimitz 12-1 Federal Drill Island.

## **VI. CONSTRUCTION**

### **A. NOTIFICATION**

The BLM shall administer compliance and monitor construction of the access road and well pad. Notify the at least 3 working days prior to commencing construction of the access road and/or well pad.

When construction operations are being conducted on this well, the operator shall have the approved APD and Conditions of Approval (COA) on the well site and they shall be made available upon request by the Authorized Officer.

### **B. TOPSOIL**

The operator shall strip the top portion of the soil (root zone) from the entire well pad area and stockpile the topsoil along the edge of the well pad as depicted in the APD. The root zone is typically six (6) inches in depth. All the stockpiled topsoil will be redistributed over the interim reclamation areas. Topsoil shall not be used for berming the pad or facilities. For final reclamation, the topsoil shall be spread over the entire pad area for seeding preparation.

Other subsoil (below six inches) stockpiles must be completely segregated from the topsoil stockpile. Large rocks or subsoil clods (not evident in the surrounding terrain) must be buried within the approved area for interim and final reclamation.

### **C. CLOSED LOOP SYSTEM**

Tanks are required for drilling operations: No Pits.

The operator shall properly dispose of drilling contents at an authorized disposal site.

### **D. FEDERAL MINERAL MATERIALS PIT**

Payment shall be made to the BLM prior to removal of any federal mineral materials. Call the .

### **E. WELL PAD SURFACING**

Surfacing of the well pad is not required.

If the operator elects to surface the well pad, the surfacing material may be required to be removed at the time of reclamation. The well pad shall be constructed in a manner which

creates the smallest possible surface disturbance, consistent with safety and operational needs.

#### **F. EXCLOSURE FENCING (CELLARS & PITS)**

##### **Exclosure Fencing**

The operator will install and maintain exclosure fencing for all open well cellars to prevent access to public, livestock, and large forms of wildlife before and after drilling operations until the pit is free of fluids and the operator initiates backfilling. (For examples of exclosure fencing design, refer to BLM's Oil and Gas Gold Book, Exclosure Fence Illustrations, Figure 1, Page 18.)

#### **G. ON LEASE ACCESS ROADS**

##### **Road Width**

The access road shall have a driving surface that creates the smallest possible surface disturbance and does not exceed fourteen (14) feet in width. The maximum width of surface disturbance, when constructing the access road, shall not exceed twenty-five (25) feet.

##### **Surfacing**

Surfacing material is not required on the new access road driving surface. If the operator elects to surface the new access road or pad, the surfacing material may be required to be removed at the time of reclamation.

Where possible, no improvements should be made on the unsurfaced access road other than to remove vegetation as necessary, road irregularities, safety issues, or to fill low areas that may sustain standing water.

The Authorized Officer reserves the right to require surfacing of any portion of the access road at any time deemed necessary. Surfacing may be required in the event the road deteriorates, erodes, road traffic increases, or it is determined to be beneficial for future field development. The surfacing depth and type of material will be determined at the time of notification.

##### **Crowning**

Crowning shall be done on the access road driving surface. The road crown shall have a grade of approximately 2% (i.e., a 1" crown on a 14' wide road). The road shall conform to Figure 1; cross section and plans for typical road construction.

##### **Ditching**

Ditching shall be required on both sides of the road.

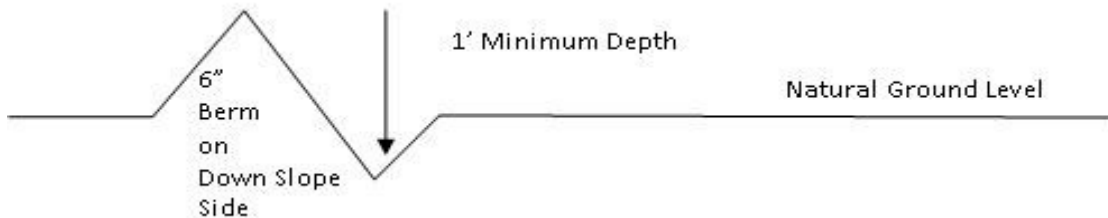
##### **Turnouts**

Vehicle turnouts shall be constructed on the road. Turnouts shall be intervisible with interval spacing distance less than 1000 feet. Turnouts shall conform to Figure 1; cross section and plans for typical road construction.

### **Drainage**

Drainage control systems shall be constructed on the entire length of road (e.g. ditches, sidehill outsloping and insloping, leadoff ditches, culvert installation, and low water crossings).

A typical lead-off ditch has a minimum depth of 1 foot below and a berm of 6 inches above natural ground level. The berm shall be on the down-slope side of the lead-off ditch.



All lead-off ditches shall be graded to drain water with a 1 percent minimum to 3 percent maximum ditch slope. The spacing interval are variable for lead-off ditches and shall be determined according to the formula for spacing intervals of lead-off ditches, but may be amended depending upon existing soil types and centerline road slope (in %);

### **Cattle guards**

An appropriately sized cattle guard sufficient to carry out the project shall be installed and maintained at fence/road crossings. Any existing cattle guards on the access road route shall be repaired or replaced if they are damaged or have deteriorated beyond practical use. The operator shall be responsible for the condition of the existing cattle guards that are in place and are utilized during lease operations.

### **Fence Requirement**

Where entry is granted across a fence line, the fence shall be braced and tied off on both sides of the passageway prior to cutting. The operator shall notify the private surface landowner or the grazing allotment holder prior to crossing any fences.

### **Public Access**

Public access on this road shall not be restricted by the operator without specific written approval granted by the Authorized Officer.

**Construction Steps**

1. Salvage topsoil
2. Construct road

3. Redistribute topsoil
4. Revegetate slopes

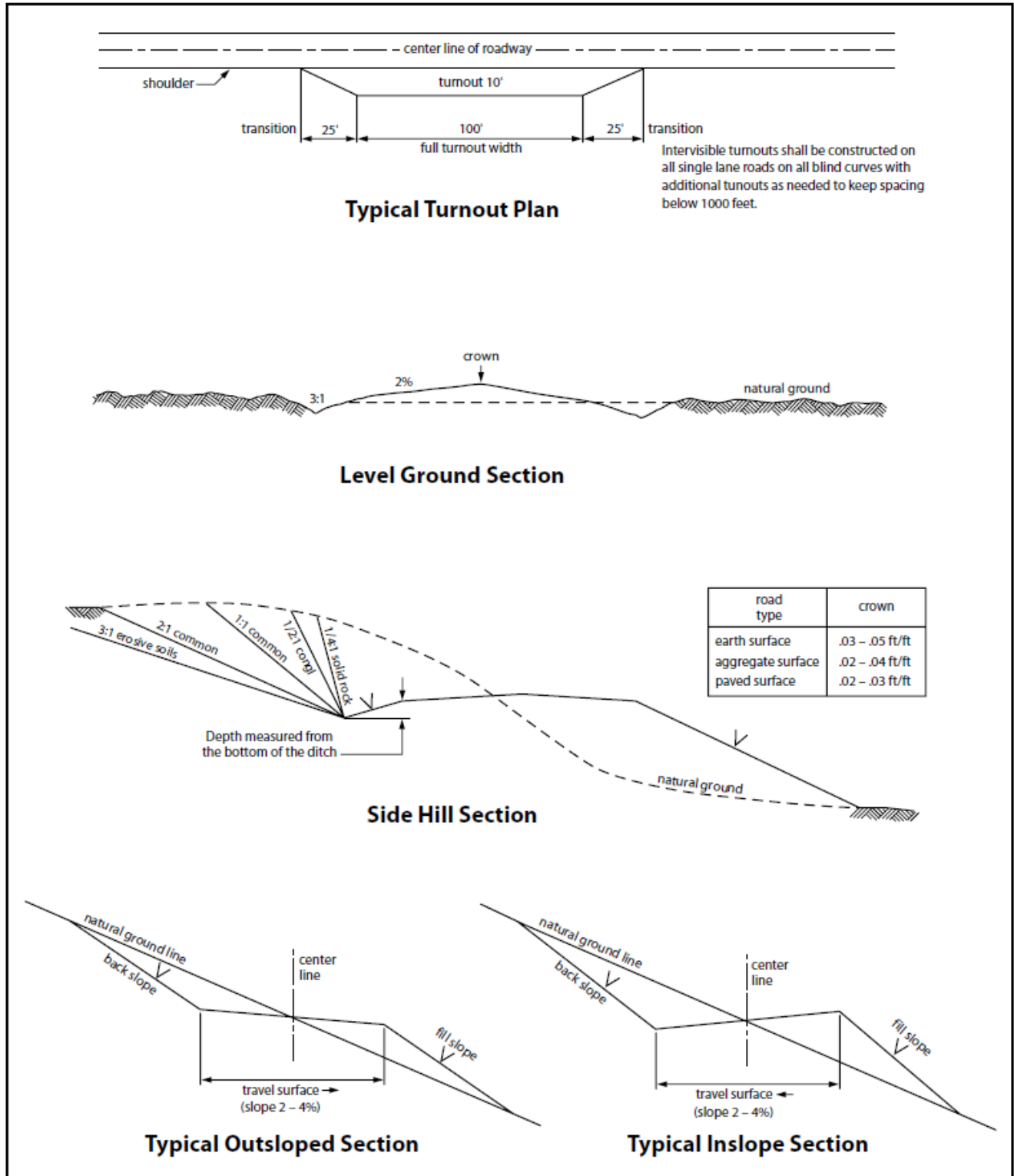


Figure 1. Cross-sections and plans for typical road sections representative of BLM resource or FS local and higher-class roads.



## **VII. PRODUCTION (POST DRILLING)**

### **A. WELL STRUCTURES & FACILITIES**

#### **Placement of Production Facilities**

Production facilities should be placed on the well pad to allow for maximum interim recontouring and revegetation of the well location.

#### **Exclosure Netting (Open-top Tanks)**

Immediately following active drilling or completion operations, the operator will take actions necessary to prevent wildlife and livestock access, including avian wildlife, to all open-topped tanks that contain or have the potential to contain salinity sufficient to cause harm to wildlife or livestock, hydrocarbons, or Resource Conservation and Recovery Act of 1976-exempt hazardous substances. At a minimum, the operator will net, screen, or cover open-topped tanks to exclude wildlife and livestock and prevent mortality. If the operator uses netting, the operator will cover and secure the open portion of the tank to prevent wildlife entry. The operator will net, screen, or cover the tanks until the operator removes the tanks from the location or the tanks no longer contain substances that could be harmful to wildlife or livestock. Use a maximum netting mesh size of 1 ½ inches. The netting must not be in contact with fluids and must not have holes or gaps.

#### **Chemical and Fuel Secondary Containment and Exclosure Screening**

The operator will prevent all hazardous, poisonous, flammable, and toxic substances from coming into contact with soil and water. At a minimum, the operator will install and maintain an impervious secondary containment system for any tank or barrel containing hazardous, poisonous, flammable, or toxic substances sufficient to contain the contents of the tank or barrel and any drips, leaks, and anticipated precipitation. The operator will dispose of fluids within the containment system that do not meet applicable state or U. S. Environmental Protection Agency livestock water standards in accordance with state law; the operator must not drain the fluids to the soil or ground. The operator will design, construct, and maintain all secondary containment systems to prevent wildlife and livestock exposure to harmful substances. At a minimum, the operator will install effective wildlife and livestock exclosure systems such as fencing, netting, expanded metal mesh, lids, and grate covers. Use a maximum netting mesh size of 1 ½ inches.

#### **Open-Vent Exhaust Stack Exclosures**

The operator will construct, modify, equip, and maintain all open-vent exhaust stacks on production equipment to prevent birds and bats from entering, and to discourage perching, roosting, and nesting. (*Recommended exclosure structures on open-vent exhaust stacks are in the shape of a cone.*) Production equipment includes, but may not be limited to, tanks, heater-treaters, separators, dehydrators, flare stacks, in-line units, and compressor mufflers.

#### **Containment Structures**

Proposed production facilities such as storage tanks and other vessels will have a secondary containment structure that is constructed to hold the capacity of 1.5 times the largest tank, plus freeboard to account for precipitation, unless more stringent protective requirements are deemed necessary.

### **Painting Requirement**

All above-ground structures including meter housing that are not subject to safety requirements shall be painted a flat non-reflective paint color, **Shale Green** from the BLM Standard Environmental Color Chart (CC-001: June 2008).

## **B. PIPELINES**

### **BURIED PIPELINE STIPULATIONS**

A copy of the application (Grant, APD, or Sundry Notice) and attachments, including conditions of approval, survey plat and/or map, will be on location during construction. BLM personnel may request to you a copy of your permit during construction to ensure compliance with all stipulations.

Holder agrees to comply with the following stipulations to the satisfaction of the Authorized Officer:

1. The Holder shall indemnify the United States against any liability for damage to life or property arising from the occupancy or use of public lands under this grant.
2. The Holder shall comply with all applicable Federal laws and regulations existing or hereafter enacted or promulgated. In any event, the holder shall comply with the Toxic Substances Control Act of 1976 as amended, 15 USC 2601 et seq. (1982) with regards to any toxic substances that are used, generated by or stored on the right-of-way or on facilities authorized under this right-of-way grant. (See 40 CFR Part 702-799 and especially, provisions on polychlorinated biphenyls, 40 CFR 761.1-761.193.) Additionally, any release of toxic substances (leaks, spills, etc.) in excess of the reportable quantity established by 40 CFR Part 117 shall be reported as required by the Comprehensive Environmental Response, Compensation, and Liability Act, section 102b. A copy of any report required or requested by any Federal agency or State government as a result of a reportable release or spill of any toxic substances shall be furnished to the authorized officer concurrent with the filing of the reports to the involved Federal agency or State government.
3. The holder agrees to indemnify the United States against any liability arising from the release of any hazardous substance or hazardous waste (as these terms are defined in the Comprehensive Environmental Response, Compensation and Liability Act of 1980, 42 U.S.C. 9601, et seq. or the Resource Conservation and Recovery Act, 42 U.S.C.6901, et seq.) on the Right-of-Way (unless the release or threatened release is wholly unrelated to the Right-of-Way holder's activity on the Right-of-Way), or resulting from the activity of the Right-of-Way holder on the Right-of-Way.

This agreement applies without regard to whether a release is caused by the holder, its agent, or unrelated third parties.

4. If, during any phase of the construction, operation, maintenance, or termination of the pipeline, any oil or other pollutant should be discharged from the pipeline system, impacting Federal lands, the control and total removal, disposal, and cleaning up of such oil or other pollutant, wherever found, shall be the responsibility of holder, regardless of fault. Upon failure of holder to control, dispose of, or clean up such discharge on or affecting Federal lands, or to repair all damages resulting therefrom, on the Federal lands, the Authorized Officer may take such measures as he deems necessary to control and clean up the discharge and restore the area, including where appropriate, the aquatic environment and fish and wildlife habitats, at the full expense of the holder. Such action by the Authorized Officer shall not relieve holder of any responsibility as provided herein.

5. All construction and maintenance activity will be confined to the authorized right-of-way.
6. The pipeline will be buried with a minimum cover of 36 inches between the top of the pipe and ground level.
7. The maximum allowable disturbance for construction in this right-of-way will be 30 feet:
  - Blading of vegetation within the right-of-way will be allowed: maximum width of blading operations will not exceed 20 feet. The trench is included in this area. (*Blading is defined as the complete removal of brush and ground vegetation.*)
  - Clearing of brush species within the right-of-way will be allowed: maximum width of clearing operations will not exceed 30 feet. The trench and bladed area are included in this area. (*Clearing is defined as the removal of brush while leaving ground vegetation (grasses, weeds, etc.) intact. Clearing is best accomplished by holding the blade 4 to 6 inches above the ground surface.*)
  - The remaining area of the right-of-way (if any) shall only be disturbed by compressing the vegetation. (*Compressing can be caused by vehicle tires, placement of equipment, etc.*)
8. The holder shall stockpile an adequate amount of topsoil where blading is allowed. The topsoil to be stripped is approximately 6 inches in depth. The topsoil will be segregated from other spoil piles from trench construction. The topsoil will be evenly distributed over the bladed area for the preparation of seeding.
9. The holder shall minimize disturbance to existing fences and other improvements on public lands. The holder is required to promptly repair improvements to at least their former state. Functional use of these improvements will be maintained at all times. The holder will contact the owner of any improvements prior to disturbing them. When necessary to pass through a fence line, the fence shall be braced on both sides of the passageway prior to cutting of the fence. No permanent gates will be allowed unless approved by the Authorized Officer.
10. Vegetation, soil, and rocks left as a result of construction or maintenance activity will be randomly scattered on this right-of-way and will not be left in rows, piles, or berms, unless otherwise approved by the Authorized Officer. The entire right-of-way shall be recontoured to match the surrounding landscape. The backfilled soil shall be compacted and a 6 inch berm will be left over the ditch line to allow for settling back to grade.

11. In those areas where erosion control structures are required to stabilize soil conditions, the holder will install such structures as are suitable for the specific soil conditions being encountered and which are in accordance with sound resource management practices.

12. The holder will reseed all disturbed areas. Seeding will be done according to the attached seeding requirements, using the following seed mix.

- |  |  |
|--|--|
| <input checked="" type="checkbox"/> seed mixture 1 | <input type="checkbox"/> seed mixture 3          |
| <input type="checkbox"/> seed mixture 2            | <input type="checkbox"/> seed mixture 4          |
| <input type="checkbox"/> seed mixture 2/LPC        | <input type="checkbox"/> Aplomado Falcon Mixture |

13. All above-ground structures not subject to safety requirements shall be painted by the holder to blend with the natural color of the landscape. The paint used shall be color which simulates “Standard Environmental Colors” – **Shale Green**, Munsell Soil Color No. 5Y 4/2.

14. The pipeline will be identified by signs at the point of origin and completion of the right-of-way and at all road crossings. At a minimum, signs will state the holder’s name, BLM serial number, and the product being transported. All signs and information thereon will be posted in a permanent, conspicuous manner, and will be maintained in a legible condition for the life of the pipeline.

15. The holder shall not use the pipeline route as a road for purposes other than routine maintenance as determined necessary by the Authorized Officer in consultation with the holder before maintenance begins. The holder will take whatever steps are necessary to ensure that the pipeline route is not used as a roadway. As determined necessary during the life of the pipeline, the Authorized Officer may ask the holder to construct temporary deterrence structures.

16. Any cultural and/or paleontological resources (historic or prehistoric site or object) discovered by the holder, or any person working on his behalf, on public or Federal land shall be immediately reported to the Authorized Officer. Holder shall suspend all operations in the immediate area of such discovery until written authorization to proceed is issued by the Authorized Officer. An evaluation of the discovery will be made by the Authorized Officer to determine appropriate actions to prevent the loss of significant cultural or scientific values. The holder will be responsible for the cost of evaluation and any decision as to proper mitigation measures will be made by the Authorized Officer after consulting with the holder.

17. The operator shall be held responsible if noxious weeds become established within the areas of operations. Weed control shall be required on the disturbed land where noxious weeds exist, which includes associated roads, pipeline corridor and adjacent land affected by the establishment of weeds due to this action. The operator shall consult with the Authorized Officer for acceptable weed control methods, which include following EPA and BLM requirements and policies.

18. Escape Ramps - The operator will construct and maintain pipeline/utility trenches that are not otherwise fenced, screened, or netted to prevent livestock, wildlife, and humans from becoming entrapped. At a minimum, the operator will construct and maintain escape ramps, ladders, or other methods of avian and terrestrial wildlife escape in the trenches according to the following criteria:

- a. Any trench left open for eight (8) hours or less is not required to have escape ramps; however, before the trench is backfilled, the contractor/operator shall inspect the trench for wildlife, remove all trapped wildlife, and release them at least 100 yards from the trench.
- b. For trenches left open for eight (8) hours or more, earthen escape ramps (built at no more than a 30 degree slope and spaced no more than 500 feet apart) shall be placed in the trench.

19. Special Stipulations:

**Timing Limitation Stipulation / Condition of Approval for lesser prairie-chicken:**

Oil and gas activities including 3-D geophysical exploration, and drilling will not be allowed in lesser prairie-chicken habitat during the period from March 1st through June 15th annually. During that period, other activities that produce noise or involve human activity, such as the maintenance of oil and gas facilities, pipeline, road, and well pad construction, will be allowed except between 3:00 am and 9:00 am. The 3:00 am to 9:00 am restriction will not apply to normal, around-the-clock operations, such as venting, flaring, or pumping, which do not require a human presence during this period. Additionally, no new drilling will be allowed within up to 200 meters of leks known at the time of permitting. Normal vehicle use on existing roads will not be restricted. Exhaust noise from pump jack engines must be muffled or otherwise controlled so as not to exceed 75 db measured at 30 feet from the source of the noise.

**STANDARD STIPULATIONS FOR SURFACE INSTALLED PIPELINES**

**A copy of the application (Grant, Sundry Notice, APD) and attachments, including stipulations, survey plat and/or map, will be on location during construction. BLM personnel may request to you a copy of your permit during construction to ensure compliance with all stipulations.**

Holder agrees to comply with the following stipulations to the satisfaction of the Authorized Officer:

1. The holder shall indemnify the United States against any liability for damage to life or property arising from the occupancy or use of public lands under this grant.
2. The holder shall comply with all applicable Federal laws and regulations existing or hereafter enacted or promulgated. In any event, the holder shall comply with the Toxic

Substances Control Act of 1976 as amended, 15 USC 2601 et seq. (1982) with regards to any toxic substances that are used, generated by or stored on the right-of-way or on facilities authorized under this right-of-way grant. (See 40 CFR, Part 702-799 and especially, provisions on polychlorinated biphenyls, 40 CFR 761.1-761.193.) Additionally, any release of toxic substances (leaks, spills, etc.) in excess of the reportable quantity established by 40 CFR, Part 117 shall be reported as required by the Comprehensive Environmental Response, Compensation, and Liability Act, section 102b. A copy of any report required or requested by any Federal agency or State government as a result of a reportable release or spill of any toxic substances shall be furnished to the authorized officer concurrent with the filing of the reports to the involved Federal agency or State government.

3. The holder agrees to indemnify the United States against any liability arising from the release of any hazardous substance or hazardous waste (as these terms are defined in the Comprehensive Environmental Response, Compensation and Liability Act of 1980, 42 U.S.C. 9601, et seq. or the Resource Conservation and Recovery Act, 42 U.S.C. 6901, et seq.) on the Right-of-Way (unless the release or threatened release is wholly unrelated to activity of the Right-of-Way holder's activity on the Right-of-Way), or resulting from the activity of the Right-of-Way holder on the Right-of-Way. This agreement applies without regard to whether a release is caused by the holder, its agent, or unrelated third parties.

4. The holder shall be liable for damage or injury to the United States to the extent provided by 43 CFR Sec. 2883.1-4. The holder shall be held to a standard of strict liability for damage or injury to the United States resulting from pipe rupture, fire, or spills caused or substantially aggravated by any of the following within the right-of-way or permit area:

- a. Activities of the holder including, but not limited to construction, operation, maintenance, and termination of the facility.
- b. Activities of other parties including, but not limited to:
  - (1) Land clearing.
  - (2) Earth-disturbing and earth-moving work.
  - (3) Blasting.
  - (4) Vandalism and sabotage.
- c. Acts of God.

The maximum limitation for such strict liability damages shall not exceed one million dollars (\$1,000,000) for any one event, and any liability in excess of such amount shall be determined by the ordinary rules of negligence of the jurisdiction in which the damage or injury occurred.

This section shall not impose strict liability for damage or injury resulting primarily from an act of war or from the negligent acts or omissions of the United States.

5. If, during any phase of the construction, operation, maintenance, or termination of the pipeline, any oil, salt water, or other pollutant should be discharged from the pipeline system, impacting Federal lands, the control and total removal, disposal, and cleaning up of such oil, salt water, or other pollutant, wherever found, shall be the responsibility of the holder, regardless of fault. Upon failure of the holder to control, dispose of, or clean up such discharge on or affecting Federal lands, or to repair all damages resulting therefrom, on the Federal lands, the Authorized Officer may take such measures as he deems necessary to control and clean up the discharge and restore the area, including, where appropriate, the aquatic environment and fish and wildlife habitats, at the full expense of the holder. Such action by the Authorized Officer shall not relieve the holder of any responsibility as provided herein.

6. All construction and maintenance activity will be confined to the authorized right-of-way width of 20 feet. If the pipeline route follows an existing road or buried pipeline right-of-way, the surface pipeline must be installed no farther than 10 feet from the edge of the road or buried pipeline right-of-way. If existing surface pipelines prevent this distance, the proposed surface pipeline must be installed immediately adjacent to the outer surface pipeline. All construction and maintenance activity will be confined to existing roads or right-of-ways.

7. No blading or clearing of any vegetation will be allowed unless approved in writing by the Authorized Officer.

8. The holder shall install the pipeline on the surface in such a manner that will minimize suspension of the pipeline across low areas in the terrain. In hummocky or dune areas, the pipeline will be "snaked" around hummocks and dunes rather than suspended across these features.

9. The pipeline shall be buried with a minimum of 24 inches under all roads, "two-tracks," and trails. Burial of the pipe will continue for 20 feet on each side of each crossing. The condition of the road, upon completion of construction, shall be returned to at least its former state with no bumps or dips remaining in the road surface.

10. The holder shall minimize disturbance to existing fences and other improvements on public lands. The holder is required to promptly repair improvements to at least their former state. Functional use of these improvements will be maintained at all times. The holder will contact the owner of any improvements prior to disturbing them. When necessary to pass through a fence line, the fence shall be braced on both sides of the passageway prior to cutting of the fence. No permanent gates will be allowed unless approved by the Authorized Officer.

11. In those areas where erosion control structures are required to stabilize soil conditions, the holder will install such structures as are suitable for the specific soil



conditions being encountered and which are in accordance with sound resource management practices.

12. Excluding the pipe, all above-ground structures not subject to safety requirement shall be painted by the holder to blend with the natural color of the landscape. The paint used shall be a color which simulates "Standard Environmental Colors" – **Shale Green**, Munsell Soil Color No. 5Y 4/2; designated by the Rocky Mountain Five State Interagency Committee.

13. The pipeline will be identified by signs at the point of origin and completion of the right-of-way and at all road crossings. At a minimum, signs will state the holder's name, BLM serial number, and the product being transported. Signs will be maintained in a legible condition for the life of the pipeline.

14. The holder shall not use the pipeline route as a road for purposes other than routine maintenance as determined necessary by the Authorized Officer in consultation with the holder. The holder will take whatever steps are necessary to ensure that the pipeline route is not used as a roadway.

15. Any cultural and/or paleontological resource (historic or prehistoric site or object) discovered by the holder, or any person working on his behalf, on public or Federal land shall be immediately reported to the authorized officer. Holder shall suspend all operations in the immediate area of such discovery until written authorization to proceed is issued by the authorized officer. An evaluation of the discovery will be made by the authorized officer to determine appropriate cultural or scientific values. The holder will be responsible for the cost of evaluation and any decision as to proper mitigation measures will be made by the authorized officer after consulting with the holder.

16. The operator shall be held responsible if noxious weeds become established within the areas of operations. Weed control shall be required on the disturbed land where noxious weeds exist, which includes the roads, powerline corridor, and adjacent land affected by the establishment of weeds due to this action. The operator shall consult with the Authorized Officer for acceptable weed control methods, which include following EPA and BLM requirements and policies.

17. Surface pipelines must be less than or equal to 4 inches and a working pressure below 125 psi.

18. Special Stipulations:

- a. **Lesser Prairie-Chicken**: Oil and gas activities will not be allowed in lesser prairie-chicken habitat during the period from March 1st through June 15th annually. During that period, other activities that produce noise or involve human activity, such as the maintenance of oil and gas facilities and pipeline, road, and well pad

construction, will be allowed except between 3:00 am and 9:00 am. The 3:00 am to 9:00 am restriction will not apply to normal, around-the-clock operations, such as venting, flaring, or pumping, which do not require a human presence during this period. Normal vehicle use on existing roads will not be restricted.

**C. ELECTRIC LINES**

**STANDARD STIPULATIONS FOR OVERHEAD ELECTRIC DISTRIBUTION LINES**

**A copy of the grant and attachments, including stipulations, survey plat and/or map, will be on location during construction. BLM personnel may request to you a copy of your permit during construction to ensure compliance with all stipulations.**

Holder agrees to comply with the following stipulations to the satisfaction of the Authorized Officer:

1. The holder shall indemnify the United States against any liability for damage to life or property arising from the occupancy or use of public lands under this grant.
2. The holder shall comply with all applicable Federal laws and regulations existing or hereafter enacted or promulgated. In any event, the holder shall comply with the Toxic Substances Control Act of 1976 as amended, 15 USC 2601 et seq. (1982) with regards to any toxic substances that are used, generated by or stored on the right-of-way or on facilities authorized under this right-of-way grant. (See 40 CFR, Part 702-799 and especially, provisions on polychlorinated biphenyls, 40 CFR 761.1-761.193.) Additionally, any release of toxic substances (leaks, spills, etc.) in excess of the reportable quantity established by 40 CFR, Part 117 shall be reported as required by the Comprehensive Environmental Response, Compensation, and Liability Act, section 102b. A copy of any report required or requested by any Federal agency or State government as a result of a reportable release or spill of any toxic substances shall be furnished to the authorized officer concurrent with the filing of the reports to the involved Federal agency or State government.
3. The holder agrees to indemnify the United States against any liability arising from the release of any hazardous substance or hazardous waste (as these terms are defined in the Comprehensive Environmental Response, Compensation and Liability Act of 1980, 42 U.S.C. 9601, et seq. or the Resource Conservation and Recovery Act, 42 U.S.C. 6901, et seq.) on the Right-of-Way (unless the release or threatened release is wholly unrelated to the Right-of-Way holder's activity on the Right-of-Way), or resulting from the activity of the Right-of-Way holder on the Right-of-Way. This agreement applies without regard to whether a release is caused by the holder, its agent, or unrelated third parties.
4. There will be no clearing or blading of the right-of-way unless otherwise agreed to in writing by the Authorized Officer.

5. Power lines shall be constructed and designed in accordance to standards outlined in "Suggested Practices for Avian Protection on Power lines: The State of the Art in 2006" Edison Electric Institute, APLIC, and the California Energy Commission 2006 . The holder shall assume the burden and expense of proving that pole designs not shown in the above publication deter raptor perching, roosting, and nesting. Such proof shall be provided by a raptor expert approved by the Authorized Officer. The BLM reserves the right to require modification or additions to all powerline structures placed on this right-of-way, should they be necessary to ensure the safety of large perching birds. Such modifications and/or additions shall be made by the holder without liability or expense to the United States.

Raptor deterrence will consist of but not limited to the following: triangle perch discouragers shall be placed on each side of the cross arms and a nonconductive perching deterrence shall be placed on all vertical poles that extend past the cross arms.

6. The holder shall minimize disturbance to existing fences and other improvements on public lands. The holder is required to promptly repair improvements to at least their former state. Functional use of these improvements will be maintained at all times. The holder will contact the owner of any improvements prior to disturbing them. When necessary to pass through a fence line, the fence shall be braced on both sides of the passageway prior to cutting the fence. No permanent gates will be allowed unless approved by the Authorized Officer.

7. The BLM serial number assigned to this authorization shall be posted in a permanent, conspicuous manner where the power line crosses roads and at all serviced facilities. Numbers will be at least two inches high and will be affixed to the pole nearest the road crossing and at the facilities served.

8. Upon cancellation, relinquishment, or expiration of this grant, the holder shall comply with those abandonment procedures as prescribed by the Authorized Officer.

9. All surface structures (poles, lines, transformers, etc.) shall be removed within 180 days of abandonment, relinquishment, or termination of use of the serviced facility or facilities or within 180 days of abandonment, relinquishment, cancellation, or expiration of this grant, whichever comes first. This will not apply where the power line extends service to an active, adjoining facility or facilities.

10. Any cultural and/or paleontological resource (historic or prehistoric site or object) discovered by the holder, or any person working on his behalf, on public or Federal land shall be immediately reported to the Authorized Officer. Holder shall suspend all operations in the immediate area of such discovery until written authorization to proceed is issued by the Authorized Officer. An evaluation of the discovery will be made by the Authorized Officer to determine appropriate actions to prevent the loss of significant

cultural or scientific values. The holder will be responsible for the cost of evaluation and any decision as to proper mitigation measures will be made by the Authorized Officer after consulting with the holder.

11. Special Stipulations:

- For reclamation remove poles, lines, transformer, etc. and dispose of properly.
- Fill in any holes from the poles removed.

**Timing Limitation Stipulation/Condition of Approval for Lesser Prairie-Chicken:**

Oil and gas activities including 3-D geophysical exploration, and drilling will not be allowed in lesser prairie-chicken habitat during the period from March 1st through June 15th annually. During that period, other activities that produce noise or involve human activity, such as the maintenance of oil and gas facilities, geophysical exploration other than 3-D operations, and pipeline, road, and well pad construction, will be allowed except between 3:00 am and 9:00 am. The 3:00 am to 9:00 am restriction will not apply to normal, around-the-clock operations, such as venting, flaring, or pumping, which do not require a human presence during this period. Additionally, no new drilling will be allowed within up to 200 meters of leks known at the time of permitting. Normal vehicle use on existing roads will not be restricted. Exhaust noise from pump jack engines must be muffled or otherwise controlled so as not to exceed 75 db measured at 30 ft. from the source of the noise.

STANDARD STIPULATIONS FOR OIL AND GAS RELATED SITES

A copy of the application (Grant/Sundry Notice) and attachments, including stipulations and map, will be on location during construction. BLM personnel may request to view a copy of your permit during construction to ensure compliance with all stipulations.

The holder agrees to comply with the following stipulations to the satisfaction of the Authorized Officer, BLM.

1. The holder shall indemnify the United States against any liability for damage to life or property arising from the occupancy or use of public lands under this grant and for all response costs, penalties, damages, claims, and other costs arising from the provisions of the Resource Conservation and Recovery Act (RCRA), 42 U.S.C. Chap. 82, Section 6901 et. seq., from the Comprehensive Environmental Response, Compensation and Liability Act (CERCLA), 42 U.S.C. Chap. 109, Section 9601 et. seq., and from other applicable environmental statutes.

2. The holder shall comply with all applicable Federal laws and regulations existing or hereafter enacted or promulgated. In any event, the holder shall comply with the Toxic Substances Control Act of 1976, as amended (15 U.S.C. 2601, et. seq.) with regard to any toxic substances that are used, generated by or stored on the right-of-way or on facilities

authorized by this grant. (See 40 CFR, Part 702-799 and especially, provisions on polychlorinated biphenyls, 40 CFR 761.1-761.193.) Additionally, any release of toxic substances (leaks, spills, etc.) in excess of the reportable quantity established by 40 CFR, Part 117 shall be reported as required by the Comprehensive Environmental Response, Compensation and Liability Act, Section 102b. A copy of any report required or requested by any Federal agency or State government as a result of a reportable release or spill of any toxic substances shall be furnished to the Authorized Officer concurrent with the filing of the reports to the involved Federal agency or State government.

3. The holder agrees to indemnify the United States against any liability arising from the release of any hazardous substance or hazardous waste (as these terms are defined in the Comprehensive Environmental Response, Compensation and Liability Act of 1980, 42 U.S.C. 9601, et. seq. or the Resource Conservation and Recovery Act, 42 U.S.C. 6901, et. seq.) on the right-of-way (unless the release or threatened release is wholly unrelated to the right-of-way holder's activity on the right-of-way). This agreement applies without regard to whether a release is caused by the holder, its agent, or unrelated third parties.

4. If, during any phase of the construction, operation, maintenance, or termination of the site or related pipeline(s), any oil or other pollutant should be discharged from site facilities, the pipeline(s) or from containers or vehicles impacting Federal lands, the control and total removal, disposal, and cleanup of such oil or other pollutant, wherever found, shall be the responsibility of the holder, regardless of fault. Upon failure of the holder to control, dispose of, or clean up such discharge on or affecting Federal lands, or to repair all damages to Federal lands resulting therefrom, the Authorized Officer may take such measures as deemed necessary to control and cleanup the discharge and restore the area, including, where appropriate, the aquatic environment and fish and wildlife habitats, at the full expense of the holder. Such action by the Authorized Officer shall not relieve the holder of any liability or responsibility.

5. Sites shall be maintained in an orderly, sanitary condition at all times. Waste materials, both liquid and solid, shall be disposed of promptly at an appropriate, authorized waste disposal facility in accordance with all applicable State and Federal laws. "Waste" means all discarded matter including, but not limited to, human waste, trash, garbage, refuse, petroleum products, brines, chemicals, oil drums, ashes, and equipment.

6. The operator will notify the Bureau of Land Management (BLM) authorized officer and nearest Fish and Wildlife Service (FWS) Law Enforcement office within 24 hours, if the operator discovers a dead or injured federally protected species (i.e., migratory bird species, bald or golden eagle, or species listed by the FWS as threatened or endangered) in or adjacent to a pit, trench, tank, exhaust stack, or fence. (If the operator is unable to contact the FWS Law Enforcement office, the operator must contact the nearest FWS Ecological Services office.)

7. All above-ground structures not subject to safety requirements shall be painted by the holder to blend with the natural color of the landscape. The paint used shall be a color which simulates "Standard Environmental Colors" designated by the Rocky Mountain Five-State Interagency Committee. The color selected for this project is **Shale Green**, Munsell Soil Color Chart Number 5Y 4/2.

8. Any cultural and/or paleontological resource (historic or prehistoric site or object) discovered by the holder, or any person working on the holder's behalf, on public or Federal land shall be immediately reported to the Authorized Officer. The holder shall suspend all operations in the immediate area of such discovery until written authorization to proceed is issued by the Authorized Officer. An evaluation of the discovery will be made by the Authorized Officer to determine appropriate actions to prevent the loss of significant cultural or scientific values. The holder will be responsible for the cost of evaluation and any decision as to the proper mitigation measures will be made by the Authorized Officer after consulting with the holder.

9. A sales contract for removal of mineral material (caliche, sand, gravel, fill dirt) from an authorized pit, site, or on location must be obtained from the BLM prior to commencing construction. There are several options available for purchasing mineral material: contact the BLM office (575-234-5972).

10. The operator shall be held responsible if noxious weeds become established within the areas of operations. Weed control shall be required on the disturbed land where noxious weeds exist, which includes the roads, pads, associated pipeline corridor, and adjacent land affected by the establishment of weeds due to this action. The operator shall consult with the Authorized Officer for acceptable weed control methods, which include following EPA and BLM requirements and policies.

11. Once the site is no longer in service or use, the site must undergo final abandonment. At final abandonment, the site and access roads must undergo "final" reclamation so that the character and productivity of the land are restored. Earthwork for final reclamation must be completed within six (6) months of the abandonment of the site. All pads and facility locations and roads must be reclaimed to a satisfactory revegetated, safe, and stable condition, unless an agreement is made with the landowner or BLM to keep the road and/or pad intact. After all disturbed areas have been satisfactorily prepared, these areas need to be revegetated with the seed mixture provided. Seeding should be accomplished by drilling on the contour whenever practical or by other approved methods. Seeding may need to be repeated until revegetation is successful, as determined by the BLM.

Operators shall contact a BLM surface protection specialist prior to surface abandonment operations for site specific objectives (Jim Amos: 575-234-5909).

12. The holder shall stockpile an adequate amount of topsoil where blading occurs. The topsoil to be stripped is approximately 6 inches in depth. The topsoil will be segregated from other spoil piles. The topsoil will be used for final reclamation.

13. The holder will reseed all disturbed areas. Seeding will be done according to the attached seeding requirements, using the following seed mix.

- |  |  |
|--|--|
| <input checked="" type="checkbox"/> seed mixture 1 | <input type="checkbox"/> seed mixture 3          |
| <input type="checkbox"/> seed mixture 2            | <input type="checkbox"/> seed mixture 4          |
| <input type="checkbox"/> seed mixture 2/LPC        | <input type="checkbox"/> Aplomado Falcon Mixture |

14. In those areas where erosion control structures are required to stabilize soil conditions, the holder shall install such structures as are suitable for the specific soil conditions being encountered and which are in accordance with sound management practices. Any earth work will require prior approval by the Authorized Officer.

15. Open-topped Tanks - The operator will take actions necessary to prevent wildlife and livestock access, including avian wildlife, to all open-topped tanks that contain or have the potential to contain salinity sufficient to cause harm to wildlife or livestock, hydrocarbons, or Resource Conservation and Recovery Act of 1976-exempt hazardous substances. At a minimum, the operator will net, screen, or cover open-topped tanks to exclude wildlife and livestock and prevent mortality. If the operator uses netting, the operator will cover and secure the open portion of the tank to prevent wildlife entry. The operator will net, screen, or cover the tanks until the operator removes the tanks from the location or the tanks no longer contain substances that could be harmful to wildlife or livestock. Use a maximum netting mesh size of 1 ½ inches. The netting must not be in contact with fluids and must not have holes or gaps

16. The operator will prevent all hazardous, poisonous, flammable, and toxic substances from coming into contact with soil and water. At a minimum, the operator will install and maintain an

impervious secondary containment system for any tank or barrel containing hazardous, poisonous, flammable, or toxic substances sufficient to contain the contents of the tank or barrel and any drips, leaks, and anticipated precipitation. The operator will dispose of fluids within the containment system that do not meet applicable state or U. S. Environmental Protection Agency livestock water standards in accordance with state law; the operator must not drain the fluids to the soil or ground. The operator will design, construct, and maintain all secondary containment systems to prevent wildlife and livestock exposure to harmful substances. At a minimum, the operator will install

effective wildlife and livestock enclosure systems such as fencing, netting, expanded metal mesh, lids, and grate covers. Use a maximum netting mesh size of 1 ½ inches.

17. Open-Vent Exhaust Stack Enclosures – The operator will construct, modify, equip, and maintain all open-vent exhaust stacks on production equipment to prevent birds and bats from entering, and to discourage perching, roosting, and nesting. (Recommended enclosure structures on open-vent exhaust stacks are in the shape of a cone.) Production equipment includes, but may not be limited to, tanks, heater-treaters, separators, dehydrators, flare stacks, in-line units, and compressor mufflers.

18. Containment Structures - Proposed production facilities such as storage tanks and other vessels will have a secondary containment structure that is constructed to hold the capacity of 1.5 times the largest tank, plus freeboard to account for precipitation, unless more stringent protective requirements are deemed necessary.

19. Special Stipulations:

- The entire well pad will be bermed to prevent oil, salt, and other chemical contaminants from leaving the well pad. Topsoil shall not be used to construct the berm. No water flow from the uphill side(s) of the pad shall be allowed to enter the well pad. The berm shall be maintained through the life of the well and after interim reclamation has been completed.
- Any water erosion that may occur due to the construction of the well pad during the life of the well will be corrected within two weeks and proper measures will be taken to prevent future erosion.

#### **Lesser Prairie-Chicken**

Oil and gas activities will not be allowed in lesser prairie-chicken habitat during the period from March 1st through June 15th annually. During that period, other activities that produce noise or involve human activity, such as the maintenance of oil and gas facilities, geophysical exploration other than 3-D operations, and pipeline, road, and well pad construction, will be allowed except between 3:00 am and 9:00 am. The 3:00 am to 9:00 am restriction will not apply to normal, around-the-clock operations, such as venting, flaring, or pumping, which do not require a human presence during this period. Normal vehicle use on existing roads will not be restricted. Exhaust noise from permanent engines must be muffled or otherwise controlled so as not to exceed 75 db measured at 30 ft. from the source of the noise.

## **VIII. INTERIM RECLAMATION**



During the life of the development, all disturbed areas not needed for active support of production operations should undergo interim reclamation in order to minimize the environmental impacts of development on other resources and uses.

Within six (6) months of well completion, operators should work with BLM surface management specialists (Jim Amos: 575-234-5909) to devise the best strategies to reduce the size of the location. Interim reclamation should allow for remedial well operations, as well as safe and efficient removal of oil and gas.

During reclamation, the removal of caliche is important to increasing the success of revegetating the site. Removed caliche that is free of contaminants may be used for road repairs, fire walls or for building other roads and locations. In order to operate the well or complete workover operations, it may be necessary to drive, park and operate on restored interim vegetation within the previously disturbed area. Disturbing revegetated areas for production or workover operations will be allowed. If there is significant disturbance and loss of vegetation, the area will need to be revegetated. Communicate with the appropriate BLM office for any exceptions/exemptions if needed.

All disturbed areas after they have been satisfactorily prepared need to be reseeded with the seed mixture provided below.

Upon completion of interim reclamation, the operator shall submit a Sundry Notices and Reports on Wells, Subsequent Report of Reclamation (Form 3160-5).

## **IX. FINAL ABANDONMENT & RECLAMATION**

At final abandonment, well locations, production facilities, and access roads must undergo "final" reclamation so that the character and productivity of the land are restored.

Earthwork for final reclamation must be completed within six (6) months of well plugging. All pads, pits, facility locations and roads must be reclaimed to a satisfactory revegetated, safe, and stable condition, unless an agreement is made with the landowner or BLM to keep the road and/or pad intact.

After all disturbed areas have been satisfactorily prepared, these areas need to be revegetated with the seed mixture provided below. Seeding should be accomplished by drilling on the contour whenever practical or by other approved methods. Seeding may need to be repeated until revegetation is successful, as determined by the BLM.

Operators shall contact a BLM surface protection specialist prior to surface abandonment operations for site specific objectives (Jim Amos: 575-234-5909).

Ground-level Abandoned Well Marker to avoid raptor perching: Upon the plugging and subsequent abandonment of the well, the well marker will be installed at ground level on a plate containing the pertinent information for the plugged well.

### Seed Mixture 1 for Loamy Sites

Holder shall seed all disturbed areas with the seed mixture listed below. The seed mixture shall be planted in the amounts specified in pounds of pure live seed (PLS)\* per acre. There shall be no primary or secondary noxious weeds in the seed mixture. Seed shall be tested and the viability testing of seed will be done in accordance with State law(s) and within nine (9) months prior to purchase. Commercial seed shall be either certified or registered seed. The seed container shall be tagged in accordance with State law(s) and available for inspection by the Authorized Officer.

Seed shall be planted using a drill equipped with a depth regulator to ensure proper depth regulator to ensure proper depth of planting where drilling is possible. The seed mixture shall be evenly and uniformly planted over the disturbed area (small/heavier seeds have a tendency to drop the bottom of the drill and are planted first). Holder shall take appropriate measures to ensure this does not occur. Where drilling is not possible, seed shall be broadcast and the area shall be raked or chained to cover the seed. When broadcasting the seed, the pounds per acre shall be doubled. The seeding shall be repeated until a satisfactory stand is established as determined by the Authorized Officer. Evaluation of growth may not be made before completion of at least one full growing season after seeding.

Species to be planted in pounds of pure live seed\* per acre:

Species	lb/acre
Plains lovegrass ( <i>Eragrostis intermedia</i> )	0.5
Sand dropseed ( <i>Sporobolus cryptandrus</i> )	1.0
Sideoats grama ( <i>Bouteloua curtipendula</i> )	5.0
Plains bristlegrass ( <i>Setaria macrostachya</i> )	2.0

\*Pounds of pure live seed:

Pounds of seed x percent purity x percent germination = pounds pure live seed

## PECOS DISTRICT DRILLING CONDITIONS OF APPROVAL

<b>OPERATOR'S NAME:</b>	OXY USA INCOPORATED
<b>WELL NAME &amp; NO.:</b>	NIMITZ MDP1 13 FEDERAL COM 23H
<b>SURFACE HOLE FOOTAGE:</b>	659'/S & 1798'/W
<b>BOTTOM HOLE FOOTAGE:</b>	20'/S & 2250'/W
<b>LOCATION:</b>	Section 12, T.24 S., R.30 E., NMP
<b>COUNTY:</b>	Eddy County, New Mexico

COA

H2S	<input type="radio"/> Yes	<input checked="" type="radio"/> No	
Potash	<input type="radio"/> None	<input checked="" type="radio"/> Secretary	<input type="radio"/> R-111-P
Cave/Karst Potential	<input checked="" type="radio"/> Low	<input type="radio"/> Medium	<input type="radio"/> High
Cave/Karst Potential	<input type="radio"/> Critical		
Variance	<input type="radio"/> None	<input checked="" type="radio"/> Flex Hose	<input type="radio"/> Other
Wellhead	<input type="radio"/> Conventional	<input type="radio"/> Multibowl	<input checked="" type="radio"/> Both
Other	<input checked="" type="checkbox"/> 4 String Area	<input type="checkbox"/> Capitan Reef	<input type="checkbox"/> WIPP
Other	<input type="checkbox"/> Fluid Filled	<input checked="" type="checkbox"/> Cement Squeeze	<input type="checkbox"/> Pilot Hole
Special Requirements	<input type="checkbox"/> Water Disposal	<input checked="" type="checkbox"/> COM	<input type="checkbox"/> Unit

### A. HYDROGEN SULFIDE

Hydrogen Sulfide (H2S) monitors shall be installed prior to drilling out the surface shoe. If H2S is detected in concentrations greater than 100 ppm, the Hydrogen Sulfide area shall meet Onshore Order 6 requirements, which includes equipment and personnel/public protection items. If Hydrogen Sulfide is encountered, provide measured values and formations to the BLM.

### B. CASING

#### Casing Design:

1. The **13-3/8** inch surface casing shall be set at approximately **548** feet (a minimum of **70 feet (Eddy County)** into the Rustler Anhydrite and above the salt) and cemented to the surface.
  - a. If cement does not circulate to the surface, the appropriate BLM office shall be notified and a temperature survey utilizing an electronic type temperature survey with surface log readout will be used or a cement bond log shall be run to verify the top of the cement. Temperature survey will be run a minimum of six hours after pumping cement and ideally between 8-10 hours after completing the cement job.

- b. Wait on cement (WOC) time for a primary cement job will be a minimum of **24 hours in the Potash Area** or 500 pounds compressive strength, whichever is greater. (This is to include the lead cement)
  - c. Wait on cement (WOC) time for a remedial job will be a minimum of 4 hours after bringing cement to surface or 500 pounds compressive strength, whichever is greater.
  - d. If cement falls back, remedial cementing will be done prior to drilling out that string.
2. The **9-5/8** inch intermediate casing shall be set at approximately **4185** feet. The minimum required fill of cement behind the **9-5/8** inch intermediate casing is:

**Option 1 (Single Stage):**

- Cement to surface. If cement does not circulate see B.1.a, c-d above.  
**Wait on cement (WOC) time for a primary cement job is to include the lead cement slurry due to cave/karst or potash.**

**Option 2:**

Operator has proposed a DV tool, the depth may be adjusted as long as the cement is changed proportionally. The DV tool may be cancelled if cement circulates to surface on the first stage.

- a. First stage to DV tool: Cement to circulate. If cement does not circulate off the DV tool, contact the appropriate BLM office before proceeding with second stage cement job.
  - b. Second stage above DV tool:
    - Cement to surface. If cement does not circulate, contact the appropriate BLM office.  
**Wait on cement (WOC) time for a primary cement job is to include the lead cement slurry due to cave/karst or potash.**
- ❖ In **Secretary Potash Areas** if cement does not circulate to surface on the first two casing strings, the cement on the 3rd casing string must come to surface.
3. The minimum required fill of cement behind the **5-1/2 x 4-1/2** inch production casing is:

**Option 1 (Single Stage):**

- Cement should tie-back at least **500 feet** into previous casing string. Operator shall provide method of verification.

**Wait on cement (WOC) time for a primary cement job is to include the lead cement slurry due to cave/karst or potash.**

**Option 2:**

Operator has proposed a DV tool, the depth may be adjusted as long as the cement is changed proportionally. The DV tool may be cancelled if cement circulates to surface on the first stage.

- c. First stage to DV tool: Cement to circulate. If cement does not circulate off the DV tool, contact the appropriate BLM office before proceeding with second stage cement job.
- d. Second stage above DV tool:
  - Cement should tie-back at least **500 feet** into previous casing string. Operator shall provide method of verification.  
**Wait on cement (WOC) time for a primary cement job is to include the lead cement slurry due to cave/karst or potash.**

**Operator has proposed to pump down 9-5/8" X 5-1/2 x 4-1/2" annulus. Operator must run a CBL from TD of the 5-1/2 x 4-1/2" casing to surface. Submit results to BLM.**

**C. PRESSURE CONTROL**

1. Variance approved to use flex line from BOP to choke manifold. Manufacturer's specification to be readily available. No external damage to flex line. Flex line to be installed as straight as possible (no hard bends).'
- 2.

**Option 1:**

- a. Minimum working pressure of the blowout preventer (BOP) and related equipment (BOPE) required for drilling below the surface casing shoe shall be **3000 (3M)** psi.
- b. Minimum working pressure of the blowout preventer (BOP) and related equipment (BOPE) required for drilling below the intermediate casing shoe shall be **3000 (3M)** psi.

**Option 2:**

1. Operator has proposed a multi-bowl wellhead assembly. This assembly will only be tested when installed on the surface casing. Minimum working pressure of the

blowout preventer (BOP) and related equipment (BOPE) required for drilling below the surface casing shoe shall be **3000 (3M)** psi.

- a. Wellhead shall be installed by manufacturer's representatives, submit documentation with subsequent sundry.
- b. If the welding is performed by a third party, the manufacturer's representative shall monitor the temperature to verify that it does not exceed the maximum temperature of the seal.
- c. Manufacturer representative shall install the test plug for the initial BOP test.
- d. If the cement does not circulate and one inch operations would have been possible with a standard wellhead, the well head shall be cut off, cementing operations performed and another wellhead installed.
- e. Whenever any seal subject to test pressure is broken, all the tests in OOGO2.III.A.2.i must be followed.

#### **D. SPECIAL REQUIREMENT (S)**

##### **Communitization Agreement**

- The operator will submit a Communitization Agreement to the Santa Fe Office, 301 Dinosaur Trail Santa Fe, New Mexico 87508, at least 90 days before the anticipated date of first production from a well subject to a spacing order issued by the New Mexico Oil Conservation Division. The Communitization Agreement will include the signatures of all working interest owners in all Federal and Indian leases subject to the Communitization Agreement (i.e., operating rights owners and lessees of record), or certification that the operator has obtained the written signatures of all such owners and will make those signatures available to the BLM immediately upon request.
- If the operator does not comply with this condition of approval, the BLM may take enforcement actions that include, but are not limited to, those specified in 43 CFR 3163.1.
- In addition, the well sign shall include the surface and bottom hole lease numbers. When the Communitization Agreement number is known, it shall also be on the sign.

##### **Offline Cementing**

- Contact the BLM prior to the commencement of any offline cementing procedure.

##### **BOP Break Testing Variance**

- BOP break testing is not permitted on this well.

## GENERAL REQUIREMENTS

The BLM is to be notified in advance for a representative to witness:

- a. Spudding well (minimum of 24 hours)
- b. Setting and/or Cementing of all casing strings (minimum of 4 hours)
- c. BOPE tests (minimum of 4 hours)

Eddy County

Call the Carlsbad Field Office, 620 East Greene St., Carlsbad, NM 88220,  
(575) 361-2822

Lea County

Call the Hobbs Field Station, 414 West Taylor, Hobbs NM 88240, (575)  
393-3612

1. Unless the production casing has been run and cemented or the well has been properly plugged, the drilling rig shall not be removed from over the hole without prior approval.
  - a. In the event the operator has proposed to drill multiple wells utilizing a skid/walking rig. Operator shall secure the wellbore on the current well, after installing and testing the wellhead, by installing a blind flange of like pressure rating to the wellhead and a pressure gauge that can be monitored while drilling is performed on the other well(s).
  - b. When the operator proposes to set surface casing with Spudder Rig
    - Notify the BLM when moving in and removing the Spudder Rig.
    - Notify the BLM when moving in the 2<sup>nd</sup> Rig. Rig to be moved in within 90 days of notification that Spudder Rig has left the location.
    - BOP/BOPE test to be conducted per Onshore Oil and Gas Order No. 2 as soon as 2nd Rig is rigged up on well.
2. Floor controls are required for 3M or Greater systems. These controls will be on the rig floor, unobstructed, readily accessible to the driller and will be operational at all times during drilling and/or completion activities. Rig floor is defined as the area immediately around the rotary table; the area immediately above the substructure on which the draw works are located, this does not include the dog house or stairway area.
3. The record of the drilling rate along with the GR/N well log run from TD to surface (horizontal well – vertical portion of hole) shall be submitted to the BLM office as well as all other logs run on the borehole 30 days from completion. If available, a digital copy of the logs is to be submitted in addition to the paper copies. The Rustler top and top and bottom of Salt are to be recorded on the Completion Report.



A. CASING

1. Changes to the approved APD casing program need prior approval if the items substituted are of lesser grade or different casing size or are Non-API. The Operator can exchange the components of the proposal with that of superior strength (i.e. changing from J-55 to N-80, or from 36# to 40#). Changes to the approved cement program need prior approval if the altered cement plan has less volume or strength or if the changes are substantial (i.e. Multistage tool, ECP, etc.). The initial wellhead installed on the well will remain on the well with spools used as needed.
2. Wait on cement (WOC) for Potash Areas: After cementing but before commencing any tests, the casing string shall stand cemented under pressure until both of the following conditions have been met: 1) cement reaches a minimum compressive strength of 500 psi for all cement blends, 2) until cement has been in place at least 24 hours. WOC time will be recorded in the driller's log. The casing integrity test can be done (prior to the cement setting up) immediately after bumping the plug.
3. Wait on cement (WOC) for Water Basin: After cementing but before commencing any tests, the casing string shall stand cemented under pressure until both of the following conditions have been met: 1) cement reaches a minimum compressive strength of 500 psi at the shoe, 2) until cement has been in place at least 8 hours. WOC time will be recorded in the driller's log. See individual casing strings for details regarding lead cement slurry requirements. The casing integrity test can be done (prior to the cement setting up) immediately after bumping the plug.
4. Provide compressive strengths including hours to reach required 500 pounds compressive strength prior to cementing each casing string. Have well specific cement details onsite prior to pumping the cement for each casing string.
5. No pea gravel permitted for remedial or fall back remedial without prior authorization from the BLM engineer.
6. On that portion of any well approved for a 5M BOPE system or greater, a pressure integrity test of each casing shoe shall be performed. Formation at the shoe shall be tested to a minimum of the mud weight equivalent anticipated to control the formation pressure to the next casing depth or at total depth of the well. This test shall be performed before drilling more than 20 feet of new hole.
7. If hardband drill pipe is rotated inside casing, returns will be monitored for metal. If metal is found in samples, drill pipe will be pulled and rubber protectors which have a larger diameter than the tool joints of the drill pipe will be installed prior to continuing drilling operations.
8. Whenever a casing string is cemented in the R-111-P potash area, the NMOCD requirements shall be followed.

## B. PRESSURE CONTROL

1. All blowout preventer (BOP) and related equipment (BOPE) shall comply with well control requirements as described in Onshore Oil and Gas Order No. 2 and API RP 53 Sec. 17.
2. If a variance is approved for a flexible hose to be installed from the BOP to the choke manifold, the following requirements apply: The flex line must meet the requirements of API 16C. Check condition of flexible line from BOP to choke manifold, replace if exterior is damaged or if line fails test. Line to be as straight as possible with no hard bends and is to be anchored according to Manufacturer's requirements. The flexible hose can be exchanged with a hose of equal size and equal or greater pressure rating. Anchor requirements, specification sheet and hydrostatic pressure test certification matching the hose in service, to be onsite for review. These documents shall be posted in the company man's trailer and on the rig floor.
3. 5M or higher system requires an HCR valve, remote kill line and annular to match. The remote kill line is to be installed prior to testing the system and tested to stack pressure.
4. If the operator has proposed a multi-bowl wellhead assembly in the APD. The following requirements must be met:
  - a. Wellhead shall be installed by manufacturer's representatives, submit documentation with subsequent sundry.
  - b. If the welding is performed by a third party, the manufacturer's representative shall monitor the temperature to verify that it does not exceed the maximum temperature of the seal.
  - c. Manufacturer representative shall install the test plug for the initial BOP test.
  - d. Whenever any seal subject to test pressure is broken, all the tests in OOGO2.III.A.2.i must be followed.
  - e. If the cement does not circulate and one inch operations would have been possible with a standard wellhead, the well head shall be cut off, cementing operations performed and another wellhead installed.
5. The appropriate BLM office shall be notified a minimum of 4 hours in advance for a representative to witness the tests.
  - a. In a water basin, for all casing strings utilizing slips, these are to be set as soon as the crew and rig are ready and any fallback cement remediation has been done. The casing cut-off and BOP installation can be initiated four hours after installing the slips, which will be approximately six hours after bumping the plug. For those casing strings not using slips, the minimum wait time before cut-off is eight hours after bumping the plug. BOP/BOPE testing can begin after cut-off or once cement reaches 500 psi compressive strength (including

lead when specified), whichever is greater. However, if the float does not hold, cut-off cannot be initiated until cement reaches 500 psi compressive strength (including lead when specified).

- b. In potash areas, for all casing strings utilizing slips, these are to be set as soon as the crew and rig are ready and any fallback cement remediation has been done. For all casing strings, casing cut-off and BOP installation can be initiated at twelve hours after bumping the plug. However, **no tests** shall commence until the cement has had a minimum of 24 hours setup time, except the casing pressure test can be initiated immediately after bumping the plug (only applies to single stage cement jobs).
- c. The tests shall be done by an independent service company utilizing a test plug not a cup or J-packer. The operator also has the option of utilizing an independent tester to test without a plug (i.e. against the casing) pursuant to Onshore Order 2 with the pressure not to exceed 70% of the burst rating for the casing. Any test against the casing must meet the WOC time for water basin (8 hours) or potash (24 hours) or 500 pounds compressive strength, whichever is greater, prior to initiating the test (see casing segment as lead cement may be critical item).
- d. The test shall be run on a 5000 psi chart for a 2-3M BOP/BOP, on a 10000 psi chart for a 5M BOP/BOPE and on a 15000 psi chart for a 10M BOP/BOPE. If a linear chart is used, it shall be a one hour chart. A circular chart shall have a maximum 2 hour clock. If a twelve hour or twenty-four hour chart is used, tester shall make a notation that it is run with a two hour clock.
- e. The results of the test shall be reported to the appropriate BLM office.
- f. All tests are required to be recorded on a calibrated test chart. A copy of the BOP/BOPE test chart and a copy of independent service company test will be submitted to the appropriate BLM office.
- g. The BOP/BOPE test shall include a low pressure test from 250 to 300 psi. The test will be held for a minimum of 10 minutes if test is done with a test plug and 30 minutes without a test plug. This test shall be performed prior to the test at full stack pressure.
- h. BOP/BOPE must be tested by an independent service company within 500 feet of the top of the Wolfcamp formation if the time between the setting of the intermediate casing and reaching this depth exceeds 20 days. This test does not exclude the test prior to drilling out the casing shoe as per Onshore Order No. 2.

C. DRILLING MUD

Mud system monitoring equipment, with derrick floor indicators and visual and audio alarms, shall be operating before drilling into the Wolfcamp formation, and shall be used until production casing is run and cemented.

D. WASTE MATERIAL AND FLUIDS

All waste (i.e. drilling fluids, trash, salts, chemicals, sewage, gray water, etc.) created as a result of drilling operations and completion operations shall be safely contained and disposed of properly at a waste disposal facility. No waste material or fluid shall be disposed of on the well location or surrounding area.

Porto-johns and trash containers will be on-location during fracturing operations or any other crew-intensive operations.

**NMK06122020**

**Operator Certification**

*I hereby certify that I, or someone under my direct supervision, have inspected the drill site and access route proposed herein; that I am familiar with the conditions which currently exist; that I have full knowledge of state and Federal laws applicable to this operation; that the statements made in this APD package are, to the best of my knowledge, true and correct; and that the work associated with the operations proposed herein will be performed in conformity with this APD package and the terms and conditions under which it is approved. I also certify that I, or the company I represent, am responsible for the operations conducted under this application. These statements are subject to the provisions of 18 U.S.C. 1001 for the filing of false statements.*

**NAME:** Leslie Reeves**Signed on:** 03/23/2020**Title:** Advisor Regulatory**Street Address:** 5 Greenway Plaza, Suite 110**City:** Houston**State:** TX**Zip:** 77046**Phone:** (713)497-2492**Email address:** Leslie\_Reeves@oxy.com**Field Representative****Representative Name:** Mike Wilson**Street Address:****City:****State:****Zip:****Phone:** (575)631-6618**Email address:** Michael\_Wilson@oxy.com

**APD ID:** 10400047826

**Submission Date:** 09/24/2019

Highlighted data reflects the most recent changes

**Operator Name:** OXY USA INCORPORATED

**Well Name:** NIMITZ MDP1 13 FEDERAL COM

**Well Number:** 23H

[Show Final Text](#)

**Well Type:** OIL WELL

**Well Work Type:** Drill

## Section 1 - General

**APD ID:** 10400047826

**Tie to previous NOS?** N

**Submission Date:** 09/24/2019

**BLM Office:** CARLSBAD

**User:** Leslie Reeves

**Title:** Advisor Regulatory

**Federal/Indian APD:** FED

**Is the first lease penetrated for production Federal or Indian?** FED

**Lease number:** NMNM082896

**Lease Acres:** 880

**Surface access agreement in place?**

**Allotted?**

**Reservation:**

**Agreement in place?** NO

**Federal or Indian agreement:**

**Agreement number:**

**Agreement name:**

**Keep application confidential?** Y

**Permitting Agent?** NO

**APD Operator:** OXY USA INCORPORATED

**Operator letter of designation:**

## Operator Info

**Operator Organization Name:** OXY USA INCORPORATED

**Operator Address:** 5 Greenway Plaza, Suite 110

**Zip:** 77046

**Operator PO Box:**

**Operator City:** Houston

**State:** TX

**Operator Phone:** (713)366-5716

**Operator Internet Address:**

## Section 2 - Well Information

**Well in Master Development Plan?** EXISTING

**Master Development Plan name:** Sand Dunes Area

**Well in Master SUPO?**

**Master SUPO name:**

**Well in Master Drilling Plan?**

**Master Drilling Plan name:**

**Well Name:** NIMITZ MDP1 13 FEDERAL COM

**Well Number:** 23H

**Well API Number:**

**Field/Pool or Exploratory?** Field and Pool

**Field Name:** COTTON DRAW  
BONE SPRING

**Pool Name:** COTTON DRAW  
BONE SPRING

**Is the proposed well in an area containing other mineral resources?** USEABLE WATER,POTASH

**Operator Name:** OXY USA INCORPORATED

**Well Name:** NIMITZ MDP1 13 FEDERAL COM

**Well Number:** 23H

**Is the proposed well in an area containing other mineral resources?** USEABLE WATER,POTASH

**Is the proposed well in a Helium production area?** N **Use Existing Well Pad?** N **New surface disturbance?**

**Type of Well Pad:** MULTIPLE WELL

**Multiple Well Pad Name:** Nimitz **Number:** 172H, 12H, 23H, MDP1 12-1 & 13 Federal Com 43H,44H & 172H 12H, 23H, 43H, 44H

**Well Class:** HORIZONTAL

**Number of Legs:** 1

**Well Work Type:** Drill

**Well Type:** OIL WELL

**Describe Well Type:**

**Well sub-Type:** INFILL

**Describe sub-type:**

**Distance to town:** 27 Miles

**Distance to nearest well:** 35 FT

**Distance to lease line:** 20 FT

**Reservoir well spacing assigned acres Measurement:** 640 Acres

**Well plat:** NimitzMDP113FdCom23H\_SitePlan\_20190923142133.pdf  
NimitzMDP113FdCom23H\_C\_102\_20190923150614.pdf

**Well work start Date:** 12/01/2020

**Duration:** 45 DAYS

### Section 3 - Well Location Table

**Survey Type:** RECTANGULAR

**Describe Survey Type:**

**Datum:** NAD83

**Vertical Datum:** NAVD88

**Survey number:**

**Reference Datum:** GROUND LEVEL

Wellbore	NS-Foot	NS Indicator	EW-Foot	EW Indicator	Twsp	Range	Section	Aliquot/Lot/Tract	Latitude	Longitude	County	State	Meridian	Lease Type	Lease Number	Elevation	MD	TVD	Will this well produce from this lease?
SHL Leg #1	659	FSL	1798	FWL	24S	30E	12	Aliquot SESW	32.226966	-103.837104	EDD Y	NEW MEXI CO	NEW MEXI CO	F	NMNM 082896	3504	0	0	N
KOP Leg #1	50	FNL	2250	FWL	24S	30E	13	Aliquot NENW	32.225013	-103.835637	EDD Y	NEW MEXI CO	NEW MEXI CO	F	NMNM 082896	5210	9037	8714	N

Operator Name: OXY USA INCORPORATED

Well Name: NIMITZ MDP1 13 FEDERAL COM

Well Number: 23H

Wellbore	NS-Foot	NS Indicator	EW-Foot	EW Indicator	Twsp	Range	Section	Aliquot/Lot/Tract	Latitude	Longitude	County	State	Meridian	Lease Type	Lease Number	Elevation	MD	TVD	Will this well produce from this lease?
PPP Leg #1-1	100	FNL	2250	FWL	24S	30E	13	Aliquot NENW	32.224876	-103.835637	EDD Y	NEW MEXICO	NEW MEXICO	F	NMNM 082896	-5214	9087	8718	Y
PPP Leg #1-2	1330	FNL	2250	FWL	24S	30E	13	Aliquot SENW	32.221517	-103.83565	EDD Y	NEW MEXICO	NEW MEXICO	F	NMNM 120897	-5214	10308	8718	Y
EXIT Leg #1	100	FSL	2250	FWL	24S	30E	13	Aliquot SESW	32.210905	-103.835692	EDD Y	NEW MEXICO	NEW MEXICO	F	NMNM 120897	-5216	14170	8720	Y
BHL Leg #1	20	FSL	2250	FWL	24S	30E	13	Aliquot SESW	32.210685	-103.835693	EDD Y	NEW MEXICO	NEW MEXICO	F	NMNM 120897	-5216	14250	8720	N



**APD ID:** 10400047826

**Submission Date:** 09/24/2019

Highlighted data reflects the most recent changes

**Operator Name:** OXY USA INCORPORATED

**Well Name:** NIMITZ MDP1 13 FEDERAL COM

**Well Number:** 23H

[Show Final Text](#)

**Well Type:** OIL WELL

**Well Work Type:** Drill

## Section 1 - Geologic Formations

Formation ID	Formation Name	Elevation	True Vertical Depth	Measured Depth	Lithologies	Mineral Resources	Producing Formation
544603	RUSTLER	3504	501	501	ANHYDRITE, DOLOMITE, SHALE	USEABLE WATER	N
544604	SALADO	2650	854	854	ANHYDRITE, DOLOMITE, HALITE, SHALE	OTHER : SALT	N
544601	CASTILE	762	2742	2742	ANHYDRITE	OTHER : salt	N
544605	LAMAR	-686	4190	4190	LIMESTONE, SANDSTONE, SILTSTONE	NATURAL GAS, OIL, OTHER : BRINE	N
544606	BELL CANYON	-713	4217	4217	SANDSTONE, SILTSTONE	NATURAL GAS, OIL, OTHER, USEABLE WATER : BRINE	N
544607	CHERRY CANYON	-1608	5112	5112	SANDSTONE, SILTSTONE	NATURAL GAS, OIL, OTHER : BRINE	N
544608	BRUSHY CANYON	-2867	6371	6387	LIMESTONE, SANDSTONE, SILTSTONE	NATURAL GAS, OIL, OTHER : BRINE	N
544602	BONE SPRING	-4575	8079	8120	LIMESTONE, SANDSTONE, SILTSTONE	NATURAL GAS, OIL	Y

## Section 2 - Blowout Prevention

**Pressure Rating (PSI):** 5M

**Rating Depth:** 8720

**Equipment:** 13-5/8" 5M Annular, Blind Ram, Double Ram

**Requesting Variance?** YES

**Variance request:** Request for the use of a flexible choke line from the BOP to Choke Manifold.

**Testing Procedure:** BOP/BOPE will be tested by an independent service company to 250 psi low and the high pressure indicated above per Onshore Order 2 requirements. The System may be upgraded to a higher pressure but still tested to the working pressure listed in the table above. If the system is upgraded all the components installed will be functional and tested. Pipe rams will be operationally checked each 24 hour period. Blind rams will be operationally checked on each trip out of the hole. These checks will be noted on the daily tour sheets. Other accessories to the BOP equipment will include a Kelly cock and floor safety valve (inside BOP) and choke lines and choke manifold. A multibowl wellhead or a unionized multibowl wellhead system will be employed. The wellhead and connection to the BOPE will meet all API 6A requirements. The BOP will be tested per Onshore Order #2 after installation on the surface casing which will cover testing requirements for a maximum of 30 days. If any seal subject to test pressure is broken the system will be tested. We will test the flange connection of the wellhead with a test port that is directly in the flange. BOP Break Testing Request Oxy requests permission to adjust the BOP break testing requirements as per the agreement reached in the OXY/BLM meeting on September 5, 2019. A separate sundry will be sent prior to spud that reflects the pad based break testing plan. BOP break test under the following conditions: After a full BOP test is conducted When skidding to drill an intermediate section where ICP is set into the third

**Operator Name:** OXY USA INCORPORATED

**Well Name:** NIMITZ MDP1 13 FEDERAL COM

**Well Number:** 23H

Bone Spring or shallower. When skidding to drill a production section that does not penetrate into the third Bone Spring or deeper. If the kill line is broken prior to skid, two tests will be performed. 1) Wellhead flange, co-flex hose, kill line connections and upper pipe rams 2) Wellhead flange, HCR valve, check valve, upper pipe rams If the kill line is not broken prior to skid, only one test will be performed. 1) Wellhead flange, co-flex hose, check valve, upper pipe rams

**Choke Diagram Attachment:**

NimitzMDP113FdCom23H\_ChokeManifold\_20190923144705.pdf

**BOP Diagram Attachment:**

NimitzMDP113FdCom23H\_BOP5M\_20190923144711.pdf

NimitzMDP113FdCom23H\_FlexHoseCert\_20190923144718.pdf

**Section 3 - Casing**

Casing ID	String Type	Hole Size	Csg Size	Condition	Standard	Tapered String	Top Set MD	Bottom Set MD	Top Set TVD	Bottom Set TVD	Top Set MSL	Bottom Set MSL	Calculated casing length MD	Grade	Weight	Joint Type	Collapse SF	Burst SF	Joint SF Type	Joint SF	Body SF Type	Body SF
1	SURFACE	17.5	13.375	NEW	API	N	0	551	0	551	3504	2953	551	J-55	54.5	BUTT	1.125	1.2	BUOY	1.4	BUOY	1.4
2	INTERMEDIATE	12.25	9.625	NEW	API	N	0	4240	0	4240		-736	4240	L-80	40	BUTT	1.125	1.2	BUOY	1.4	BUOY	1.4
3	PRODUCTION	8.5	5.5	NEW	API	Y	0	8737	0	8612		-5108	8737	P-110	20	OTHER - DQX/SFTORQ	1.125	1.2	BUOY	1.4	BUOY	1.4
4	PRODUCTION	8.5	4.5	NEW	API	Y	8737	14249	8612	8721	-5108	-5217	5512	P-110	13.5	OTHER - DQX/SFTORQ/DQW	1.125	1.2	BUOY	1.4	BUOY	1.4

**Casing Attachments**

**Operator Name:** OXY USA INCORPORATED

**Well Name:** NIMITZ MDP1 13 FEDERAL COM

**Well Number:** 23H

### Casing Attachments

---

**Casing ID:** 1      **String Type:** SURFACE

**Inspection Document:**

**Spec Document:**

**Tapered String Spec:**

**Casing Design Assumptions and Worksheet(s):**

NimitzMDP113FdCom23H\_CsgCriteria\_20190923144801.pdf

---

**Casing ID:** 2      **String Type:** INTERMEDIATE

**Inspection Document:**

**Spec Document:**

**Tapered String Spec:**

**Casing Design Assumptions and Worksheet(s):**

NimitzMDP113FdCom23H\_CsgCriteria\_20190923144822.pdf

---

**Casing ID:** 3      **String Type:** PRODUCTION

**Inspection Document:**

**Spec Document:**

**Tapered String Spec:**

NimitzMDP113FdCom23H\_5.500in\_x\_20\_20190923144929.00

NimitzMDP113FdCom23H\_5.500in\_x\_20\_20190923144932.00

NimitzMDP113FdCom23H\_5.500in\_x\_20\_20190923144936.00

**Casing Design Assumptions and Worksheet(s):**

NimitzMDP113FdCom23H\_CsgCriteria\_20190923144944.pdf

---

Operator Name: OXY USA INCORPORATED

Well Name: NIMITZ MDP1 13 FEDERAL COM

Well Number: 23H

### Casing Attachments

Casing ID: 4 String Type: PRODUCTION

Inspection Document:

Spec Document:

Tapered String Spec:

NimitzMDP113FdCom23H\_4.500in\_x\_13\_20190923145045.50

TMK\_UP\_TORQ\_DQW\_4.5\_x\_13.5\_P110\_CY\_20200217122305.pdf

TMK\_UP\_DQX\_4.500in\_x\_13\_20200217122311.50

Casing Design Assumptions and Worksheet(s):

NimitzMDP113FdCom23H\_CsgCriteria\_20190923145059.pdf

### Section 4 - Cement

String Type	Lead/Tail	Stage Tool Depth	Top MD	Bottom MD	Quantity (sx)	Yield	Density	Cu Ft	Excess%	Cement type	Additives
SURFACE	Lead		0	551	587	1.33	14.8	781	100	CI C	Accelerator

INTERMEDIATE	Lead		0	3740	982	1.73	12.9	1699	50	Pozzolan C	Retarder
INTERMEDIATE	Tail		3740	4240	155	1.33	14.8	206	20	CI C	Accelerator
PRODUCTION	Lead	2	0	6621	955	1.87	12.9	1788	25	CI C	Accelerator

PRODUCTION	Lead	2	6621	8079	255	1.38	13.2	351	5	CI H	Retarder, Dispersant, Salt
PRODUCTION	Tail		8079	14249	1084	1.38	13.2	1496	5	CI H	Retarder, Dispersant, Salt

**Operator Name:** OXY USA INCORPORATED

**Well Name:** NIMITZ MDP1 13 FEDERAL COM

**Well Number:** 23H

### Section 5 - Circulating Medium

**Mud System Type:** Closed

**Will an air or gas system be Used?** NO

**Description of the equipment for the circulating system in accordance with Onshore Order #2:**

**Diagram of the equipment for the circulating system in accordance with Onshore Order #2:**

**Describe what will be on location to control well or mitigate other conditions:** Sufficient mud materials to maintain mud properties and meet minimum lost circulation and weight increase requirements. The following is a general list of products: Barite, Bentonite, Gypsum, Lime, Soda Ash, Caustic Soda, Nut Plug, Cedar Fiber, Cotton Seed Hulls, Drilling Paper, Salt Water Clay, CaCl<sub>2</sub>.

**Describe the mud monitoring system utilized:** PVT/MD Totco/Visual Monitoring

### Circulating Medium Table

Top Depth	Bottom Depth	Mud Type	Min Weight (lbs/gal)	Max Weight (lbs/gal)	Density (lbs/cu ft)	Gel Strength (lbs/100 sqft)	PH	Viscosity (CP)	Salinity (ppm)	Filtration (cc)	Additional Characteristics
4240	1424 9	OTHER : Water-Based and/or Oil-Based Mud	8	9.6							
0	551	WATER-BASED MUD	8.6	8.8							
551	4240	OTHER : Saturated Brine Based Mud or Oil-Based Mud	9.8	10							

**Operator Name:** OXY USA INCORPORATED

**Well Name:** NIMITZ MDP1 13 FEDERAL COM

**Well Number:** 23H

## Section 6 - Test, Logging, Coring

**List of production tests including testing procedures, equipment and safety measures:**

GR from TD to surface (horizontal well – vertical portion of hole). Mud Log from intermediate shoe to TD.

**List of open and cased hole logs run in the well:**

GAMMA RAY LOG, MUD LOG/GEOLOGIC LITHOLOGY LOG, MUD LOG/GEOLOGICAL LITHOLOGY LOG,

**Coring operation description for the well:**

No coring is planned at this time.

## Section 7 - Pressure

**Anticipated Bottom Hole Pressure:** 4354

**Anticipated Surface Pressure:** 2435

**Anticipated Bottom Hole Temperature(F):** 150

**Anticipated abnormal pressures, temperatures, or potential geologic hazards?** NO

**Describe:**

**Contingency Plans geohazards description:**

**Contingency Plans geohazards attachment:**

**Hydrogen Sulfide drilling operations plan required?** YES

**Hydrogen sulfide drilling operations plan:**

NimitzMDP113FdCom23H\_H2S1\_20190923145617.pdf

NimitzMDP113FdCom23H\_H2S2\_20190923145621.pdf

NimitzMDP113FdCom23H\_H2SEmerCont\_20190923145625.pdf

## Section 8 - Other Information

**Proposed horizontal/directional/multi-lateral plan submission:**

NimitzMDP113FdCom23H\_DirectPlot\_20190923145645.pdf

NimitzMDP113FdCom23H\_DirectPlan\_20190923145652.pdf

**Other proposed operations facets description:**

OXY requests the option to set casing shallower yet still below the salts if losses or hole conditions require this. Cement volumes may be adjusted if casing is set shallower and a DV tool will be run in case a contingency second stage is required for cement to reach surface. If cement circulated to surface during first stage we will drop a cancelation cone and not pump the second stage.

OXY requests the option to run production casing with DQX and/or SF TORQ connections to accommodate hole conditions or drilling operations.

OXY requests to pump a two stage cement job on the intermediate II casing string with the first stage being pumped conventionally with the calculated TOC @ the Bone Spring and the second stage performed as a bradenhead squeeze with planned cement from the Bone Spring to surface.

Annular Clearance Variance Request - As per the agreement reached in the OXY/BLM meeting on Feb 22,

**Operator Name:** OXY USA INCORPORATED

**Well Name:** NIMITZ MDP1 13 FEDERAL COM

**Well Number:** 23H

2018, Oxy requests permission to allow deviation from the 0.422 annular clearance requirement from Onshore Order #2 under the following conditions:

1. Annular clearance to meet or exceed 0.422 between intermediate casing ID and production casing coupling only on the first 500 overlap between both casings.
2. Annular clearance less than 0.422 is acceptable for the curve and lateral portions of the production open hole section.

Well will be drilled with a walking/skidding operation. Plan to drill the multiple well pad in batch by section: all surface sections, intermediate sections and production sections. The wellhead will be secured with a night cap whenever the rig is not over the well.

OXY requests the option to contract a Surface Rig to drill, set surface casing, and cement for this well. If the timing between rigs is such that OXY would not be able to preset surface, the Primary Rig will MIRU and drill the well in its entirety per the APD. Please see the attached document for information on the spudder rig.

OXY respectfully requests a variance to cement the 9-5/8 and/or 7-5/8 intermediate casing strings offline. The summarized operational sequence will be as follows:

1. Run casing as per normal operations. While running casing, conduct negative pressure test and confirm integrity of the float equipment (float collar and shoe).
2. Land casing.
3. Fill pipe with kill weight fluid, and confirm well is static.
  - a. If well is not static notify BLM and kill well.
  - b. Once well is static notify BLM with intent to proceed with nipple down and offline cementing.
4. Set and pressure test annular packoff.
5. After confirmation of both annular barriers and internal barriers, nipple down BOP and install cap flange. If any barrier fails to test, the BOP stack will not be nipped down until after the cement job is completed.
6. Skid rig to next well on pad.
7. Confirm well is static before removing cap flange.
8. If well is not static notify BLM and kill well prior to cementing or nipping up for further remediation.
9. Install offline cement tool.
10. Rig up cement equipment.
  - a. Notify BLM prior to cement job.
11. Perform cement job.
12. Confirm well is static and floats are holding after cement job.
13. Remove cement equipment, offline cement tools and install night cap with pressure gauge for monitoring.

Oxy requests permission to adjust the CBL requirement after bradenhead cement jobs, on 7-5/8 intermediate casings, as per the agreement reached in the OXY/BLM meeting on September 5, 2019.

Three string wells:

CBL will be required on one well per pad

If the pumped volume of cement is less than permitted in the APD, BLM will be notified and a CBL may be run

Echometer will be used after bradenhead cement job to determine TOC before pumping top-out cement

**Other proposed operations facets attachment:**

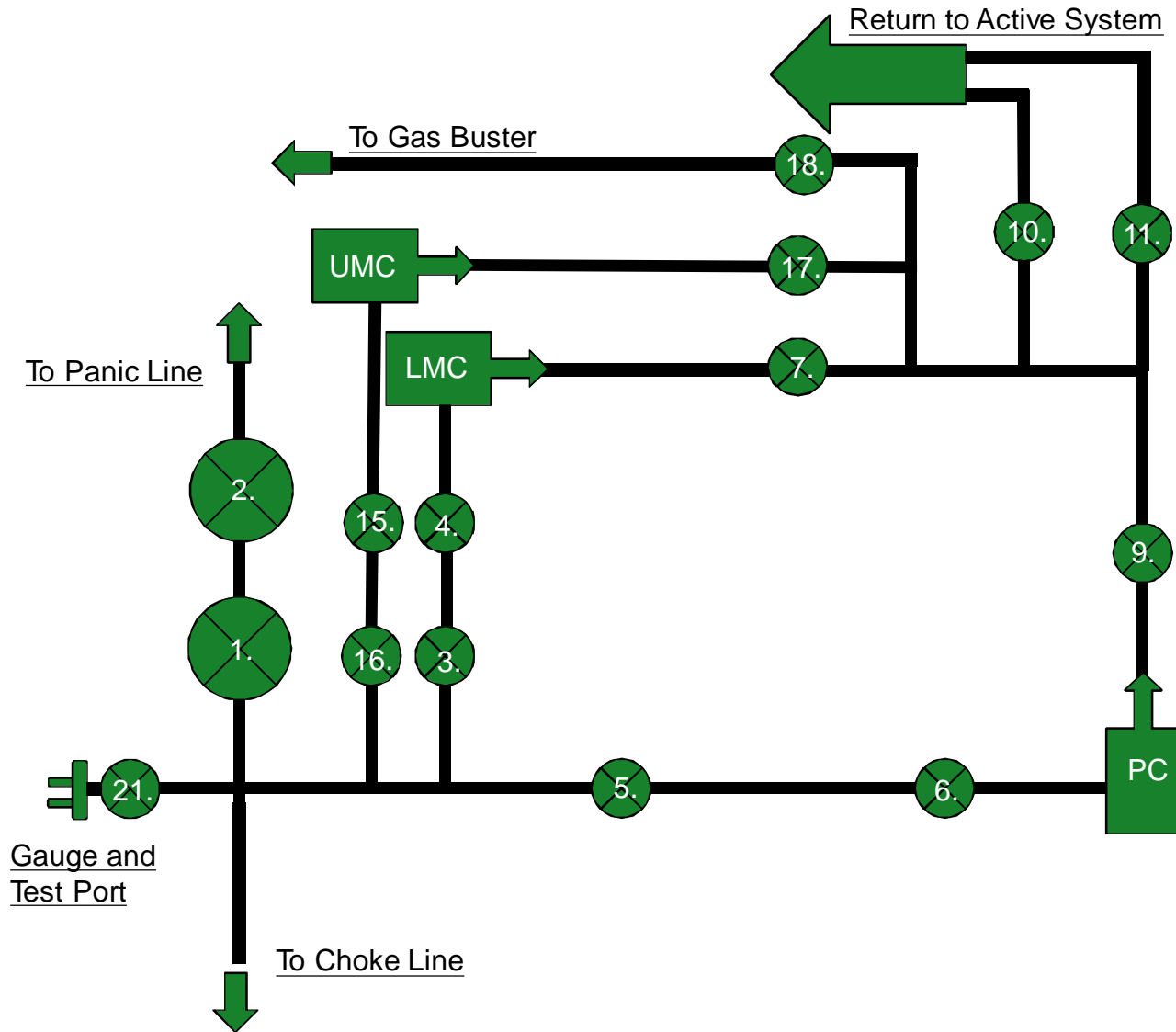
NimitzMDP113FdCom23H\_GasCapPlan\_20190923150248.pdf

NimitzMDP113FdCom23H\_SpudRigData\_20190923150253.pdf

NimitzMDP113FdCom23H\_DrillPlan10DayLEtter\_20200217122641.pdf

**Other Variance attachment:**

# 10M Choke Panel

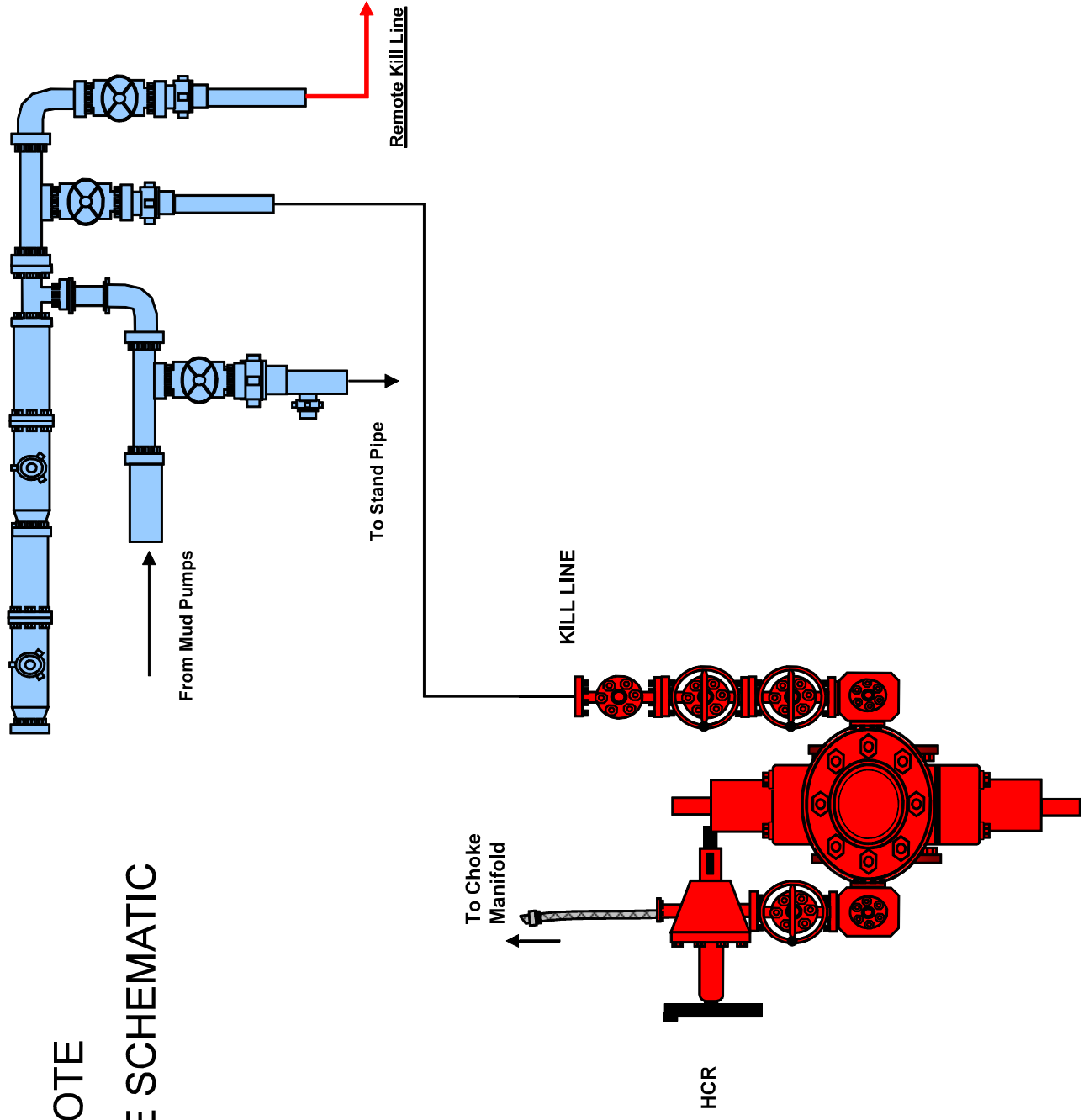


- 1. Choke Manifold Valve
- 2. Choke Manifold Valve
- 3. Choke Manifold Valve
- 4. Choke Manifold Valve
- 5. Choke Manifold Valve
- 6. Choke Manifold Valve
- 7. Choke Manifold Valve
- 8. PC – Power Choke
- 9. Choke Manifold Valve
- 10. Choke Manifold Valve
- 11. Choke Manifold Valve
- 12. LMC – Lower Manual Choke
- 13. UMC – Upper manual choke
- 15. Choke Manifold Valve
- 16. Choke Manifold Valve
- 17. Choke Manifold Valve
- 18. Choke Manifold Valve
- 21. Vertical Choke Manifold Valve

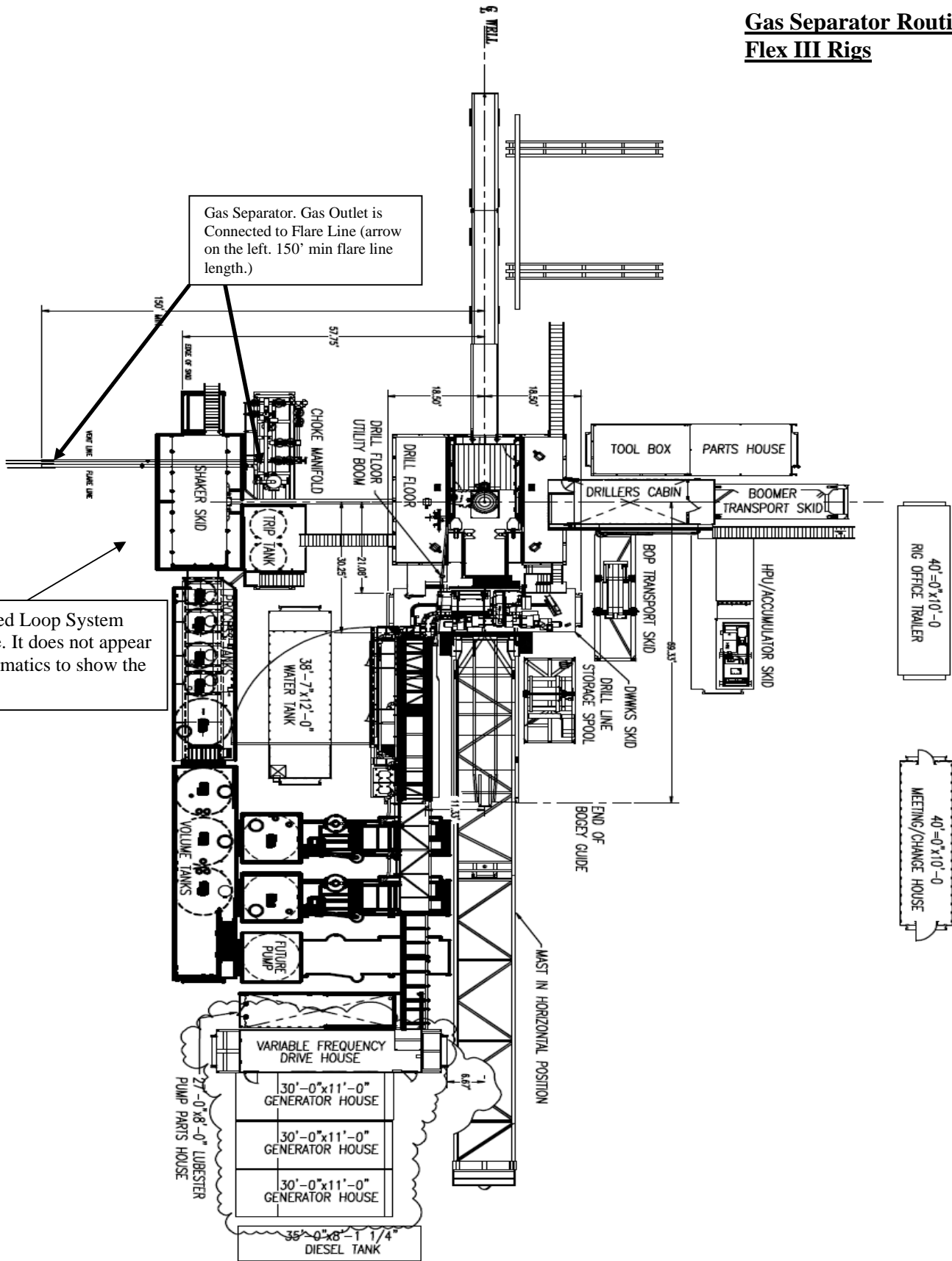
**\*All Valves 3” minimum**



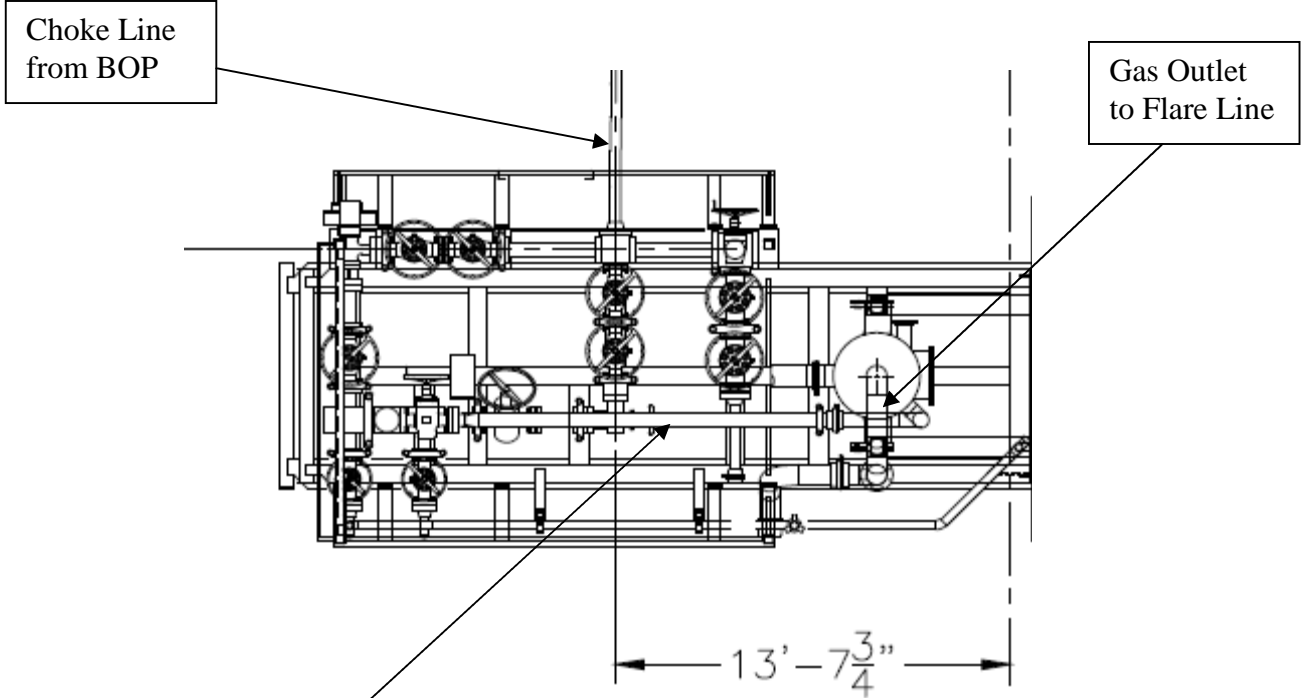
# 10M REMOTE KILL LINE SCHEMATIC



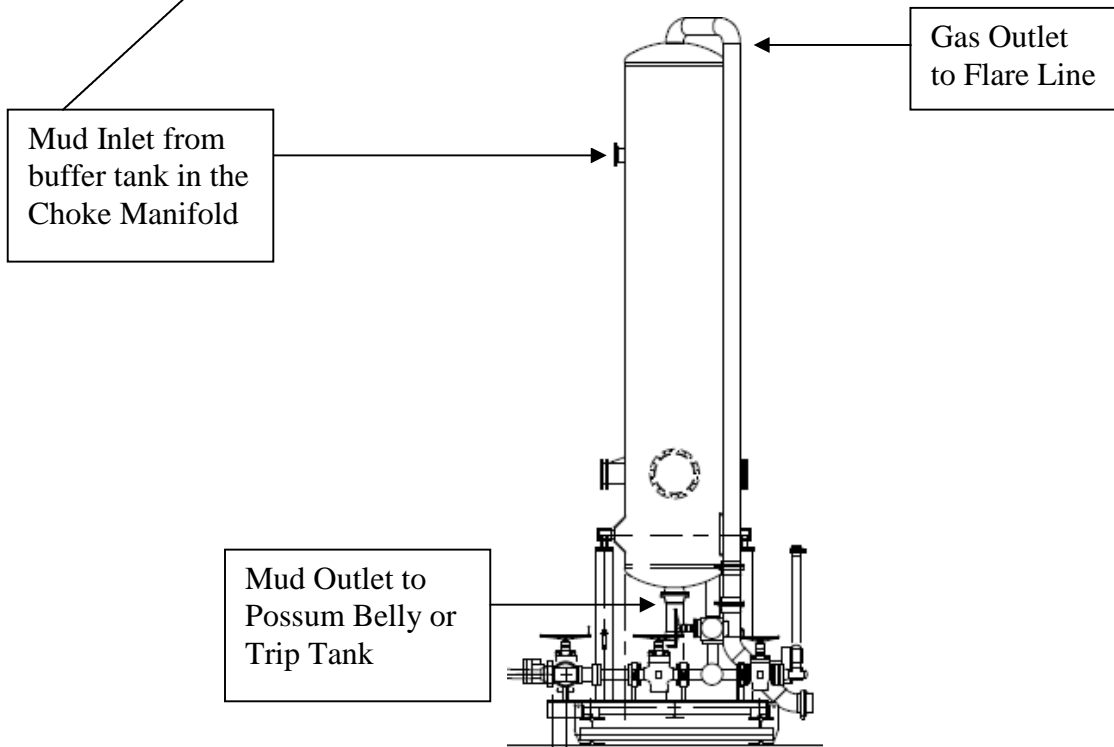
# Gas Separator Routing Flex III Rigs



**Choke Manifold – Gas Separator (Top View)**



**Choke Manifold – Gas Separator (Side View)**

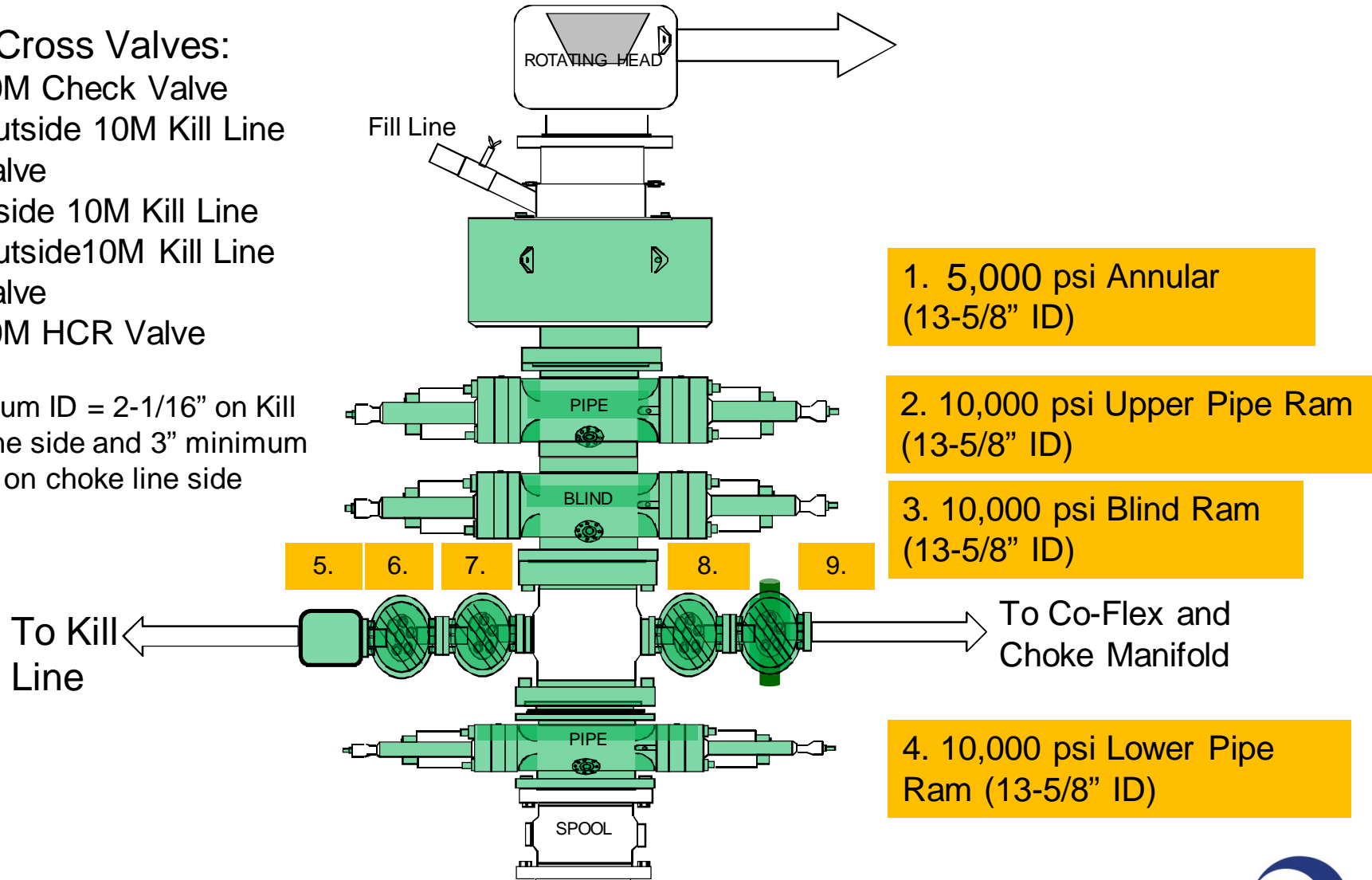


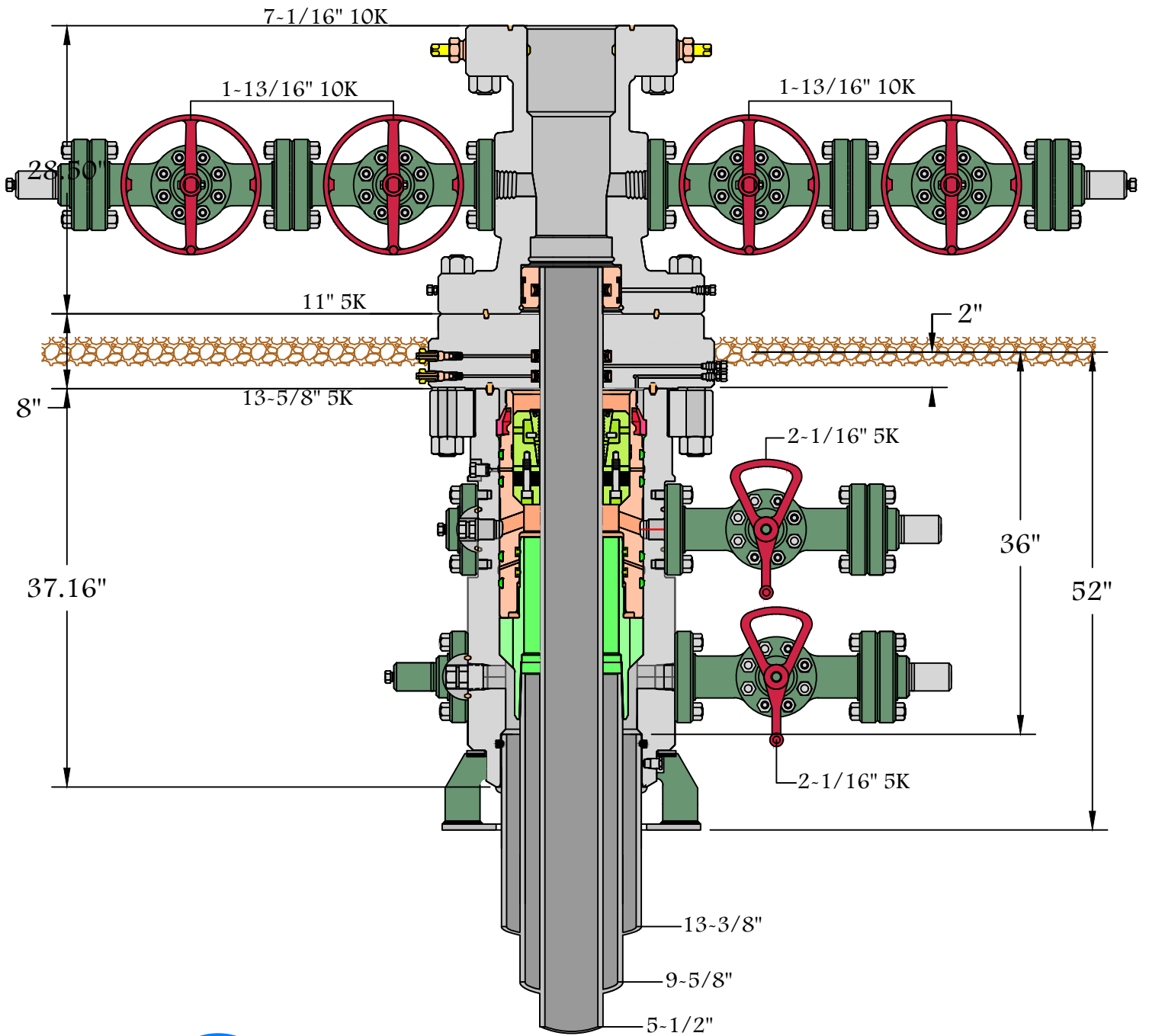
# 5/10M BOP Stack

## Mud Cross Valves:

5. 10M Check Valve
6. Outside 10M Kill Line Valve
7. Inside 10M Kill Line Valve
8. Outside 10M Kill Line Valve
9. 10M HCR Valve

\*Minimum ID = 2-1/16" on Kill Line side and 3" minimum ID on choke line side





13-5/8" 5K MN-DS



Name: Brandon	Date: 5-10-17	Working Pressure:	# 1505172
---------------	---------------	-------------------	-----------



## **Permian Drilling Hydrogen Sulfide Drilling Operations Plan Nimitz MDP1 13 Fed Com 23H**

Open drill site. No homes or buildings are near the proposed location.

### 1. Escape

Personnel shall escape upwind of wellbore in the event of an emergency gas release. Escape can take place through the lease road on the Southeast side of the location. Personnel need to move to a safe distance and block the entrance to location. If the primary route is not an option due to the wind direction, then a secondary egress route should be taken.

▲ H2S Detectors. At least three detectors will be installed: bell nipple, rig floor and Shakers.

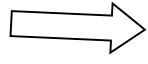
● Briefing Areas. At least two briefing areas will be placed, 90 deg off.

■ Wind direction indicators. Visible from rig floor and from the mud pits area.

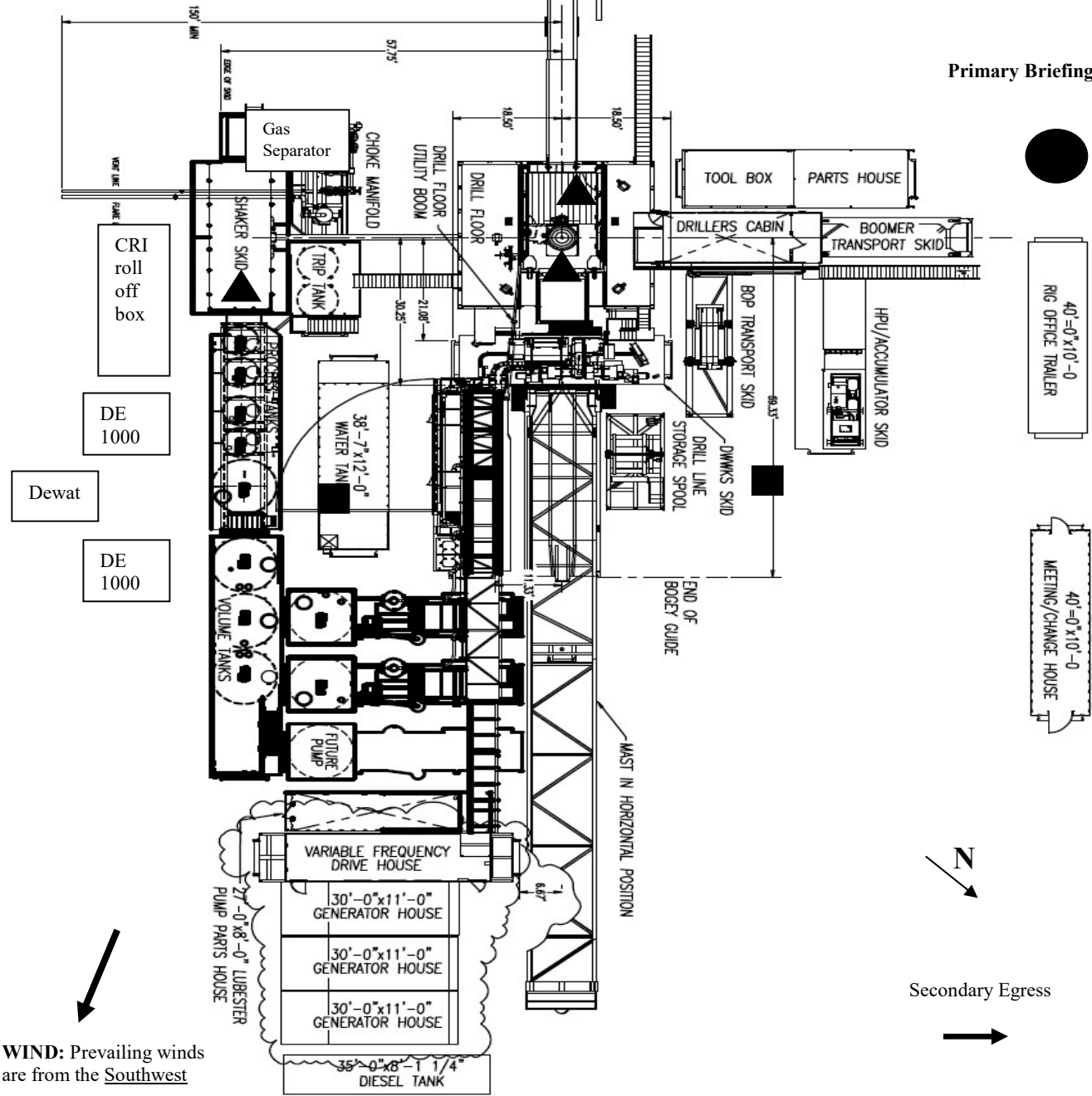
A gas buster is connected to both the choke manifold and flowline outlets.

Secondary Briefing Area

Exit to road. Caution sign placed here.



Primary Briefing Area



WIND: Prevailing winds are from the Southwest



Secondary Egress





# **Permian Drilling Hydrogen Sulfide Drilling Operations Plan New Mexico**

## **Scope**

This contingency plan establishes guidelines for the public, all company employees, and contract employees who's work activities may involve exposure to hydrogen sulfide (H<sub>2</sub>S) gas.

While drilling this well, it is possible to encounter H<sub>2</sub>S bearing formations. At all times, the first barrier to control H<sub>2</sub>S emissions will be the drilling fluid, which will have a density high enough to control influx.

## **Objective**

1. Provide an immediate and predetermined response plan to any condition when H<sub>2</sub>S is detected. All H<sub>2</sub>S detections in excess of 10 parts per million (ppm) concentration are considered an Emergency.
2. Prevent any and all accidents, and prevent the uncontrolled release of hydrogen sulfide into the atmosphere.
3. Provide proper evacuation procedures to cope with emergencies.
4. Provide immediate and adequate medical attention should an injury occur.



## Discussion

Implementation:	This plan with all details is to be fully implemented before drilling to <u>commence</u> .
Emergency response Procedure:	This section outlines the conditions and denotes steps to be taken in the event of an emergency.
Emergency equipment Procedure:	This section outlines the safety and emergency equipment that will be required for the drilling of this well.
Training provisions:	This section outlines the training provisions that must be adhered to prior to drilling.
Drilling emergency call lists:	Included are the telephone numbers of all persons to be contacted should an emergency exist.
Briefing:	This section deals with the briefing of all people involved in the drilling operation.
Public safety:	Public safety personnel will be made aware of any potential evacuation and any additional support needed.
Check lists:	Status check lists and procedural check lists have been included to insure adherence to the plan.
General information:	A general information section has been included to supply support information.

## Hydrogen Sulfide Training

All personnel, whether regularly assigned, contracted, or employed on an unscheduled basis, will receive training from a qualified instructor in the following areas prior to commencing drilling operations on the well:

1. The hazards and characteristics of H<sub>2</sub>S.
2. Proper use and maintenance of personal protective equipment and life support systems.
3. H<sub>2</sub>S detection.
4. Proper use of H<sub>2</sub>S detectors, alarms, warning systems, briefing areas, evacuation procedures and prevailing winds.
5. Proper techniques for first aid and rescue procedures.
6. Physical effects of hydrogen sulfide on the human body.
7. Toxicity of hydrogen sulfide and sulfur dioxide.
8. Use of SCBA and supplied air equipment.
9. First aid and artificial respiration.
10. Emergency rescue.

In addition, supervisory personnel will be trained in the following areas:

1. The effects of H<sub>2</sub>S on metal components. If high tensile strength tubular is to be used, personnel will be trained in their special maintenance requirements.
2. Corrective action and shut-in procedures when drilling a well, blowout prevention and well control procedures.
3. The contents and requirements of the H<sub>2</sub>S Drilling Operations Plan.

H<sub>2</sub>S training refresher must have been taken within one year prior to drilling the well. Specifics on the well to be drilled will be discussed during the pre-spud meeting. H<sub>2</sub>S and well control (choke) drills will be performed while drilling the well, at least on a weekly basis. This plan shall be available in the well site. All personnel will be required to carry the documentation proving that the H<sub>2</sub>S training has been taken.

### Service company and visiting personnel

- A. Each service company that will be on this well will be notified if the zone contains H<sub>2</sub>S.
- B. Each service company must provide for the training and equipment of their employees before they arrive at the well site.
- C. Each service company will be expected to attend a well site briefing

## Emergency Equipment Requirements

### 1. Well control equipment

The well shall have hydraulic BOP equipment for the anticipated pressures. Equipment is to be tested on installation and follow Oxy Well Control standard, as well as BLM Onshore Order #2.

*Special control equipment:*

- A. Hydraulic BOP equipment with remote control on ground. Remotely operated choke.
- B. Rotating head
- C. Gas buster equipment shall be installed before drilling out of surface pipe.

### 2. Protective equipment for personnel

- A. Four (4) 30-minute positive pressure air packs (2 at each briefing area) on location.
- B. Adequate fire extinguishers shall be located at strategic locations.
- C. Radio / cell telephone communication will be available at the rig.
  - Rig floor and trailers.
  - Vehicle.

### 3. Hydrogen sulfide sensors and alarms

- A. H<sub>2</sub>S sensor with alarms will be located on the rig floor, at the bell nipple, and at the flow line. These monitors will be set to alarm at 10 ppm with strobe light, and audible alarm.
- B. Hand operated detectors with tubes.
- C. H<sub>2</sub>S monitor tester (to be provided by contract Safety Company.)
- D. There shall be one combustible gas detector on location at all times.

### 4. Visual Warning Systems

- A. One sign located at each location entrance with the following language:

**Caution – potential poison gas  
Hydrogen sulfide  
No admittance without authorization**

*Wind sock – wind streamers:*

- A. One 36” (in length) wind sock located at protection center, at height visible from rig floor.
- B. One 36” (in length) wind sock located at height visible from pit areas.

*Condition flags*

- A. One each condition flag to be displayed to denote conditions.

**green – normal conditions**  
**yellow – potential danger**  
**red – danger, H2S present**

- B. Condition flag shall be posted at each location sign entrance.

5. Mud Program

The mud program is designed to minimize the risk of having H2S and other formation fluids at surface. Proper mud weight and safe drilling practices will be applied. H2S scavengers will be used to minimize the hazards while drilling. Below is a summary of the drilling program.

*Mud inspection devices:*

Garrett gas train or hatch tester for inspection of sulfide concentration in mud system.

6. Metallurgy

- A. Drill string, casing, tubing, wellhead, blowout preventers, drilling spools or adapters, kill lines, choke manifold, lines and valves shall be suitable for the H2S service.
- B. All the elastomers, packing, seals and ring gaskets shall be suitable for H2S service.

7. Well Testing

No drill stem test will be performed on this well.

8. Evacuation plan

Evacuation routes should be established prior to well spud for each well and discussed with all rig personnel.

9. Designated area

- A. Parking and visitor area: all vehicles are to be parked at a predetermined safe distance from the wellhead.
- B. There will be a designated smoking area.
- C. Two briefing areas on either side of the location at the maximum allowable distance from the well bore so they offset prevailing winds perpendicularly, or at a 45-degree angle if wind direction tends to shift in the area.

**Emergency procedures**

- A. In the event of any evidence of H<sub>2</sub>S level above 10 ppm, take the following steps:
  - 1. The Driller will pick up off bottom, shut down the pumps, slow down the pipe rotation.
  - 2. Secure and don escape breathing equipment, report to the upwind designated safe briefing / muster area.
  - 3. All personnel on location will be accounted for and emergency search should begin for any missing, the Buddy System will be implemented.
  - 4. Order non-essential personnel to leave the well site, order all essential personnel out of the danger zone and upwind to the nearest designated safe briefing / muster area.
  - 5. Entrance to the location will be secured to a higher level than our usual “Meet and Greet” requirement, and the proper condition flag will be displayed at the entrance to the location.
  - 6. Take steps to determine if the H<sub>2</sub>S level can be corrected or suppressed and, if so, proceed as required.
- B. If uncontrollable conditions occur:
  - 1. Take steps to protect and/or remove any public in the down-wind area from the rig – partial evacuation and isolation. Notify necessary public safety personnel and appropriate regulatory entities (i.e. BLM) of the situation.

2. Remove all personnel to the nearest upwind designated safe briefing / muster area or off location.
3. Notify public safety personnel of safe briefing / muster area.
4. An assigned crew member will blockade the entrance to the location. No unauthorized personnel will be allowed entry to the location.
5. Proceed with best plan (at the time) to regain control of the well. Maintain tight security and safety procedures.

C. Responsibility:

1. Designated personnel.
  - a. Shall be responsible for the total implementation of this plan.
  - b. Shall be in complete command during any emergency.
  - c. Shall designate a back-up.

All personnel:

1. On alarm, don escape unit and report to the nearest upwind designated safe briefing / muster area upw
2. Check status of personnel (buddy system).
3. Secure breathing equipment.
4. Await orders from supervisor.

Drill site manager:

1. Don escape unit if necessary and report to nearest upwind designated safe briefing / muster area.
2. Coordinate preparations of individuals to return to point of release with tool pusher and driller (using the buddy system).
3. Determine H2S concentrations.
4. Assess situation and take control measures.

Tool pusher:

1. Don escape unit Report to up nearest upwind designated safe briefing / muster area.
2. Coordinate preparation of individuals to return to point of release with tool pusher drill site manager (using the buddy system).
3. Determine H2S concentration.
4. Assess situation and take control measures.

Driller:

1. Don escape unit, shut down pumps, continue

- rotating DP.
  - 2. Check monitor for point of release.
  - 3. Report to nearest upwind designated safe briefing / muster area.
  - 4. Check status of personnel (in an attempt to rescue, use the buddy system).
  - 5. Assigns least essential person to notify Drill Site Manager and tool pusher by quickest means in case of their absence.
  - 6. Assumes the responsibilities of the Drill Site Manager and tool pusher until they arrive should they be absent.
- Derrick man  
Floor man #1  
Floor man #2
- 1. Will remain in briefing / muster area until instructed by supervisor.
- Mud engineer:
- 1. Report to nearest upwind designated safe briefing / muster area.
  - 2. When instructed, begin check of mud for ph and H2S level. (Garett gas train.)
- Safety personnel:
- 1. Mask up and check status of all personnel and secure operations as instructed by drill site manager.

**Taking a kick**

When taking a kick during an H2S emergency, all personnel will follow standard Well control procedures after reporting to briefing area and masking up.

**Open-hole logging**

All unnecessary personnel off floor. Drill Site Manager and safety personnel should monitor condition, advise status and determine need for use of air equipment.

**Running casing or plugging**

Following the same “tripping” procedure as above. Drill Site Manager and safety personnel should determine if all personnel have access to protective equipment.

### **Ignition procedures**

The decision to ignite the well is the responsibility of the operator (Oxy Drilling Management). The decision should be made only as a last resort and in a situation where it is clear that:

1. Human life and property are endangered.
2. There is no hope controlling the blowout under the prevailing conditions at the well.

#### **Instructions for igniting the well**

1. Two people are required for the actual igniting operation. They must wear self-contained breathing units and have a safety rope attached. One man (tool pusher or safety engineer) will check the atmosphere for explosive gases with the gas monitor. The other man is responsible for igniting the well.
2. Primary method to ignite: 25 mm flare gun with range of approximately 500 feet.
3. Ignite upwind and do not approach any closer than is warranted.
4. Select the ignition site best for protection, and which offers an easy escape route.
5. Before firing, check for presence of combustible gas.
6. After lighting, continue emergency action and procedure as before.
7. All unassigned personnel will remain in briefing area until instructed by supervisor or directed by the Drill Site Manager.

**Remember:** After well is ignited, burning hydrogen sulfide will convert to sulfur dioxide, which is also highly toxic. **Do not assume the area is safe after the well is ignited.**



### **Status check list**

Note: All items on this list must be completed before drilling to production casing point.

1. H2S sign at location entrance.
2. Two (2) wind socks located as required.
3. Four (4) 30-minute positive pressure air packs (2 at each Briefing area) on location for all rig personnel and mud loggers.
4. Air packs inspected and ready for use.
5. Cascade system and hose line hook-up as needed.
6. Cascade system for refilling air bottles as needed.
7. Condition flag on location and ready for use.
8. H2S detection system hooked up and tested.
9. H2S alarm system hooked up and tested.
10. Hand operated H2S detector with tubes on location.
11. 1 – 100' length of nylon rope on location.
12. All rig crew and supervisors trained as required.
13. All outside service contractors advised of potential H2S hazard on well.
14. No smoking sign posted and a designated smoking area identified.
15. Calibration of all H2S equipment shall be noted on the IADC report.

Checked by: \_\_\_\_\_ Date: \_\_\_\_\_

## Procedural check list during H2S events

### **Perform each tour:**

1. Check fire extinguishers to see that they have the proper charge.
2. Check breathing equipment to ensure that it is in proper working order.
3. Make sure all the H2S detection system is operative.

### **Perform each week:**

1. Check each piece of breathing equipment to make sure that demand or forced air regulator is working. This requires that the bottle be opened and the mask assembly be put on tight enough so that when you inhale, you receive air or feel air flow.
2. BOP skills (well control drills).
3. Check supply pressure on BOP accumulator stand by source.
4. Check breathing equipment mask assembly to see that straps are loosened and turned back, ready to put on.
5. Check pressure on breathing equipment air bottles to make sure they are charged to full volume. ( Air quality checked for proper air grade “D” before bringing to location)
6. Confirm pressure on all supply air bottles.
7. Perform breathing equipment drills with on-site personnel.
8. Check the following supplies for availability.
  - A. Emergency telephone list.
  - B. Hand operated H2S detectors and tubes.

### **General evacuation plan**

1. When the company approved supervisor (Drill Site Manager, consultant, rig pusher, or driller) determines the H<sub>2</sub>S gas cannot be limited to the well location and the public will be involved, he will activate the evacuation plan.
2. Drill Site Manager or designee will notify local government agency that a hazardous condition exists and evacuation needs to be implemented.
3. Company or contractor safety personnel that have been trained in the use of H<sub>2</sub>S detection equipment and self-contained breathing equipment will monitor H<sub>2</sub>S concentrations, wind directions, and area of exposure. They will delineate the outer perimeter of the hazardous gas area. Extension to the evacuation area will be determined from information gathered.
4. Law enforcement personnel (state police, police dept., fire dept., and sheriff's dept.) Will be called to aid in setting up and maintaining road blocks. Also, they will aid in evacuation of the public if necessary.
5. After the discharge of gas has been controlled, company safety personnel will determine when the area is safe for re-entry.

**Important: Law enforcement personnel will not be asked to come into a contaminated area. Their assistance will be limited to uncontaminated areas. Constant radio contact will be maintained with them.**

## **Emergency actions**

### Well blowout – if emergency

1. Evacuate all personnel to “Safe Briefing / Muster Areas” or off location if needed.
2. If sour gas – evacuate rig personnel.
3. If sour gas – evacuate public within 3000 ft radius of exposure.
4. Don SCBA and shut well in if possible using the buddy system.
5. Notify Drilling Superintendent and call 911 for emergency help (fire dept and ambulance) if needed.
6. Implement the Blowout Contingency Plan, and Drilling Emergency Action Plan.
6. Give first aid as needed.

### Person down location/facility

1. If immediately possible, contact 911. Give location and wait for confirmation.
2. Don SCBA and perform rescue operation using buddy system.

### **Toxic effects of hydrogen sulfide**

Hydrogen sulfide is extremely toxic. The acceptable ceiling concentration for eight-hour exposure is 10 ppm, which is .001% by volume. Hydrogen sulfide is heavier than air (specific gravity – 1.192) and colorless. It forms an explosive mixture with air between 4.3 and 46.0 percent by volume. Hydrogen sulfide is almost as toxic as hydrogen cyanide and is between five and six times more toxic than carbon monoxide. Toxicity data for hydrogen sulfide and various other gases are compared in table i. Physical effects at various hydrogen sulfide exposure levels are shown in table ii.

Table i  
Toxicity of various gases

Common name	Chemical formula	Specific gravity (sc=1)	Threshold limit (1)	Hazardous limit (2)	Lethal concentration (3)
Hydrogen Cyanide	Hcn	0.94	10 ppm	150 ppm/hr	300 ppm
Hydrogen Sulfide	H2S	1.18	10 ppm	250 ppm/hr	600 ppm
Sulfur Dioxide	So2	2.21	5 ppm	-	1000 ppm
Chlorine	Cl2	2.45	1 ppm	4 ppm/hr	1000 ppm
Carbon Monoxide	Co	0.97	50 ppm	400 ppm/hr	1000 ppm
Carbon Dioxide	Co2	1.52	5000 ppm	5%	10%
Methane	Ch4	0.55	90,000 ppm	Combustible above 5% in air	

- 1) threshold limit – concentration at which it is believed that all workers may be repeatedly exposed day after day without adverse effects.
- 2) hazardous limit – concentration that will cause death with short-term exposure.
- 3) lethal concentration – concentration that will cause death with short-term exposure.

### **Toxic effects of hydrogen sulfide**

Table ii  
Physical effects of hydrogen sulfide

<u>Percent (%)</u>	<u>Ppm</u>	<u>Concentration</u>		<u>Physical effects</u>
		<u>Grains</u>	<u>100 std. Ft3*</u>	
0.001	<10	00.65		Obvious and unpleasant odor.

0.002	10	01.30	Safe for 8 hours of exposure.
0.010	100	06.48	Kill smell in 3 – 15 minutes. May sting eyes and throat.
0.020	200	12.96	Kills smell shortly; stings eyes and throat.
0.050	500	32.96	Dizziness; breathing ceases in a few minutes; needs prompt artificial respiration.
0.070	700	45.36	Unconscious quickly; death will result if not rescued promptly.
0.100	1000	64.30	Unconscious at once; followed by death within minutes.

\*at 15.00 psia and 60'f.

### **Use of self-contained breathing equipment (SCBA)**

1. Written procedures shall be prepared covering safe use of SCBA's in dangerous atmosphere, which might be encountered in normal operations or in emergencies. Personnel shall be familiar with these procedures and the available SCBA.
2. SCBA's shall be inspected frequently at random to insure that they are properly used, cleaned, and maintained.
3. Anyone who may use the SCBA's shall be trained in how to insure proper face-piece to face seal. They shall wear SCBA's in normal air and then wear them in a test atmosphere. (note: such items as facial hair {beard or sideburns} and eyeglasses will not allow proper seal.) Anyone that may be reasonably expected to wear SCBA's should have these items removed before entering a toxic atmosphere. A special mask must be obtained for anyone who must wear eyeglasses or contact lenses.
4. Maintenance and care of SCBA's:
  - a. A program for maintenance and care of SCBA's shall include the following:
    1. Inspection for defects, including leak checks.
    2. Cleaning and disinfecting.
    3. Repair.
    4. Storage.
  - b. Inspection, self-contained breathing apparatus for emergency use shall be inspected monthly.
    1. Fully charged cylinders.
    2. Regulator and warning device operation.
    3. Condition of face piece and connections.
    4. Rubber parts shall be maintained to keep them pliable and prevent deterioration.
  - c. Routinely used SCBA's shall be collected, cleaned and disinfected as frequently as necessary to insure proper protection is provided.
5. Persons assigned tasks that requires use of self-contained breathing equipment shall be certified physically fit (medically cleared) for breathing equipment usage at least annually.
6. SCBA's should be worn when:
  - A. Any employee works near the top or on top of any tank unless test reveals less than 10 ppm of H<sub>2</sub>S.

- B. When breaking out any line where H<sub>2</sub>S can reasonably be expected.
- C. When sampling air in areas to determine if toxic concentrations of H<sub>2</sub>S exists.
- D. When working in areas where over 10 ppm H<sub>2</sub>S has been detected.
- E. At any time there is a doubt as to the H<sub>2</sub>S level in the area to be entered.

**Rescue**  
**First aid for H<sub>2</sub>S poisoning**

Do not panic!

Remain calm – think!

1. Don SCBA breathing equipment.
2. Remove victim(s) utilizing buddy system to fresh air as quickly as possible. (go up-wind from source or at right angle to the wind. Not down wind.)
3. Briefly apply chest pressure – arm lift method of artificial respiration to clean the victim's lungs and to avoid inhaling any toxic gas directly from the victim's lungs.
4. Provide for prompt transportation to the hospital, and continue giving artificial respiration if needed.
5. Hospital(s) or medical facilities need to be informed, before-hand, of the possibility of H<sub>2</sub>S gas poisoning – no matter how remote the possibility is.
6. Notify emergency room personnel that the victim(s) has been exposed to H<sub>2</sub>S gas.

Besides basic first aid, everyone on location should have a good working knowledge of artificial respiration.

Revised CM 6/27/2012



**OXY Permian Delaware NM Basin Drilling & Completions Incident Reporting**  
**OXY Permian Crisis Team Hotline Notification**

Person	Location	Office Phone	Cell/Mobile Phone	Home Phone	Pager Number
<b>Drilling &amp; Completions Department</b>					
Drilling & Completions Manager: John Willis	Houston	(713) 366-5556	(713) 259-1417		
Drilling Superintendent: Simon Benavides	Houston	(713) 215-7403	(832) 528-3547		
Completions Superintendent: Chris Winter	Houston	(713) 366-5212	(806) 239-8774		
Drilling Eng. Supervisor: Diego Tellez	Houston	(713) 350-4602	(713) 303-4932		
Drilling Eng. Supervisor: Randy Neel	Houston	(713) 215-7987	(713) 517-5544		
Completions Eng. Supervisor: Evan Hinkel	Houston	(713) 366-5436	(281) 236-6153		
Drilling & Completions HES Lead: Ryan Green	Houston	713-336-5753	281-520-5216		
Drilling & Completions HES Advisor: Kenny Williams	Carlsbad	(432) 686-1434	(337) 208-0911		
Drilling & Completions HES Advisor: Kyle Holden	Carlsbad	(432) 686-1435	(661) 369-5328		
Drilling & Completions HES Advisor Sr: Dave Schmidt	Carlsbad		(559) 310-8572		
Drilling & Completions HES Advisor: Seth Doyle	Carlsbad		(337) 499-0756		
<b>HES / Environmental &amp; Regulatory Department</b>					
	Location	Office	Cell Phone		
Jon Hamil-HES Manager	Houston	(713) 497-2494	(832) 537-9885		
Mark Birk-HES Manager	Houston	(713) 350-4615	(949) 413-3127		
Austin Tramell	Midland	(432) 699-4208	(575) 499-4919		
Rico Munoz	Midland	(432) 699-8366	(432) 803-4116		
Amber DuckWorth	Midland		(832) 966-1879		
Kelley Montgomery- Regulatory Manager	Houston	(713) 366-5716	(832) 454-8137		
Sandra Musallam -Regulatory Lead	Houston	+1 (713) 366-5106	+1 (713) 504-8577		
Bishop, Steve-DOT Pipeline Coordinator	Midland	432-685-5614			
Wilson, Dusty-Safety Advisor	Midland	432-685-5771	(432) 254-2336		
John W Dittrich Environmental Advisor	Midland		(575) 390-2828		
William (Jack) Calhoun-Environmental Lead	Houston	+713 (350) 4906	(281) 917-8571		
Robert Barrow-Risk Engineer Manager	Houston	(713) 366-5611	(832) 867-5336		
Sarah Holmes-HSE Coordinator	Midland	432-685-5758			
<b>Administrative</b>					
	Location	Office			
Sarah Holmes	Midland	432-685-5830			
Robertson, Debbie	Midland	432-685-5812			
Laci Hollaway	Midland	(432) 685-5716	(432) 631-6341		
<b>Administrative</b>					
	Location	Office			
Rosalinda Escajeda	Midland	432-685-5831			
Moreno, Leslie (contract)	Hobbs	575-397-8247			
Sehon, Angela (contractor)	Levelland	806-894-8347			
Vasquez, Claudia (contractor)	North Cowden	432-385-3120			
<b>XstremeMD</b>					
	Location	Office			
Medical Case Management	Orla, TX	(337) 205-9314			
<b>Axiom Medical Consulting</b>					
	Location	Office			
Medical Case Management		(877) 502-9466			
<b>Regulatory Agencies</b>					
Bureau of Land Management	Carlsbad, NM	(505) 887-6544			
Bureau of Land Management	Hobbs, NM	(505) 393-3612			
Bureau of Land Management	Roswell, NM	(505) 393-3612			
Bureau of Land Management	Santa Fe, NM	(505) 988-6030			

DOT Juisdictional Pipelines-Incident Reporting New Mexico Public Regulaion Commission	Santa Fe, NM	(505) 827-3549 (505) 490-2375			
DOT Juisdictional Pipelines-Incident Reporting Texas Railroad Commission	Austin, TX	(512) 463-6788			
EPA Hot Line	Dallas, Texas	(214) 665-6444			
Federal OSHA, Area Office	Lubbock, Texas	(806) 472-7681			
National Response Center	Washington, D. C.	(800) 424-8802			
National Infrastructure Coordinator Center		(202) 282-9201			
New Mexico Air Quality Bureau	Santa Fe, NM	(505) 827-1494			
New Mexico Oil Conservation Division	Artesia, NM	(505) 748-1283	After Hours (505) 370-7545		
New Mexico Oil Conservation Division	Hobbs, NM	(505) 393-6161			
New Mexico Oil Conservation Division	Santa Fe, NM	(505) 471-1068			
New Mexico OCD Environmental Bureau	Santa Fe, NM	(505) 476-3470			
New Mexico Environmental Department	Hobbs, NM	(505) 827-9329			
NM State Emergency Response Center	Santa Fe, NM	(505) 827-9222			
Railroad Commission of TX	District 1 San Antonio,	(210) 227-1313			
Railroad Commission of TX	District 7C San Angelo	(325) 657-7450			
Railroad Commission of TX	District 8, 8A Midland	(432) 684-5581			
Texas Emergency Response Center	Austin, TX	(512) 463-7727			
TCEQ Air	Region 2 Lubbock, TX	(806) 796-3494			
TCEQ Water/Waste/Air	Region 3 Abilene, TX	(325) 698-9674			
TCEQ Water/Waste/Air	Region 7 Midland, TX	(432) 570-1359			
TCEQ Water/Waste/Air	Region 9 San Antonio,	(512) 734-7981			
TCEQ Water/Waste/Air	Region 8 San Angelo	(325) 655-9479			
<b>Medical Facilities</b>					
Abernathy Medical Clinic	Abernathy, TX	(806) 298-2524			
Alliance Hospital	Odessa, TX	(432) 550-1000			
Artesia General Hospital	Artesia, NM	(505) 748-3333			
Brownfield Regional Medical Center	Brownfield, TX	(806) 637-3551			
Cogdell Memorial Hospital	Snyder, TX	(325) 573-6374			
Covenant Hospital Levelland	Levelland, TX	(806) 894-4963			
Covenant Medical Center	Lubbock, TX	(806) 725-1011			
Covenant Medical Center Lakeside	Lubbock, TX	(806) 725-6000			
Covenant Family Health	Synder, TX	(325) 573-1300			
Crockett County Hospital	Ozona, TX	(325) 392-2671			
Guadalupe Medical Center	Carlsbad, NM	(505) 887-6633			
Lea Regional Hospital	Hobbs, NM	(505) 492-5000			
McCamey Hospital	McCamey, TX	(432) 652-8626			
Medical Arts Hospital	Lamesa, TX	(806) 872-2183			
Medical Center Hospital	Odessa, TX	(432) 640-4000			
Medi Center Hospital	San Angelo, TX	(325) 653-6741			
Memorial Hospital	Ft. Stockton	(432) 336-2241			
Memorial Hospital	Seminole, TX	(432) 758-5811			
Midland Memorial Hospital	Midland, TX	(432) 685-1111			
Nor-Lea General Hospital	Lovington, NM	(505) 396-6611			
Odessa Regional Hospital	Odessa, TX	(432) 334-8200			
Permian General Hospital	Andrews, TX	(432) 523-2200			
Reagan County Hospital	Big Lake, TX	(325) 884-2561			
Reeves County Hospital	Pecos, TX	(432) 447-3551			
Shannon Medical Center	San Angelo, TX	(325) 653-6741			
Union County General Hospital	Clayton, NM	(505) 374-2585			
University Medical Center	Lubbock, TX	(806) 725-8200			
Val Verde Regional Medical Center	Del Rio, TX	(830) 775-8566			
Ward Memorial Hospital	Monahans, TX	(432) 943-2511			
Yoakum County Hospital	Denver City, TX	(806) 592-5484			

<b>Law Enforcement - Sheriff</b>			
Andrews Cty Sheriff's Department	Andrews County(Andr	(432) 523-5545	
Crane Cty Sheriff's Department	Crane, County (Crane)	(432) 558-3571	
Crockett Cty Sheriff's Department	Crockett County (Ozor	(325) 392-2661	
Dawson Cty Sheriff's Department	Dawson County (Lame	(806) 872-7560	
Ector Cty Sheriff's Department	Ector County (Odessa)	(432) 335-3050	
Eddy Cty Sheriff's Department	Eddy County (Artesia)	(505) 746-2704	
<b>Eddy Cty Sheriff's Department</b>	<b>Eddy County (Carlsbac</b>	<b>(505) 887-7551</b>	
Gaines Cty Sheriff's Department	Gaines County (Semin	(432) 758-9871	
Hockley Cty Sheriff's Department	Hockley County(Levell	(806) 894-3126	
Kent Cty (Jayton City Sheriff's Dept.)	Kent County(Jayton)	(806) 237-3801	
<b>Lea Cty Sheriff's Department</b>	<b>Lea County (Eunice)</b>	<b>(505) 384-2020</b>	
<b>Lea Cty Sheriff's Department</b>	<b>Lea County (Hobbs)</b>	<b>(505) 393-2515</b>	
<b>Lea Cty Sheriff's Department</b>	<b>Lea County (Lovington)</b>	<b>(505) 396-3611</b>	
Lubbock Cty Sheriff's Department	Lubbock Cty (Abernath	(806) 296-2724	
Midland Cty Sheriff's Department	Midland County (Midl	(432) 688-1277	
Pecos Cty Sheriff's Department	Pecos County (Iraan)	(432) 639-2251	
Reeves Cty Sheriff's Department	Reeves County (Pecos)	(432) 445-4901	
Scurry Cty Sheriff's Department	Scurry County (Snyder	(325) 573-3551	
Terry Cty Sheriff's Department	Terry County (Brownf	(806) 637-2212	
Union Cty Sheriff's Department	Union County (Claytor	(505) 374-2583	
Upton Cty Sheriff's Department	Upton County (Rankin	(432) 693-2422	
Ward Cty Sheriff's Department	Ward County (Monaha	(432) 943-3254	
Yoakum City Sheriff's Department	Yoakum Co. (Denever	(806) 456-2377	
<b>Law Enforcement - Police</b>			
Abernathy City Police	Abernathy, TX	(806) 298-2545	
Andrews City Police	Andrews, TX	(432) 523-5675	
Artesia City Police	Artesia, NM	(505) 746-2704	
Brownfield City Police	Brownfield, TX	(806) 637-2544	
Carlsbad City Police	Carlsbad, NM	(505) 885-2111	
Clayton City Police	Clayton, NM	(505) 374-2504	
Denver City Police	Denver City, TX	(806) 592-3516	
Eunice City Police	Eunice, NM	(505) 394-2112	
<b>Hobbs City Police</b>	<b>Hobbs, NM</b>	<b>393-2677</b>	
<b>Jal City Police</b>	<b>Jal, NM</b>	<b>(505) 395-2501</b>	
Jayton City Police	Jayton, TX	(806) 237-3801	
Lamesa City Police	Lamesa, TX	(806) 872-2121	
Levelland City Police	Levelland, TX	(806) 894-6164	
Lovington City Police	Lovington, NM	(505) 396-2811	
Midland City Police	Midland, TX	(432) 685-7113	
Monahans City Police	Monahans, TX	(432) 943-3254	
Odessa City Police	Odessa, TX	(432) 335-3378	
Seminole City Police	Seminole, TX	(432) 758-9871	
Snyder City Police	Snyder, TX	(325) 573-2611	
Sundown City Police	Sundown, TX	(806) 229-8241	
<b>Law Enforcement - FBI</b>			
FBI	Albuquerque, NM	(505) 224-2000	
FBI	Midland, TX	(432) 570-0255	
<b>Law Enforcement - DPS</b>			
NM State Police	Artesia, NM	(505) 746-2704	
<b>NM State Police</b>	<b>Carlsbad, NM</b>	<b>(505) 885-3137</b>	
NM State Police	Eunice, NM	(505) 392-5588	

<b>NM State Police</b>	<b>Hobbs, NM</b>	<b>(505) 392-5588</b>			
NM State Police	Clayton, NM	(505) 374-2473; 911			
TX Dept of Public Safety	Andrews, TX	(432) 524-1443			
TX Dept of Public Safety	Big Lake, TX	(325) 884-2301			
TX Dept of Public Safety	Brownfield, TX	(806) 637-2312			
TX Dept of Public Safety	Iraan, TX	(432) 639-3232			
TX Dept of Public Safety	Lamesa, TX	(806) 872-8675			
TX Dept of Public Safety	Levelland, TX	(806) 894-4385			
TX Dept of Public Safety	Lubbock, TX	(806) 747-4491			
TX Dept of Public Safety	Midland, TX	(432) 697-2211			
TX Dept of Public Safety	Monahans, TX	(432) 943-5857			
TX Dept of Public Safety	Odessa, TX	(432) 332-6100			
TX Dept of Public Safety	Ozona, TX	(325) 392-2621			
TX Dept of Public Safety	Pecos, TX	(432) 447-3533			
TX Dept of Public Safety	Seminole, TX	(432) 758-4041			
TX Dept of Public Safety	Snyder, TX	(325) 573-0113			
TX Dept of Public Safety	Terry County TX	(806) 637-8913			
TX Dept of Public Safety	Yoakum County TX	(806) 456-2377			
<b>Firefighting &amp; Rescue</b>					
Abernathy	Abernathy, TX	(806) 298-2022			
Amistad/Rosebud	Amistad/Rosebud, NM	(505) 633-9113			
Andrews	Andrews, TX	523-3111			
Artesia	Artesia, NM	(505) 746-5051			
Big Lake	Big Lake, TX	(325) 884-3650			
Brownfield-Administrative & other calls	Brownfield, TX	(816) 637-4547			
Brownfield emergency only	Brownfield, TX	-911			
<b>Carlsbad</b>	<b>Carlsbad, NM</b>	<b>(505) 885-3125</b>			
Clayton	Clayton, NM	(505) 374-2435			
Cotton Center	Cotton Center, TX	(806) 879-2157			
Crane	Crane, TX	(432) 558-2361			
Del Rio	Del Rio, TX	(830) 774-8650			
Denver City	Denver City, TX	(806) 592-3516			
Eldorado	Eldorado, TX	(325) 853-2691			
Eunice	Eunice, NM	(505) 394-2111			
Garden City	Garden City, TX	(432) 354-2404			
Goldsmith	Goldsmith, TX	(432) 827-3445			
Hale Center	Hale Center, TX	(806) 839-2411			
Halfway	Halfway, TX				
Hobbs	Hobbs, NM	(505) 397-9308			
Jal	Jal, NM	(505) 395-2221			
Jayton	Jayton, TX	(806) 237-3801			
Kermit	Kermit, TX	(432) 586-3468			
Lamesa	Lamesa, TX	(806) 872-4352			
Levelland	Levelland, TX	(806) 894-3154			
Lovington	Lovington, NM	(505) 396-2359			
Maljamar	Maljamar, NM	(505) 676-4100			
McCamey	McCamey, TX	(432) 652-8232			
Midland	Midland, TX	(432) 685-7346			
Monahans	Monahans, TX	(432) 943-4343			
Nara Visa	Nara Visa, NM	(505) 461-3300			
Notrees	Notress, TX	(432) 827-3445			
Odessa	Odessa, TX	(432) 335-4659			
Ozona	Ozona, TX	(325) 392-2626			
Pecos	Pecos, TX	(432) 445-2421			
Petersburg	Petersburg, TX	(806) 667-3461			

Plains	Plains, TX	(806) 456-8067			
Plainview	Plainview, TX	(806) 296-1170			
Rankin	Rankin, TX	(432) 693-2252			
San Angelo	San Angelo, TX	(325) 657-4355			
Sanderson	Sanderson, TX	(432) 345-2525			
Seminole	Seminole, TX	758-9871			
Smyer	Smyer, TX	(806) 234-3861			
Snyder	Snyder, TX	(325) 573-6215			
Sundown	Sundown, TX	<b>911</b>			
Tucumcari	Tucumcari, NM	911			
West Odessa	Odessa, TX	(432) 381-3033			
<b>Ambulance</b>					
Abernathy Ambulance	Abernathy, TX	(806) 298-2241			
Amistad/Rosebud	Amistad/Rosebud, NM	(505) 633-9113			
Andrews Ambulance	Andrews, TX	(432) 523-5675			
Artesia Ambulance	Artesia, NM	(505) 746-2701			
Big Lake Ambulance	Big Lake, TX	(325) 884-2423			
Big Spring Ambulance	Big Spring, TX	(432) 264-2550			
Brownfield Ambulance	Brownfield, TX	(806) 637-2511			
Carlsbad Ambulance	Carlsbad, NM	(505) 885-2111; 911			
Clayton, NM	Clayton, NM	(505) 374-2501			
Denver City Ambulance	Denver City, TX	(806) 592-3516			
Eldorado Ambulance	Eldorado, TX	(325) 853-3456			
Eunice Ambulance	Eunice, NM	(505) 394-3258			
Goldsmith Ambulance	Goldsmith, TX	(432) 827-3445			
Hobbs, NM	Hobbs, NM	(505) 397-9308			
Jal, NM	Jal, NM	(505) 395-2501			
Jayton Ambulance	Jayton, TX	(806) 237-3801			
Lamesa Ambulance	Lamesa, TX	(806) 872-3464			
Levelland Ambulance	Levelland, TX	(806) 894-8855			
Lovington Ambulance	Lovington, NM	(505) 396-2811			
McCamey Hospital	McCamey, TX	(432) 652-8626			
Midland Ambulance	Midland, TX	(432) 685-7499			
Monahans Ambulance	Monahans, TX	3731			
Nara Visa, NM	Nara Visa, NM	(505) 461-3300			
Odessa Ambulance	Odessa, TX	(432) 335-3378			
Ozona Ambulance	Ozona, TX	(325) 392-2671			
Pecos Ambulance	Pecos, TX	(432) 445-4444			
Rankin Ambulance	Rankin, TX	(432) 693-2443			
San Angelo Ambulance	San Angelo, TX	(325) 657-4357			
Seminole Ambulance	Seminole, TX	758-9871			
Snyder Ambulance	Snyder, TX	(325) 573-1911			
Stanton Ambulance	Stanton, TX	(432) 756-2211			
Sundown Ambulance	Sundown, TX	<b>911</b>			
Tucumcari, NM	Tucumcari, NM	911			
<b>Medical Air Ambulance Service</b>					
AEROCARE - Methodist Hospital	Lubbock, TX	(800) 627-2376			
San Angelo Med-Vac Air Ambulance	San Angelo, TX	(800) 277-4354			
Southwest Air Ambulance Service	Stanford, TX	(800) 242-6199			
Southwest MediVac	Snyder, TX	(800) 242-6199			
Southwest MediVac	Hobbs, NM	(800) 242-6199			
Odessa Care Star	Odessa, TX	(888) 624-3571			
NWTH Medivac	Amarillo, TX	(800) 692-1331			



Project: PRD NM DIRECTIONAL PLANS (NAD 1983)  
 Site: Nimitz MDP1 13  
 Well: Nimitz MDP1 13 Federal Com 23H  
 Wellbore: Wellbore #1  
 Design: Permitting Plan

PROJECT DETAILS: NM DIRECTIONAL PLANS (NAD 1983)

Geodetic System: US State Plane 1983  
 Datum: North American Datum 1983  
 Ellipsoid: GRS 1980  
 Zone: New Mexico Eastern Zone

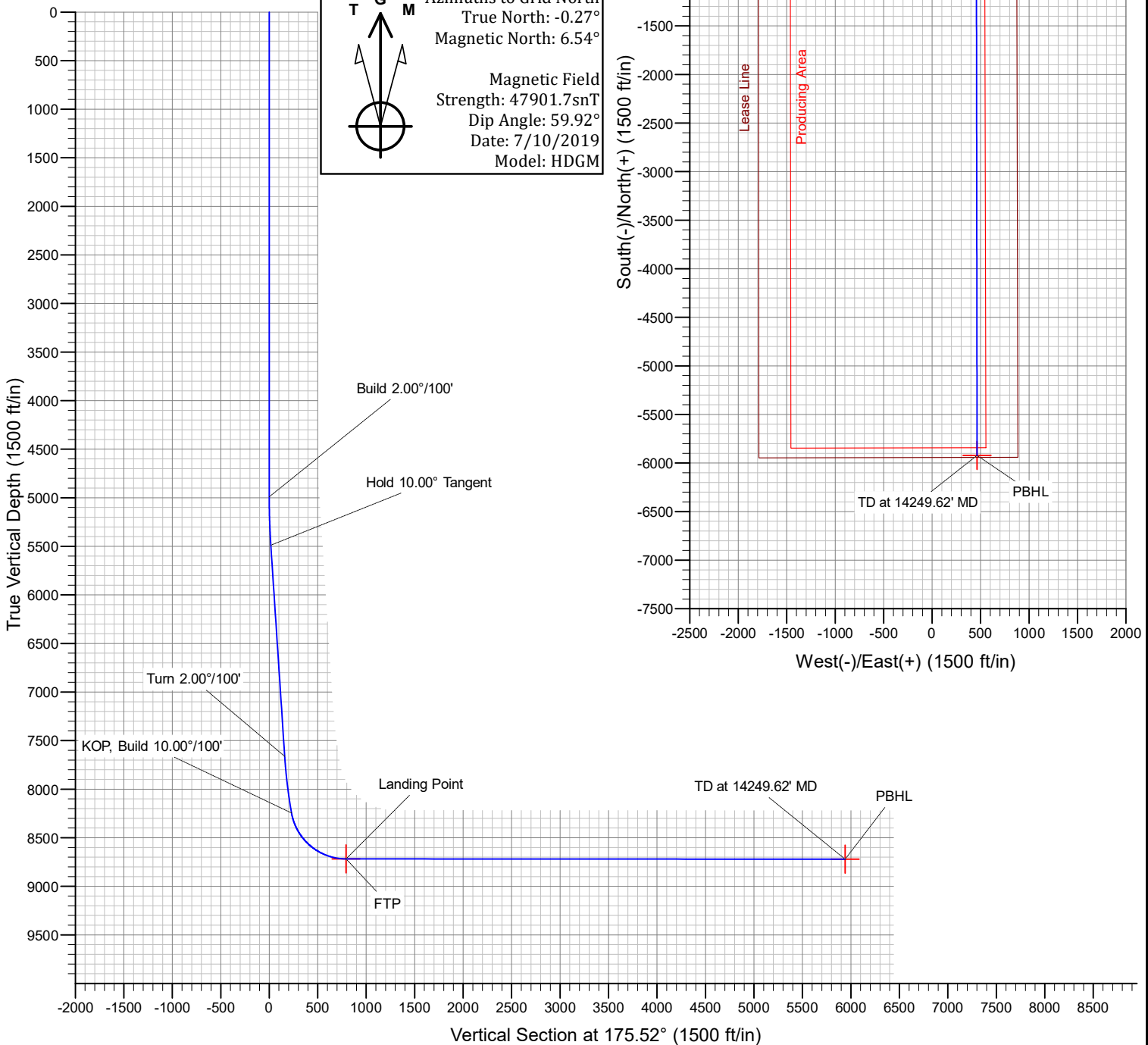
System Datum: Mean Sea Level

WELL DETAILS: Nimitz MDP1 13 Federal Com 23H

		Ground Level:		3504.00	
+N/-S	+E/-W	Northing	Easting	Latitude	Longitude
0.00	0.00	446658.50	694783.40	32° 13' 37.079049 N	103° 50' 13.574065 W

SECTION DETAILS

MD	Inc	Azi	TVD	+N/-S	+E/-W	Dleg	TFace	V Sect	Annotation
0.00	0.00	0.00	0.00	0.00	0.00	0.00	0.00	0.00	
4990.00	0.00	0.00	4990.00	0.00	0.00	0.00	0.00	0.00	Build 2.00°/100'
5489.96	10.00	107.44	5487.43	-13.04	41.52	2.00	107.44	16.24	Hold 10.00° Tangent
7697.75	10.00	107.44	7661.68	-127.90	407.25	0.00	0.00	159.31	Turn 2.00°/100'
8287.00	10.00	179.93	8244.04	-194.63	456.30	2.00	125.82	229.66	KOP, Build 10.00°/100'
9086.67	89.97	179.93	8717.50	-758.55	457.03	10.00	0.00	791.92	Landing Point
14249.62	89.97	179.93	8720.50	-5921.49	463.73	0.00	0.00	5939.62	TD at 14249.62' MD



**Compass Diagram:** Shows True North (T), Grid North (G), and Magnetic North (M) directions.

**Azimuths to Grid North:**  
 True North: -0.27°  
 Magnetic North: 6.54°

**Magnetic Field:**  
 Strength: 47901.7snT  
 Dip Angle: 59.92°  
 Date: 7/10/2019  
 Model: HDGM

# **OXY**

**PRD NM DIRECTIONAL PLANS (NAD 1983)**

**Nimitz MDP1 13**

**Nimitz MDP1 13 Federal Com 23H**

**Wellbore #1**

**Plan: Permitting Plan**

## **Standard Planning Report**

**11 July, 2019**

# Oxy Planning Report

<b>Database:</b>	HOPSPP	<b>Local Co-ordinate Reference:</b>	Well Nimitz MDP1 13 Federal Com 23H
<b>Company:</b>	ENGINEERING DESIGNS	<b>TVD Reference:</b>	RKB=26.5' @ 3530.50ft
<b>Project:</b>	PRD NM DIRECTIONAL PLANS (NAD 1983)	<b>MD Reference:</b>	RKB=26.5' @ 3530.50ft
<b>Site:</b>	Nimitz MDP1 13	<b>North Reference:</b>	Grid
<b>Well:</b>	Nimitz MDP1 13 Federal Com 23H	<b>Survey Calculation Method:</b>	Minimum Curvature
<b>Wellbore:</b>	Wellbore #1		
<b>Design:</b>	Permitting Plan		

<b>Project</b>	PRD NM DIRECTIONAL PLANS (NAD 1983)		
<b>Map System:</b>	US State Plane 1983	<b>System Datum:</b>	Mean Sea Level
<b>Geo Datum:</b>	North American Datum 1983		
<b>Map Zone:</b>	New Mexico Eastern Zone		Using geodetic scale factor

<b>Site</b>	Nimitz MDP1 13				
<b>Site Position:</b>	<b>Northing:</b>	445,742.28 usft	<b>Latitude:</b>	32° 13' 27.984385 N	
<b>From:</b>	Map	<b>Easting:</b>	695,395.61 usft	<b>Longitude:</b>	103° 50' 6.496371 W
<b>Position Uncertainty:</b>	50.00 ft	<b>Slot Radius:</b>	13.200 in	<b>Grid Convergence:</b>	0.27 °

<b>Well</b>	Nimitz MDP1 13 Federal Com 23H					
<b>Well Position</b>	<b>+N/-S</b>	916.28 ft	<b>Northing:</b>	446,658.50 usft	<b>Latitude:</b>	32° 13' 37.079049 N
	<b>+E/-W</b>	-612.25 ft	<b>Easting:</b>	694,783.40 usft	<b>Longitude:</b>	103° 50' 13.574065 W
<b>Position Uncertainty</b>		2.00 ft	<b>Wellhead Elevation:</b>	0.00 ft	<b>Ground Level:</b>	3,504.00 ft

<b>Wellbore</b>	Wellbore #1				
<b>Magnetics</b>	<b>Model Name</b>	<b>Sample Date</b>	<b>Declination (°)</b>	<b>Dip Angle (°)</b>	<b>Field Strength (nT)</b>
	HDGM	7/10/2019	6.80	59.92	47,902

<b>Design</b>	Permitting Plan			
<b>Audit Notes:</b>				
<b>Version:</b>	<b>Phase:</b>	PROTOTYPE	<b>Tie On Depth:</b>	0.00
<b>Vertical Section:</b>	<b>Depth From (TVD) (ft)</b>	<b>+N/-S (ft)</b>	<b>+E/-W (ft)</b>	<b>Direction (°)</b>
	0.00	0.00	0.00	175.52

<b>Plan Sections</b>										
Measured Depth (ft)	Inclination (°)	Azimuth (°)	Vertical Depth (ft)	+N/-S (ft)	+E/-W (ft)	Dogleg Rate (°/100ft)	Build Rate (°/100ft)	Turn Rate (°/100ft)	TFO (°)	Target
0.00	0.00	0.00	0.00	0.00	0.00	0.00	0.00	0.00	0.00	
4,990.00	0.00	0.00	4,990.00	0.00	0.00	0.00	0.00	0.00	0.00	
5,489.96	10.00	107.44	5,487.43	-13.04	41.52	2.00	2.00	0.00	107.44	
7,697.75	10.00	107.44	7,661.68	-127.90	407.25	0.00	0.00	0.00	0.00	
8,287.00	10.00	179.93	8,244.04	-194.63	456.30	2.00	0.00	12.30	125.82	
9,086.67	89.97	179.93	8,717.50	-758.55	457.03	10.00	10.00	0.00	0.00	FTP (Nimitz MDP1)
14,249.62	89.97	179.93	8,720.50	-5,921.49	463.73	0.00	0.00	0.00	0.00	PBHL (Nimitz MDP1)



# Oxy Planning Report

<b>Database:</b>	HOPSP	<b>Local Co-ordinate Reference:</b>	Well Nimitz MDP1 13 Federal Com 23H
<b>Company:</b>	ENGINEERING DESIGNS	<b>TVD Reference:</b>	RKB=26.5' @ 3530.50ft
<b>Project:</b>	PRD NM DIRECTIONAL PLANS (NAD 1983)	<b>MD Reference:</b>	RKB=26.5' @ 3530.50ft
<b>Site:</b>	Nimitz MDP1 13	<b>North Reference:</b>	Grid
<b>Well:</b>	Nimitz MDP1 13 Federal Com 23H	<b>Survey Calculation Method:</b>	Minimum Curvature
<b>Wellbore:</b>	Wellbore #1		
<b>Design:</b>	Permitting Plan		

Planned Survey									
Measured Depth (ft)	Inclination (°)	Azimuth (°)	Vertical Depth (ft)	+N/-S (ft)	+E/-W (ft)	Vertical Section (ft)	Dogleg Rate (°/100ft)	Build Rate (°/100ft)	Turn Rate (°/100ft)
0.00	0.00	0.00	0.00	0.00	0.00	0.00	0.00	0.00	0.00
100.00	0.00	0.00	100.00	0.00	0.00	0.00	0.00	0.00	0.00
200.00	0.00	0.00	200.00	0.00	0.00	0.00	0.00	0.00	0.00
300.00	0.00	0.00	300.00	0.00	0.00	0.00	0.00	0.00	0.00
400.00	0.00	0.00	400.00	0.00	0.00	0.00	0.00	0.00	0.00
500.00	0.00	0.00	500.00	0.00	0.00	0.00	0.00	0.00	0.00
600.00	0.00	0.00	600.00	0.00	0.00	0.00	0.00	0.00	0.00
700.00	0.00	0.00	700.00	0.00	0.00	0.00	0.00	0.00	0.00
800.00	0.00	0.00	800.00	0.00	0.00	0.00	0.00	0.00	0.00
900.00	0.00	0.00	900.00	0.00	0.00	0.00	0.00	0.00	0.00
1,000.00	0.00	0.00	1,000.00	0.00	0.00	0.00	0.00	0.00	0.00
1,100.00	0.00	0.00	1,100.00	0.00	0.00	0.00	0.00	0.00	0.00
1,200.00	0.00	0.00	1,200.00	0.00	0.00	0.00	0.00	0.00	0.00
1,300.00	0.00	0.00	1,300.00	0.00	0.00	0.00	0.00	0.00	0.00
1,400.00	0.00	0.00	1,400.00	0.00	0.00	0.00	0.00	0.00	0.00
1,500.00	0.00	0.00	1,500.00	0.00	0.00	0.00	0.00	0.00	0.00
1,600.00	0.00	0.00	1,600.00	0.00	0.00	0.00	0.00	0.00	0.00
1,700.00	0.00	0.00	1,700.00	0.00	0.00	0.00	0.00	0.00	0.00
1,800.00	0.00	0.00	1,800.00	0.00	0.00	0.00	0.00	0.00	0.00
1,900.00	0.00	0.00	1,900.00	0.00	0.00	0.00	0.00	0.00	0.00
2,000.00	0.00	0.00	2,000.00	0.00	0.00	0.00	0.00	0.00	0.00
2,100.00	0.00	0.00	2,100.00	0.00	0.00	0.00	0.00	0.00	0.00
2,200.00	0.00	0.00	2,200.00	0.00	0.00	0.00	0.00	0.00	0.00
2,300.00	0.00	0.00	2,300.00	0.00	0.00	0.00	0.00	0.00	0.00
2,400.00	0.00	0.00	2,400.00	0.00	0.00	0.00	0.00	0.00	0.00
2,500.00	0.00	0.00	2,500.00	0.00	0.00	0.00	0.00	0.00	0.00
2,600.00	0.00	0.00	2,600.00	0.00	0.00	0.00	0.00	0.00	0.00
2,700.00	0.00	0.00	2,700.00	0.00	0.00	0.00	0.00	0.00	0.00
2,800.00	0.00	0.00	2,800.00	0.00	0.00	0.00	0.00	0.00	0.00
2,900.00	0.00	0.00	2,900.00	0.00	0.00	0.00	0.00	0.00	0.00
3,000.00	0.00	0.00	3,000.00	0.00	0.00	0.00	0.00	0.00	0.00
3,100.00	0.00	0.00	3,100.00	0.00	0.00	0.00	0.00	0.00	0.00
3,200.00	0.00	0.00	3,200.00	0.00	0.00	0.00	0.00	0.00	0.00
3,300.00	0.00	0.00	3,300.00	0.00	0.00	0.00	0.00	0.00	0.00
3,400.00	0.00	0.00	3,400.00	0.00	0.00	0.00	0.00	0.00	0.00
3,500.00	0.00	0.00	3,500.00	0.00	0.00	0.00	0.00	0.00	0.00
3,600.00	0.00	0.00	3,600.00	0.00	0.00	0.00	0.00	0.00	0.00
3,700.00	0.00	0.00	3,700.00	0.00	0.00	0.00	0.00	0.00	0.00
3,800.00	0.00	0.00	3,800.00	0.00	0.00	0.00	0.00	0.00	0.00
3,900.00	0.00	0.00	3,900.00	0.00	0.00	0.00	0.00	0.00	0.00
4,000.00	0.00	0.00	4,000.00	0.00	0.00	0.00	0.00	0.00	0.00
4,100.00	0.00	0.00	4,100.00	0.00	0.00	0.00	0.00	0.00	0.00
4,200.00	0.00	0.00	4,200.00	0.00	0.00	0.00	0.00	0.00	0.00
4,300.00	0.00	0.00	4,300.00	0.00	0.00	0.00	0.00	0.00	0.00
4,400.00	0.00	0.00	4,400.00	0.00	0.00	0.00	0.00	0.00	0.00
4,500.00	0.00	0.00	4,500.00	0.00	0.00	0.00	0.00	0.00	0.00
4,600.00	0.00	0.00	4,600.00	0.00	0.00	0.00	0.00	0.00	0.00
4,700.00	0.00	0.00	4,700.00	0.00	0.00	0.00	0.00	0.00	0.00
4,800.00	0.00	0.00	4,800.00	0.00	0.00	0.00	0.00	0.00	0.00
4,900.00	0.00	0.00	4,900.00	0.00	0.00	0.00	0.00	0.00	0.00
4,990.00	0.00	0.00	4,990.00	0.00	0.00	0.00	0.00	0.00	0.00
5,000.00	0.20	107.44	5,000.00	-0.01	0.02	0.01	2.00	2.00	0.00
5,100.00	2.20	107.44	5,099.97	-0.63	2.01	0.79	2.00	2.00	0.00
5,200.00	4.20	107.44	5,199.81	-2.31	7.34	2.87	2.00	2.00	0.00

# Oxy Planning Report

<b>Database:</b>	HOPSPP	<b>Local Co-ordinate Reference:</b>	Well Nimitz MDP1 13 Federal Com 23H
<b>Company:</b>	ENGINEERING DESIGNS	<b>TVD Reference:</b>	RKB=26.5' @ 3530.50ft
<b>Project:</b>	PRD NM DIRECTIONAL PLANS (NAD 1983)	<b>MD Reference:</b>	RKB=26.5' @ 3530.50ft
<b>Site:</b>	Nimitz MDP1 13	<b>North Reference:</b>	Grid
<b>Well:</b>	Nimitz MDP1 13 Federal Com 23H	<b>Survey Calculation Method:</b>	Minimum Curvature
<b>Wellbore:</b>	Wellbore #1		
<b>Design:</b>	Permitting Plan		

Planned Survey										
Measured Depth (ft)	Inclination (°)	Azimuth (°)	Vertical Depth (ft)	+N/-S (ft)	+E/-W (ft)	Vertical Section (ft)	Dogleg Rate (°/100ft)	Build Rate (°/100ft)	Turn Rate (°/100ft)	
5,300.00	6.20	107.44	5,299.40	-5.02	15.99	6.25	2.00	2.00	0.00	
5,400.00	8.20	107.44	5,398.60	-8.78	27.94	10.93	2.00	2.00	0.00	
5,489.96	10.00	107.44	5,487.43	-13.04	41.52	16.24	2.00	2.00	0.00	
5,500.00	10.00	107.44	5,497.31	-13.56	43.18	16.89	0.00	0.00	0.00	
5,600.00	10.00	107.44	5,595.79	-18.76	59.75	23.37	0.00	0.00	0.00	
5,700.00	10.00	107.44	5,694.28	-23.97	76.31	29.85	0.00	0.00	0.00	
5,800.00	10.00	107.44	5,792.76	-29.17	92.88	36.33	0.00	0.00	0.00	
5,900.00	10.00	107.44	5,891.24	-34.37	109.44	42.81	0.00	0.00	0.00	
6,000.00	10.00	107.44	5,989.72	-39.57	126.01	49.29	0.00	0.00	0.00	
6,100.00	10.00	107.44	6,088.20	-44.78	142.57	55.77	0.00	0.00	0.00	
6,200.00	10.00	107.44	6,186.68	-49.98	159.14	62.25	0.00	0.00	0.00	
6,300.00	10.00	107.44	6,285.16	-55.18	175.71	68.73	0.00	0.00	0.00	
6,400.00	10.00	107.44	6,383.64	-60.39	192.27	75.21	0.00	0.00	0.00	
6,500.00	10.00	107.44	6,482.12	-65.59	208.84	81.69	0.00	0.00	0.00	
6,600.00	10.00	107.44	6,580.60	-70.79	225.40	88.17	0.00	0.00	0.00	
6,700.00	10.00	107.44	6,679.09	-75.99	241.97	94.65	0.00	0.00	0.00	
6,800.00	10.00	107.44	6,777.57	-81.20	258.53	101.13	0.00	0.00	0.00	
6,900.00	10.00	107.44	6,876.05	-86.40	275.10	107.61	0.00	0.00	0.00	
7,000.00	10.00	107.44	6,974.53	-91.60	291.67	114.09	0.00	0.00	0.00	
7,100.00	10.00	107.44	7,073.01	-96.81	308.23	120.57	0.00	0.00	0.00	
7,200.00	10.00	107.44	7,171.49	-102.01	324.80	127.05	0.00	0.00	0.00	
7,300.00	10.00	107.44	7,269.97	-107.21	341.36	133.53	0.00	0.00	0.00	
7,400.00	10.00	107.44	7,368.45	-112.41	357.93	140.02	0.00	0.00	0.00	
7,500.00	10.00	107.44	7,466.93	-117.62	374.49	146.50	0.00	0.00	0.00	
7,600.00	10.00	107.44	7,565.41	-122.82	391.06	152.98	0.00	0.00	0.00	
7,697.75	10.00	107.44	7,661.68	-127.90	407.25	159.31	0.00	0.00	0.00	
7,700.00	9.97	107.65	7,663.90	-128.02	407.62	159.46	2.00	-1.17	9.36	
7,800.00	8.96	118.15	7,762.54	-134.32	422.74	166.91	2.00	-1.02	10.50	
7,900.00	8.30	130.78	7,861.42	-142.71	435.07	176.24	2.00	-0.66	12.63	
8,000.00	8.09	144.77	7,960.41	-153.17	444.60	187.42	2.00	-0.21	13.99	
8,100.00	8.37	158.63	8,059.38	-165.70	451.31	200.43	2.00	0.28	13.86	
8,200.00	9.09	170.96	8,158.23	-180.29	455.21	215.28	2.00	0.72	12.33	
8,287.00	10.00	179.93	8,244.04	-194.63	456.30	229.66	2.00	1.05	10.30	
8,300.00	11.30	179.93	8,256.81	-197.03	456.30	232.06	10.00	10.00	0.00	
8,400.00	21.30	179.93	8,352.67	-225.06	456.34	260.00	10.00	10.00	0.00	
8,500.00	31.30	179.93	8,442.20	-269.31	456.40	304.12	10.00	10.00	0.00	
8,600.00	41.30	179.93	8,522.69	-328.44	456.47	363.08	10.00	10.00	0.00	
8,700.00	51.30	179.93	8,591.69	-400.64	456.57	435.07	10.00	10.00	0.00	
8,800.00	61.30	179.93	8,647.11	-483.73	456.67	517.91	10.00	10.00	0.00	
8,900.00	71.30	179.93	8,687.25	-575.18	456.79	609.09	10.00	10.00	0.00	
9,000.00	81.30	179.93	8,710.91	-672.21	456.92	705.84	10.00	10.00	0.00	
9,086.67	89.97	179.93	8,717.50	-758.55	457.03	791.92	10.00	10.00	0.00	
9,100.00	89.97	179.93	8,717.51	-771.88	457.05	805.21	0.00	0.00	0.00	
9,200.00	89.97	179.93	8,717.57	-871.88	457.18	904.91	0.00	0.00	0.00	
9,300.00	89.97	179.93	8,717.62	-971.88	457.31	1,004.62	0.00	0.00	0.00	
9,400.00	89.97	179.93	8,717.68	-1,071.88	457.44	1,104.32	0.00	0.00	0.00	
9,500.00	89.97	179.93	8,717.74	-1,171.88	457.57	1,204.03	0.00	0.00	0.00	
9,600.00	89.97	179.93	8,717.80	-1,271.88	457.70	1,303.73	0.00	0.00	0.00	
9,700.00	89.97	179.93	8,717.86	-1,371.88	457.83	1,403.44	0.00	0.00	0.00	
9,800.00	89.97	179.93	8,717.91	-1,471.88	457.96	1,503.14	0.00	0.00	0.00	
9,900.00	89.97	179.93	8,717.97	-1,571.88	458.09	1,602.85	0.00	0.00	0.00	
10,000.00	89.97	179.93	8,718.03	-1,671.88	458.22	1,702.55	0.00	0.00	0.00	
10,100.00	89.97	179.93	8,718.09	-1,771.88	458.35	1,802.26	0.00	0.00	0.00	
10,200.00	89.97	179.93	8,718.15	-1,871.88	458.48	1,901.96	0.00	0.00	0.00	

# Oxy Planning Report

<b>Database:</b>	HOPSPP	<b>Local Co-ordinate Reference:</b>	Well Nimitz MDP1 13 Federal Com 23H
<b>Company:</b>	ENGINEERING DESIGNS	<b>TVD Reference:</b>	RKB=26.5' @ 3530.50ft
<b>Project:</b>	PRD NM DIRECTIONAL PLANS (NAD 1983)	<b>MD Reference:</b>	RKB=26.5' @ 3530.50ft
<b>Site:</b>	Nimitz MDP1 13	<b>North Reference:</b>	Grid
<b>Well:</b>	Nimitz MDP1 13 Federal Com 23H	<b>Survey Calculation Method:</b>	Minimum Curvature
<b>Wellbore:</b>	Wellbore #1		
<b>Design:</b>	Permitting Plan		

Planned Survey									
Measured Depth (ft)	Inclination (°)	Azimuth (°)	Vertical Depth (ft)	+N/-S (ft)	+E/-W (ft)	Vertical Section (ft)	Dogleg Rate (°/100ft)	Build Rate (°/100ft)	Turn Rate (°/100ft)
10,300.00	89.97	179.93	8,718.21	-1,971.88	458.60	2,001.67	0.00	0.00	0.00
10,400.00	89.97	179.93	8,718.26	-2,071.88	458.73	2,101.37	0.00	0.00	0.00
10,500.00	89.97	179.93	8,718.32	-2,171.88	458.86	2,201.08	0.00	0.00	0.00
10,600.00	89.97	179.93	8,718.38	-2,271.88	458.99	2,300.78	0.00	0.00	0.00
10,700.00	89.97	179.93	8,718.44	-2,371.88	459.12	2,400.48	0.00	0.00	0.00
10,800.00	89.97	179.93	8,718.50	-2,471.88	459.25	2,500.19	0.00	0.00	0.00
10,900.00	89.97	179.93	8,718.55	-2,571.88	459.38	2,599.89	0.00	0.00	0.00
11,000.00	89.97	179.93	8,718.61	-2,671.88	459.51	2,699.60	0.00	0.00	0.00
11,100.00	89.97	179.93	8,718.67	-2,771.88	459.64	2,799.30	0.00	0.00	0.00
11,200.00	89.97	179.93	8,718.73	-2,871.88	459.77	2,899.01	0.00	0.00	0.00
11,300.00	89.97	179.93	8,718.79	-2,971.88	459.90	2,998.71	0.00	0.00	0.00
11,400.00	89.97	179.93	8,718.84	-3,071.88	460.03	3,098.42	0.00	0.00	0.00
11,500.00	89.97	179.93	8,718.90	-3,171.88	460.16	3,198.12	0.00	0.00	0.00
11,600.00	89.97	179.93	8,718.96	-3,271.88	460.29	3,297.83	0.00	0.00	0.00
11,700.00	89.97	179.93	8,719.02	-3,371.88	460.42	3,397.53	0.00	0.00	0.00
11,800.00	89.97	179.93	8,719.08	-3,471.88	460.55	3,497.24	0.00	0.00	0.00
11,900.00	89.97	179.93	8,719.13	-3,571.88	460.68	3,596.94	0.00	0.00	0.00
12,000.00	89.97	179.93	8,719.19	-3,671.88	460.81	3,696.65	0.00	0.00	0.00
12,100.00	89.97	179.93	8,719.25	-3,771.88	460.94	3,796.35	0.00	0.00	0.00
12,200.00	89.97	179.93	8,719.31	-3,871.88	461.07	3,896.06	0.00	0.00	0.00
12,300.00	89.97	179.93	8,719.37	-3,971.88	461.20	3,995.76	0.00	0.00	0.00
12,400.00	89.97	179.93	8,719.43	-4,071.88	461.33	4,095.47	0.00	0.00	0.00
12,500.00	89.97	179.93	8,719.48	-4,171.88	461.46	4,195.17	0.00	0.00	0.00
12,600.00	89.97	179.93	8,719.54	-4,271.88	461.59	4,294.88	0.00	0.00	0.00
12,700.00	89.97	179.93	8,719.60	-4,371.88	461.72	4,394.58	0.00	0.00	0.00
12,800.00	89.97	179.93	8,719.66	-4,471.88	461.85	4,494.29	0.00	0.00	0.00
12,900.00	89.97	179.93	8,719.72	-4,571.88	461.98	4,593.99	0.00	0.00	0.00
13,000.00	89.97	179.93	8,719.77	-4,671.88	462.11	4,693.69	0.00	0.00	0.00
13,100.00	89.97	179.93	8,719.83	-4,771.88	462.24	4,793.40	0.00	0.00	0.00
13,200.00	89.97	179.93	8,719.89	-4,871.88	462.37	4,893.10	0.00	0.00	0.00
13,300.00	89.97	179.93	8,719.95	-4,971.88	462.50	4,992.81	0.00	0.00	0.00
13,400.00	89.97	179.93	8,720.01	-5,071.88	462.63	5,092.51	0.00	0.00	0.00
13,500.00	89.97	179.93	8,720.06	-5,171.88	462.76	5,192.22	0.00	0.00	0.00
13,600.00	89.97	179.93	8,720.12	-5,271.88	462.89	5,291.92	0.00	0.00	0.00
13,700.00	89.97	179.93	8,720.18	-5,371.88	463.02	5,391.63	0.00	0.00	0.00
13,800.00	89.97	179.93	8,720.24	-5,471.88	463.15	5,491.33	0.00	0.00	0.00
13,900.00	89.97	179.93	8,720.30	-5,571.88	463.28	5,591.04	0.00	0.00	0.00
14,000.00	89.97	179.93	8,720.36	-5,671.88	463.41	5,690.74	0.00	0.00	0.00
14,100.00	89.97	179.93	8,720.41	-5,771.88	463.54	5,790.45	0.00	0.00	0.00
14,200.00	89.97	179.93	8,720.47	-5,871.88	463.67	5,890.15	0.00	0.00	0.00
14,249.62	89.97	179.93	8,720.50	-5,921.49	463.73	5,939.62	0.00	0.00	0.00

# Oxy Planning Report

<b>Database:</b>	HOPSPP	<b>Local Co-ordinate Reference:</b>	Well Nimitz MDP1 13 Federal Com 23H
<b>Company:</b>	ENGINEERING DESIGNS	<b>TVD Reference:</b>	RKB=26.5' @ 3530.50ft
<b>Project:</b>	PRD NM DIRECTIONAL PLANS (NAD 1983)	<b>MD Reference:</b>	RKB=26.5' @ 3530.50ft
<b>Site:</b>	Nimitz MDP1 13	<b>North Reference:</b>	Grid
<b>Well:</b>	Nimitz MDP1 13 Federal Com 23H	<b>Survey Calculation Method:</b>	Minimum Curvature
<b>Wellbore:</b>	Wellbore #1		
<b>Design:</b>	Permitting Plan		

Design Targets									
Target Name - hit/miss target - Shape	Dip Angle (°)	Dip Dir. (°)	TVD (ft)	+N/-S (ft)	+E/-W (ft)	Northing (usft)	Easting (usft)	Latitude	Longitude
FTP (Nimitz MDP1 13 - plan hits target center - Point	0.00	0.00	8,717.50	-758.55	457.03	445,900.00	695,240.40	32° 13' 29.552251 N	103° 50' 8.294721
PBHL (Nimitz MDP1 - plan hits target center - Point	0.00	0.00	8,720.50	-5,921.49	463.73	440,737.40	695,247.10	32° 12' 38.464402 N	103° 50' 8.495027

Plan Annotations				
Measured Depth (ft)	Vertical Depth (ft)	Local Coordinates		Comment
		+N/-S (ft)	+E/-W (ft)	
4,990.00	4,990.00	0.00	0.00	Build 2.00°/100'
5,489.96	5,487.43	-13.04	41.52	Hold 10.00° Tangent
7,697.75	7,661.68	-127.90	407.25	Turn 2.00°/100'
8,287.00	8,244.04	-194.63	456.30	KOP, Build 10.00°/100'
9,086.67	8,717.50	-758.55	457.03	Landing Point
14,249.62	8,720.50	-5,921.49	463.73	TD at 14249.62' MD

## Oxy USA Inc. - Nimitz MDP1 13 Federal Com 23H

### 1. Geologic Formations

TVD of target	8720'	Pilot Hole Depth	N/A
MD at TD:	14249'	Deepest Expected fresh water:	501'

#### Delaware Basin

Formation	TVD - RKB	Expected Fluids
Rustler	501	
Salado	854	Salt
Castile	2,742	Salt
Lamar/Delaware	4,190	Oil/Gas/Brine
Bell Canyon	4,217	Oil/Gas/Brine
Cherry Canyon	5,112	Oil/Gas/Brine
Brushy Canyon	6,371	Losses
Bone Spring	8,079	Oil/Gas
<b>1st Bone Spring</b>	<b>9,084</b>	<b>Oil/Gas</b>

\*H2S, water flows, loss of circulation, abnormal pressures, etc.

### 2. Casing Program

Hole Size (in)	Casing Interval		Csg. Size (in)	Weight (lbs)	Grade	Conn.	SF	SF Burst	Buoyant	Buoyant
	From (ft)	To (ft)					Collapse		Body SF Tension	Joint SF Tension
17.5	0	551	13.375	54.5	J-55	BTC	1.125	1.2	1.4	1.4
12.25	0	4240	9.625	40	L-80	BTC	1.125	1.2	1.4	1.4
8.5	0	8737	5.5	20	P-110	DQX	1.125	1.2	1.4	1.4
8.5	8737	14249	4.5	13.5	P-110	DQX	1.125	1.2	1.4	1.4
SF Values will meet or Exceed										

All casing strings will be tested in accordance with Onshore Oil and Gas Order #2 III.B.1.h

\*Oxy requests the option to set casing shallower yet still below the salts if losses or hole conditions require this. Cement volumes may be adjusted if casing is set shallower and a DV tool may be run in case hole conditions merit pumping a second stage cement job to comply with permitted top of cement. If cement circulated to surface during first stage, we will drop a cancellation cone and not pump the second stage.

\*Oxy requests the option to run production casing with DQX, SF TORQ, and/or DQW TORQ connections to accommodate hole conditions or drilling operations.

#### Annular Clearance Variance Request

As per the agreement reached in the Oxy/BLM meeting on Feb 22, 2018, Oxy requests permission to allow deviation from the 0.422" annular clearance requirement from Onshore Order #2 under the following conditions:

- Annular clearance to meet or exceed 0.422" between intermediate casing ID and production casing coupling only on the first 500' overlap between both casings.
- Annular clearance less than 0.422" is acceptable for the curve and lateral portions of the production open hole section.

	Y or N
Is casing new? If used, attach certification as required in Onshore Order #1	Y
Does casing meet API specifications? If no, attach casing specification sheet.	Y
Is premium or uncommon casing planned? If yes attach casing specification sheet.	Y
Does the above casing design meet or exceed BLM's minimum standards? If not provide justification (loading assumptions, casing design criteria).	Y
Will the intermediate pipe be kept at a minimum 1/3 fluid filled to avoid approaching the collapse pressure rating of the casing?	Y

**Oxy USA Inc. - Nimitz MDP1 13 Federal Com 23H**

Is well located within Capitan Reef?	N
If yes, does production casing cement tie back a minimum of 50' above the Reef?	
Is well within the designated 4 string boundary.	
Is well located in SOPA but not in R-111-P?	Y
If yes, are the first 2 strings cemented to surface and 3 <sup>rd</sup> string cement tied back 500' into previous casing?	Y
Is well located in R-111-P and SOPA?	N
If yes, are the first three strings cemented to surface?	
Is 2 <sup>nd</sup> string set 100' to 600' below the base of salt?	
Is well located in high Cave/Karst?	N
If yes, are there two strings cemented to surface?	
(For 2 string wells) If yes, is there a contingency casing if lost circulation occurs?	
Is well located in critical Cave/Karst?	N
If yes, are there three strings cemented to surface?	

**3. Cementing Program**

Casing String	# Skcs	Wt. (lb/gal)	Yld (ft3/sack)	H2O (gal/sk)	500# Comp. Strength (hours)	Slurry Description
Surface (Lead)	N/A	N/A	N/A	N/A	N/A	N/A
Surface (Tail)	587	14.8	1.33	6.365	5:26	Class C Cement, Accelerator
Intermediate (Lead)	982	12.9	1.73	8.784	15:26	Pozzolan Cement, Retarder
Intermediate (Tail)	155	14.8	1.33	6.368	7:11	Class C Cement, Accelerator
Production 1st Stage (Lead)	255	13.2	1.38	6.692	17:50	Class H Cement, Retarder, Dispersant, Salt
Production 1st Stage (Tail)	1084	13.2	1.38	6.686	3:49	Class H Cement, Retarder, Dispersant, Salt
2nd Stage Production Lead Slurry to be pumped as Bradenhead Squeeze from surface, down the Production annulus.						
Production 2nd Stage (Tail)	955	12.9	1.872	10.11	21:54	Class C Cement, Accelerator

Casing String	Top (ft)	Bottom (ft)	% Excess
Surface (Lead)	N/A	N/A	N/A
Surface (Tail)	0	551	100%
Intermediate (Lead)	0	3740	50%
Intermediate (Tail)	3740	4240	20%
Production 1st Stage (Lead)	6621	8079	5%
Production 1st Stage (Tail)	8079	14249	5%
Production 2nd Stage (Tail)	0	6621	25%

Oxy requests a variance to cement the 9.625" and/or 7.625" intermediate casing strings offline in accordance to the approved variance, EC Tran 461365.

The summarized operational sequence will be as follows:

1. Run casing as per normal operations. While running casing, conduct negative pressure test and confirm integrity of the float equipment (float collar and shoe).
2. Land casing.
3. Fill pipe with kill weight fluid, and confirm well is static.
  - a. If well is not static notify BLM and kill well.
  - b. Once well is static notify BLM with intent to proceed with nipple down and offline cementing.
4. Set and pressure test annular packoff.

**Oxy USA Inc. - Nimitz MDP1 13 Federal Com 23H**

5. After confirmation of both annular barriers and internal barriers, nipple down BOP and install cap flange. If any barrier fails to test, the BOP stack will not be nipped down until after the cement job is completed.
6. Skid rig to next well on pad.
7. Confirm well is static before removing cap flange.
8. If well is not static notify BLM and kill well prior to cementing or nipping up for further remediation.
9. Install offline cement tool.
10. Rig up cement equipment.
  - a. Notify BLM prior to cement job.
11. Perform cement job.
12. Confirm well is static and floats are holding after cement job.
13. Remove cement equipment, offline cement tools and install night cap with pressure gauge for monitoring.

Oxy requests permission to adjust the CBL requirement after bradenhead cement jobs, on 7-5/8” intermediate casings, as per the agreement reached in the OXY/BLM meeting on September 5, 2019.

**Three string wells:**

- CBL will be required on one well per pad
- If the pumped volume of cement is less than permitted in the APD, BLM will be notified and a CBL may be run
- Echometer will be used after bradenhead cement job to determine TOC before pumping top-out cement

**4. Pressure Control Equipment**

BOP installed and tested before drilling which hole?	Size?	Min. Required WP	Type	✓	Tested to:
12.25" Hole	13-5/8"	3M	Annular	✓	70% of working pressure
		3M	Blind Ram	✓	250 psi / 3000 psi
			Pipe Ram		
			Double Ram	✓	
Other*					
8.5" Hole	13-5/8"	3M	Annular	✓	70% of working pressure
		3M	Blind Ram	✓	250 psi / 3000 psi
			Pipe Ram		
			Double Ram	✓	
Other*					

\*Specify if additional ram is utilized.

Oxy will utilize a 5M annular with a 10M BOPE stack. The BOP/BOPE will be tested by an independent service company to 250 psi low and the high pressure indicated above per Onshore Order 2 requirements. The System may be upgraded to a higher pressure but still tested to the working pressure listed in the table above. If the system is upgraded all the components installed will be functional and tested.

Pipe rams will be operationally checked each 24 hour period. Blind rams will be operationally checked on each trip out of the hole. These checks will be noted on the daily tour sheets. Other accessories to the BOP equipment will include a Kelly cock and floor safety valve (inside BOP) and choke lines and choke manifold. See attached schematics.

**Oxy USA Inc. - Nimitz MDP1 13 Federal Com 23H**

Formation integrity test will be performed per Onshore Order #2. On Exploratory wells or on that portion of any well approved for a 5M BOPE system or greater, a pressure integrity test of each casing shoe shall be performed. Will be tested in accordance with Onshore Oil and Gas Order #2 III.B.1.i.	
A variance is requested for the use of a flexible choke line from the BOP to Choke Manifold. See attached for specs and hydrostatic test chart.	
<b>Y</b>	Are anchors required by manufacturer?
A multibowl or a unionized multibowl wellhead system will be employed. The wellhead and connection to the BOPE will meet all API 6A requirements. The BOP will be tested per Onshore Order #2 after installation on the surface casing which will cover testing requirements for a maximum of 30 days. If any seal subject to test pressure is broken the system must be tested. We will test the flange connection of the wellhead with a test port that is directly in the flange. We are proposing that we will run the wellhead through the rotary prior to cementing surface casing as discussed with the BLM on October 8, 2015.  See attached schematics.	

**BOP Break Testing Request**

Oxy requests permission to adjust the BOP break testing requirements as per the agreement reached in the OXY/BLM meeting on September 5, 2019. A separate sundry will be sent prior to spud that reflects the pad based break testing plan.

BOP break test under the following conditions:

- After a full BOP test is conducted
- When skidding to drill an intermediate section where ICP is set into the third Bone Spring or shallower.
- When skidding to drill a production section that does not penetrate into the third Bone Spring or deeper.

If the kill line is broken prior to skid, two tests will be performed.

- 1) Wellhead flange, co-flex hose, kill line connections and upper pipe rams
- 2) Wellhead flange, HCR valve, check valve, upper pipe rams

If the kill line is not broken prior to skid, only one test will be performed.

- 1) Wellhead flange, co-flex hose, check valve, upper pipe rams

**5. Mud Program**

Depth		Type	Weight (ppg)	Viscosity	Water Loss
From (ft)	To (ft)				
0	551	Water-Based Mud	8.6-8.8	40-60	N/C
551	4240	Saturated Brine-Based Mud	9.8-10.0	35-45	N/C
4240	14249	Water-Based or Oil-Based Mud	8.0-9.6	38-50	N/C

Sufficient mud materials to maintain mud properties and meet minimum lost circulation and weight increase requirements will be kept on location at all times. The following is a general list of products: Barite, Bentonite, Gypsum, Lime, Soda Ash, Caustic Soda, Nut Plug, Cedar Fiber, Cotton Seed Hulls, Drilling Paper, Salt Water Clay, CACL2. Oxy will use a closed mud system.

What will be used to monitor the loss or gain of fluid?	PVT/MD Totco/Visual Monitoring
---	--------------------------------

**6. Logging and Testing Procedures**



**Oxy USA Inc. - Nimitz MDP1 13 Federal Com 23H**

<b>Logging, Coring and Testing.</b>	
Yes	Will run GR from TD to surface (horizontal well – vertical portion of hole). Stated logs run will be in the Completion Report and submitted to the BLM.
No	Logs are planned based on well control or offset log information.
No	Drill stem test? If yes, explain
No	Coring? If yes, explain

<b>Additional logs planned</b>	<b>Interval</b>
No	Resistivity
No	Density
No	CBL
Yes	Mud log
No	PEX

**7. Drilling Conditions**

<b>Condition</b>	<b>Specify what type and where?</b>
BH Pressure at deepest TVD	4354 psi
Abnormal Temperature	No
BH Temperature at deepest TVD	150°F

Pump high viscosity sweeps as needed for hole cleaning. The mud system will be monitored visually/manually as well as with an electronic PVT. The necessary mud products for additional weight and fluid loss control will be on location at all times. Appropriately weighted mud will be used to isolate potential gas, oil, and water zones until such time as casing can be cemented into place for zonal isolation.

Hydrogen Sulfide (H2S) monitors will be installed prior to drilling out the surface shoe. If H2S is detected in concentrations greater than 100 ppm, the operator will comply with the provisions of Onshore Oil and Gas Order #6. If Hydrogen Sulfide is encountered, measured values and formations will be provided to the BLM.	
N	H2S is present
Y	H2S Plan attached

**8. Other facets of operation**

	<b>Yes/No</b>
Will the well be drilled with a walking/skidding operation? If yes, describe. <ul style="list-style-type: none"> <li>We plan to drill the six well pad in batch by section: all surface sections, intermediate sections and production sections. The wellhead will be secured with a night cap whenever the rig is not over the well.</li> </ul>	Yes
Will more than one drilling rig be used for drilling operations? If yes, describe. <ul style="list-style-type: none"> <li>Oxy requests the option to contract a Surface Rig to drill, set surface casing, and cement for this well. If the timing between rigs is such that Oxy would not be able to preset surface, the Primary Rig will MIRU and drill the well in its entirety per the APD. Please see the attached document for information on the spudder rig.</li> </ul>	Yes

**Total estimated cuttings volume: 1404.2 bbls.**

**Oxy USA Inc. - Nimitz MDP1 13 Federal Com 23H**

**9. Company Personnel**

<u>Name</u>	<u>Title</u>	<u>Office Phone</u>	<u>Mobile Phone</u>
Linsay Earle	Drilling Engineer	713-350-4921	832-596-5507
Margaret Giltner	Drilling Engineer Supervisor	713-366-5026	210-683-8480
Simon Benavides	Drilling Superintendent	713-522-8652	281-684-6897
Diego Tellez	Drilling Manager	713-350-4602	713-303-4932

APD ID: 10400047826

Submission Date: 09/24/2019

Highlighted data reflects the most recent changes

Operator Name: OXY USA INCORPORATED

Well Name: NIMITZ MDP1 13 FEDERAL COM

Well Number: 23H

[Show Final Text](#)

Well Type: OIL WELL

Well Work Type: Drill

## Section 1 - Existing Roads

Will existing roads be used? YES

Existing Road Map:

NimitzMDP113FdCom23H\_ExistRoads\_20190924073222.pdf

Existing Road Purpose: ACCESS,FLUID TRANSPORT

Row(s) Exist? NO

**ROW ID(s)**

ID:

Do the existing roads need to be improved? NO

Existing Road Improvement Description:

Existing Road Improvement Attachment:

## Section 2 - New or Reconstructed Access Roads

Will new roads be needed? YES

New Road Map:

NimitzMDP113FdCom23H\_NewRoads\_CGLs\_20190924072811.pdf

New road type: LOCAL

Length: 1627 Feet Width (ft.): 30

Max slope (%): 0 Max grade (%): 0

Army Corp of Engineers (ACOE) permit required? N

ACOE Permit Number(s):

New road travel width: 15

New road access erosion control: Watershed Diversion every 200' if needed.

New road access plan or profile prepared? Y

New road access plan attachment:

NimitzMDP113FdCom23H\_NewRoads\_CGLs\_20190924073118.pdf

Access road engineering design? N

**Operator Name:** OXY USA INCORPORATED

**Well Name:** NIMITZ MDP1 13 FEDERAL COM

**Well Number:** 23H

**Access road engineering design attachment:**

**Turnout?** N

**Access surfacing type:** OTHER

**Access topsoil source:** ONSITE

**Access surfacing type description:** Caliche

**Access onsite topsoil source depth:** 0

**Offsite topsoil source description:**

**Onsite topsoil removal process:** If available

**Access other construction information:** None

**Access miscellaneous information:** (Also previously submitted on Nimitz MDP1 12-1 Federal Com 172H APD) A new access road will run 91.7 northwest to the southeast corner of the pad. A new access road to the Sand Dunes S.C. CGL #8 pad will run 89.9 (0.017mi) in length crossing USA land in Section 8, T24S, R31E, NMPM, Eddy County, NM and being 15 left and 15 right of the centerline survey, see attached. (2) new access roads to Sand Dunes S.C. CGL # 7 pad will run (1) - 96.9 (0.018mi) in length crossing USA land in Section 7, T24S, R31E, NMPM, Eddy County, NM and being 15 left and 15 right of centerline survey, see attached, and (2) will run 739.8 (0.14mi) in length crossing northwest quarter of the northwest quarter Section 7, T24S, R31E, NMPM, Eddy County, NM and being more particularly described in survey attached. A new access road to the Sand Dunes S.C. CGL #12 pad will be 30 wide and 608.2 (0.115) in length crossing USA land in Section 12, T24S, R31E, NMPM, Eddy County, NM, and being 15 left and 15 right of the centerline survey, see attached.

**Number of access turnouts:**

**Access turnout map:**

### Drainage Control

**New road drainage crossing:** CULVERT

**Drainage Control comments:** Watershed Diversion every 200' if needed.

**Road Drainage Control Structures (DCS) description:** Watershed Diversion every 200' if needed.

**Road Drainage Control Structures (DCS) attachment:**

### Access Additional Attachments

### Section 3 - Location of Existing Wells

**Existing Wells Map?** YES

**Attach Well map:**

NimitzMDP112\_1FdCom23H\_ExistWells\_20190820114832.pdf

### Section 4 - Location of Existing and/or Proposed Production Facilities

**Submit or defer a Proposed Production Facilities plan?** DEFER

**Estimated Production Facilities description:** (Previously submitted with Nimitz MDP1 12-1 Federal Com 172H APD) a. In the event the well is found productive, the Sand Dunes S.C CGL #8, Sand Dunes S.C. CGL #7 and/or the Sand Dunes S.C CGL #12 would be utilized and the necessary production equipment will be installed at the well site. See proposed facilities layout diagrams. b. All flow lines will adhere to API standards. They will consist of (3) surface 4 composite flowlines per well

**Operator Name:** OXY USA INCORPORATED

**Well Name:** NIMITZ MDP1 13 FEDERAL COM

**Well Number:** 23H

operating 75% MAWP, lines to follow surveyed route. Survey of a strip of land 30 wide and 16,473.7(3.120 mi) in length crossing USA Land in Sections 7, T24S R31E, NMPM Lea County, NM, and being 15 left and 15 right of the centerline survey, see attached. (2) buried 8 steel gas lift lines operating 1500psig and (2) 20 steel gas sales lines operating 250 psig, all lines to follow surveyed route. Survey of a strip of land 30 wide and 18,542.6 (3.512mi) in length crossing USA land in Sections 7 & 8, T24S, R30E, NMPM, Eddy County, NM and being 15 left and 15 right of the centerline survey, see attached. All well pads have (2) 6 steel gas injection lines operating at 75% MAWP from the (2) 8 gas injection trunk lines to the wells, lines to follow surveyed route. Survey of a strip of land 30 wide and 6838.8 (1.295mi) in length crossing USA land in Sections 12& 13, T24S, R30E, NMPM, Eddy County, NM and Sections 7, 17 & 18, T24S, R31E, NMPM, Eddy County, NM, and being 15 left and 15 right of the centerline survey, see attached. c. Electric line (overhead) will follow a route approved by the BLM. Survey for a strip of land 30.0 wide and 604.2 (0.114mi) in length crossing USA land in section 12, T24S, R30E, NMPM, Eddy County, NM and being 15 left and 15 right of the centerline survey, see attached (#19110250). An electric line to the Sand Dunes S.C. CGL #7 pad will run 121.2 (0.229mi) in length crossing Section 7 T24S R31E, NMPM, Eddy County, NM and being more particularly described in the attached survey (#19110083). An electric line to the Sand Dunes S.C. CGL #8 pad will be 30 wide and run 60.1 (0.011mi) in length crossing USA land in Section 8, T24S, R31E, NMPM, Eddy County, NM and being 15 left and 15 right of the centerline survey, see attached (#19110082). An electric line to the Sand Dunes S.C. CGL #12 pad will be 30 wide and run 1137.1 (0.215mi) in length crossing USA land in Section 12, T24S, R30E, NMPM, Eddy County, NM and being 15 left and 15 right of the centerline survey, see attached (#19110068). d. The Sand Dunes S.C. CGL #7 proposed pad is attached. This pad will contain (2) 8 buried steel gas lift lines operating 1500psig and (2) 20 buried steel gas sales lines operating 250psig, all lines to follow surveyed route. Total length 503.5. Survey for a gas pipeline crossing Section 7 T24S R31E, NMPM, Eddy County, NM and being more particularly described in the attached (#19110342). The Sand Dunes S.C. CGL #8 proposed pad is attached. The Sand Dunes S.C. CGL #12 proposed pad is attached.

## Section 5 - Location and Types of Water Supply

### Water Source Table

**Water source type:** GW WELL

**Water source use type:** SURFACE CASING

INTERMEDIATE/PRODUCTION  
CASING

OTHER

**Describe use type:** Drilling

**Source latitude:**

**Source longitude:**

**Source datum:**

**Water source permit type:** WATER WELL

**Water source transport method:** TRUCKING

PIPELINE

**Source land ownership:** COMMERCIAL

**Source transportation land ownership:** COMMERCIAL

**Water source volume (barrels):** 2000

**Source volume (acre-feet):** 0.25778618

**Source volume (gal):** 84000

**Operator Name:** OXY USA INCORPORATED

**Well Name:** NIMITZ MDP1 13 FEDERAL COM

**Well Number:** 23H

**Water source and transportation map:**

NimitzMDP113FdCom23H\_GRRWtrSrc\_20190924073432.pdf

NimitzMDP113FdCom23H\_MesqWtrSrc\_20190924073439.pdf

**Water source comments:** This well will be drilled using a combination of water mud systems. It will be obtained from commercial water stations (Gregory Rockhouse, Mesquite) in the area and will be hauled to location by transport truck using existing and proposed roads.

**New water well?** N

**New Water Well Info**

**Well latitude:**

**Well Longitude:**

**Well datum:**

**Well target aquifer:**

**Est. depth to top of aquifer(ft):**

**Est thickness of aquifer:**

**Aquifer comments:**

**Aquifer documentation:**

**Well depth (ft):**

**Well casing type:**

**Well casing outside diameter (in.):**

**Well casing inside diameter (in.):**

**New water well casing?**

**Used casing source:**

**Drilling method:**

**Drill material:**

**Grout material:**

**Grout depth:**

**Casing length (ft.):**

**Casing top depth (ft.):**

**Well Production type:**

**Completion Method:**

**Water well additional information:**

**State appropriation permit:**

**Additional information attachment:**

**Section 6 - Construction Materials**

**Using any construction materials:** YES

**Construction Materials description:** Primary - All caliche utilized for the drilling pad and proposed access road will be obtained from an existing BLM/State/Fee approved pit or from prevailing deposits found on the location. Will use BLM recommended extra caliche from other locations close by for roads, if available. Secondary - The secondary way of obtaining caliche to build locations and roads will be by "turning over" the location. This means, caliche will be obtained from the actual well site. A caliche permit will be obtained from BLM prior to pushing up any caliche. 2400 cubic yards is max amount of caliche needed for pad and roads. Amount will vary for each pad. The procedure below has been approved by BLM personnel: a. The top 6" of topsoil is pushed off and stockpiled along the side of the location. b. An approximate 120' X 120' area is used within the proposed well site to remove caliche. c. Subsoil is removed and piled alongside the 120' X 120' within the pad site. d. When caliche is found, material will be stockpiled within the pad site to build the location and road. e. Then subsoil is pushed back in the hole and caliche is spread accordingly across entire location and road. f. Once the well is drilled the stockpiled top soil will be used for interim reclamation and spread along areas where caliche is picked up and the location size is reduced. Neither caliche nor subsoil will be stockpiled outside of the well pad. Topsoil will be stockpiled along the edge of the pad. Caliche will be provided from a pit located in Section 7 T24S R31E. Water will be provided from a frac pond

**Operator Name:** OXY USA INCORPORATED

**Well Name:** NIMITZ MDP1 13 FEDERAL COM

**Well Number:** 23H

located in Sections 7 T24S R31E.

**Construction Materials source location attachment:**

### Section 7 - Methods for Handling Waste

**Waste type:** DRILLING

**Waste content description:** Water-Based Cuttings, Water-Based Mud, Oil-Based Cuttings, Oil-Based Mud, Produced Water

**Amount of waste:** 1404.2 barrels

**Waste disposal frequency :** Daily

**Safe containment description:** Haul-Off Bins

**Safe containmant attachment:**

**Waste disposal type:** HAUL TO COMMERCIAL FACILITY      **Disposal location ownership:** COMMERCIAL FACILITY

**Disposal type description:**

**Disposal location description:** An approved facility that can process drill cuttings, drill fluids, flowback water, produced water, contaminated soils, and other non-hazardous wastes.

### Reserve Pit

**Reserve Pit being used?** NO

**Temporary disposal of produced water into reserve pit?** NO

**Reserve pit length (ft.)**                      **Reserve pit width (ft.)**

**Reserve pit depth (ft.)**    **Reserve pit volume (cu. yd.)**

**Is at least 50% of the reserve pit in cut?**

**Reserve pit liner**

**Reserve pit liner specifications and installation description**

### Cuttings Area

**Cuttings Area being used?** NO

**Are you storing cuttings on location?** Y

**Description of cuttings location** A closed loop system will be utilized consisting of above ground steel tanks and haul-off bins. Disposal of liquids, drilling fluids and cuttings will be disposed of at an approved facility.

**Cuttings area length (ft.)**    **Cuttings area width (ft.)**

**Cuttings area depth (ft.)**    **Cuttings area volume (cu. yd.)**

**Is at least 50% of the cuttings area in cut?**

**WCuttings area liner**

**Cuttings area liner specifications and installation description**

**Operator Name:** OXY USA INCORPORATED

**Well Name:** NIMITZ MDP1 13 FEDERAL COM

**Well Number:** 23H

### Section 8 - Ancillary Facilities

**Are you requesting any Ancillary Facilities?:** N

**Ancillary Facilities attachment:**

**Comments:**

### Section 9 - Well Site Layout

**Well Site Layout Diagram:**

NimitzMDP113FdCom23H\_WellSiteCLSTR\_20200217122957.pdf

**Comments:** V-Door-Northeast - CL Tanks - Northwest- 330' X 720' 10 Well Pad

### Section 10 - Plans for Surface Reclamation

**Type of disturbance:** New Surface Disturbance

**Multiple Well Pad Name:** Nimitz MDP1 12-1 & 13 Federal Com

**Multiple Well Pad Number:** 172H, 12H, 23H, 43H,44H & 172H 12H, 23H, 43H, 44H

**Recontouring attachment:**

**Drainage/Erosion control construction:** Reclamation to be wind rowed as needed to control erosion

**Drainage/Erosion control reclamation:** Reclamation to be wind rowed as needed to control erosion

<b>Well pad proposed disturbance (acres):</b> 5.45	<b>Well pad interim reclamation (acres):</b> 1.6	<b>Well pad long term disturbance (acres):</b> 3.86
<b>Road proposed disturbance (acres):</b> 1.12	<b>Road interim reclamation (acres):</b> 0	<b>Road long term disturbance (acres):</b> 1.12
<b>Powerline proposed disturbance (acres):</b> 1.32	<b>Powerline interim reclamation (acres):</b> 1.32	<b>Powerline long term disturbance (acres):</b> 0
<b>Pipeline proposed disturbance (acres):</b> 29.17	<b>Pipeline interim reclamation (acres):</b> 19.45	<b>Pipeline long term disturbance (acres):</b> 9.72
<b>Other proposed disturbance (acres):</b> 0	<b>Other interim reclamation (acres):</b> 0	<b>Other long term disturbance (acres):</b> 0
<b>Total proposed disturbance:</b> 37.06	<b>Total interim reclamation:</b> 22.369999999999997	<b>Total long term disturbance:</b> 14.700000000000001

**Disturbance Comments:** See Below

**Reconstruction method:** If the well is deemed commercially productive, caliche from the areas of the pad site not required for operations will be reclaimed. The original topsoil will be returned to the area of the drill pad not necessary to operate the well. These unused areas of the drill pad will be contoured, as close as possible, to match the original topography, and the area will be seeded with an approved BLM mixture to re-establish vegetation. After concluding the drilling and/or completion operations, if the well is found non-commercial, the caliche will be removed from the pad and transported to the original caliche pit or used for other drilling locations. The road will be reclaimed as directed by the BLM. The original topsoil will



**Operator Name:** OXY USA INCORPORATED

**Well Name:** NIMITZ MDP1 13 FEDERAL COM

**Well Number:** 23H

again be returned to the pad and contoured, as close as possible, to the original topography, and the area will be seeded with an approved BLM mixture to re-establish vegetation.

**Topsoil redistribution:** The original topsoil will be returned to the area of the drill pad not necessary to operate the well.

**Soil treatment:** To be determined by the BLM.

**Existing Vegetation at the well pad:** To be determined by the BLM at Onsite.

**Existing Vegetation at the well pad attachment:**

**Existing Vegetation Community at the road:** To be determined by the BLM at Onsite.

**Existing Vegetation Community at the road attachment:**

**Existing Vegetation Community at the pipeline:** To be determined by the BLM at Onsite.

**Existing Vegetation Community at the pipeline attachment:**

**Existing Vegetation Community at other disturbances:** To be determined by the BLM at Onsite.

**Existing Vegetation Community at other disturbances attachment:**

**Non native seed used?** N

**Non native seed description:**

**Seedling transplant description:**

**Will seedlings be transplanted for this project?** N

**Seedling transplant description attachment:**

**Will seed be harvested for use in site reclamation?** N

**Seed harvest description:**

**Seed harvest description attachment:**

[Seed Management](#)

[Seed Table](#)

**Seed Summary**

**Total pounds/Acre:**

Seed Type	Pounds/Acre
-----------	-------------

**Seed reclamation attachment:**

[Operator Contact/Responsible Official Contact Info](#)

**Operator Name:** OXY USA INCORPORATED

**Well Name:** NIMITZ MDP1 13 FEDERAL COM

**Well Number:** 23H

**First Name:**

**Last Name:**

**Phone:**

**Email:**

**Seedbed prep:**

**Seed BMP:**

**Seed method:**

**Existing invasive species?** N

**Existing invasive species treatment description:**

**Existing invasive species treatment attachment:**

**Weed treatment plan description:** To be determined by the BLM.

**Weed treatment plan attachment:**

**Monitoring plan description:** To be determined by the BLM.

**Monitoring plan attachment:**

**Success standards:** To be determined by the BLM.

**Pit closure description:** NA

**Pit closure attachment:**

## Section 11 - Surface Ownership

**Disturbance type:** WELL PAD

**Describe:**

**Surface Owner:** BUREAU OF LAND MANAGEMENT

**Other surface owner description:**

**BIA Local Office:**

**BOR Local Office:**

**COE Local Office:**

**DOD Local Office:**

**NPS Local Office:**

**State Local Office:**

**Military Local Office:**

**USFWS Local Office:**

**Other Local Office:**

**USFS Region:**

**USFS Forest/Grassland:**

**USFS Ranger District:**

**Operator Name:** OXY USA INCORPORATED

**Well Name:** NIMITZ MDP1 13 FEDERAL COM

**Well Number:** 23H

**Disturbance type:** PIPELINE

**Describe:**

**Surface Owner:** BUREAU OF LAND MANAGEMENT

**Other surface owner description:**

**BIA Local Office:**

**BOR Local Office:**

**COE Local Office:**

**DOD Local Office:**

**NPS Local Office:**

**State Local Office:**

**Military Local Office:**

**USFWS Local Office:**

**Other Local Office:**

**USFS Region:**

**USFS Forest/Grassland:**

**USFS Ranger District:**

**Disturbance type:** OTHER

**Describe:** Electric Line

**Surface Owner:** BUREAU OF LAND MANAGEMENT

**Other surface owner description:**

**BIA Local Office:**

**BOR Local Office:**

**COE Local Office:**

**DOD Local Office:**

**NPS Local Office:**

**State Local Office:**

**Military Local Office:**

**USFWS Local Office:**

**Other Local Office:**

**USFS Region:**

**USFS Forest/Grassland:**

**USFS Ranger District:**

**Operator Name:** OXY USA INCORPORATED

**Well Name:** NIMITZ MDP1 13 FEDERAL COM

**Well Number:** 23H

**Disturbance type:** NEW ACCESS ROAD

**Describe:**

**Surface Owner:** BUREAU OF LAND MANAGEMENT

**Other surface owner description:**

**BIA Local Office:**

**BOR Local Office:**

**COE Local Office:**

**DOD Local Office:**

**NPS Local Office:**

**State Local Office:**

**Military Local Office:**

**USFWS Local Office:**

**Other Local Office:**

**USFS Region:**

**USFS Forest/Grassland:**

**USFS Ranger District:**

**Disturbance type:** OTHER

**Describe:** CGLs

**Surface Owner:** BUREAU OF LAND MANAGEMENT

**Other surface owner description:**

**BIA Local Office:**

**BOR Local Office:**

**COE Local Office:**

**DOD Local Office:**

**NPS Local Office:**

**State Local Office:**

**Military Local Office:**

**USFWS Local Office:**

**Other Local Office:**

**USFS Region:**

**USFS Forest/Grassland:**

**USFS Ranger District:**

**Operator Name:** OXY USA INCORPORATED

**Well Name:** NIMITZ MDP1 13 FEDERAL COM

**Well Number:** 23H

## Section 12 - Other Information

**Right of Way needed?** Y

**Use APD as ROW?** Y

**ROW Type(s):** 281001 ROW - ROADS,289001 ROW- O&G Well Pad

## ROW Applications

**SUPO Additional Information:** Permian Basin MOA - To be submitted after APD acceptance. GIS Shapefiles available for BLM download from shared FTP site after APD submittal.

**Use a previously conducted onsite?** N

**Previous Onsite information:**

## Other SUPO Attachment

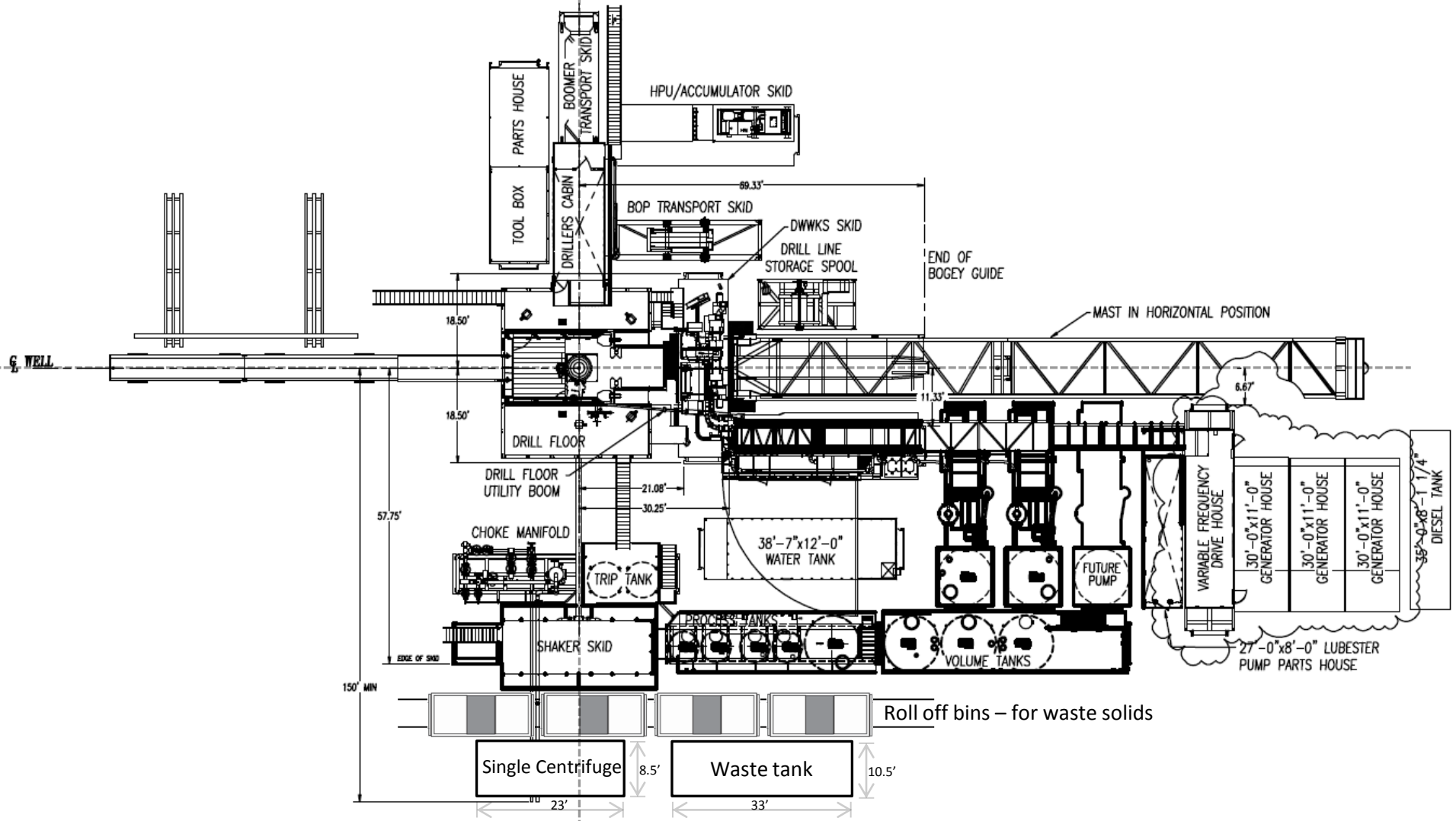
NimitzMDP113FdCom23H\_GasCapPlan\_20190924073711.pdf

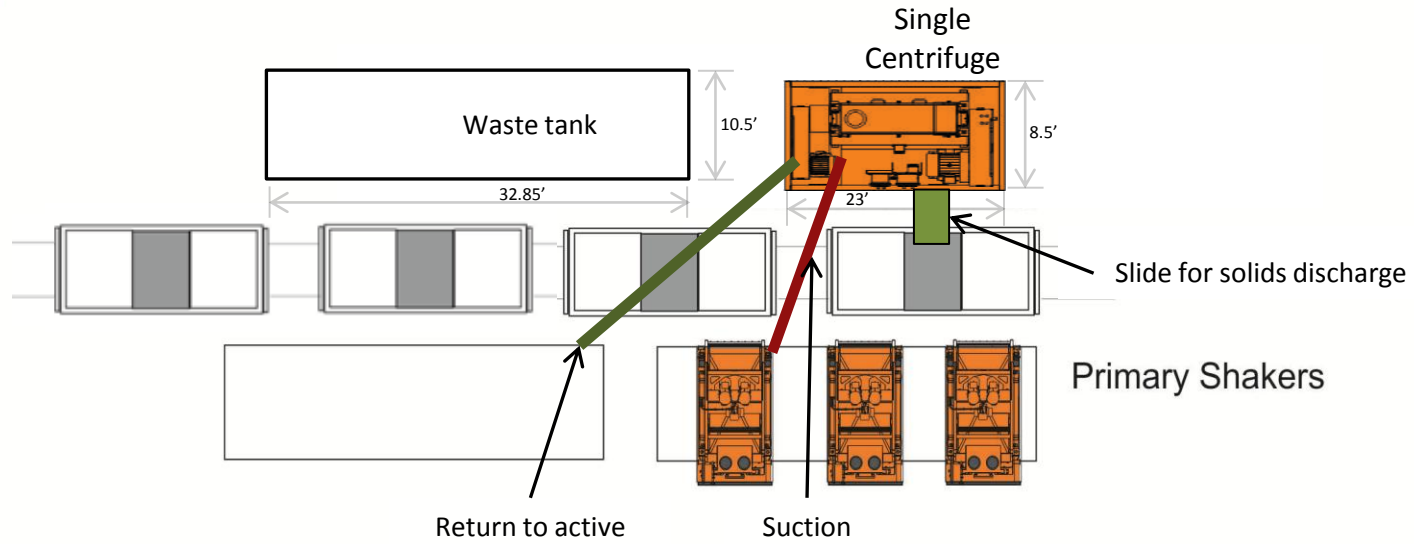
NimitzMDP113FdCom23H\_MiscSvyPlats\_20190924073719.pdf

NimitzMDP113FdCom23H\_StakeForm\_20190924073728.pdf

NimitzMDP113FdCom23H\_SUPO\_20190924073733.pdf

Oxy Single Centrifuge  
 Closed Loop System – New  
 Mexico Flex III  
 May 28, 2013





Oxy Single Centrifuge  
Closed Loop System – New  
Mexico Flex III  
May 28, 2013

District I  
1625 N. French Dr., Hobbs, NM 88240  
District II  
811 S. First St., Artesia, NM 88210  
District III  
1000 Rio Brazos Road, Aztec, NM 87410  
District IV  
1220 S. St. Francis Dr., Santa Fe, NM 87505

State of New Mexico  
Energy, Minerals and Natural Resources Department

Submit Original  
to Appropriate  
District Office

Oil Conservation Division  
1220 South St. Francis Dr.  
Santa Fe, NM 87505

**GAS CAPTURE PLAN**

Date: 07-18-2019

Original

Operator & OGRID No.: OXY USA INC. - 16696

Amended - Reason for Amendment: \_\_\_\_\_

This Gas Capture Plan outlines actions to be taken by the Operator to reduce well/production facility flaring/venting for new completion (new drill, recomplete to new zone, re-frac) activity.

*Note: Form C-129 must be submitted and approved prior to exceeding 60 days allowed by Rule (Subsection A of 19.15.18.12 NMAC).*

**Well(s)/Production Facility – Name of facility**

The well(s) that will be located at the production facility are shown in the table below.

Well Name	API	Well Location (ULSTR)	Footages	Expected MCF/D	Flared or Vent	Comments
Nimitz MDP1 12_1 FED COM 11H	Pending	D-13-T24S-R30E	826' FNL 287' FWL	2,500	0	
Nimitz MDP1 12_1 FED COM 12H	Pending	N-12-T24S-R30E	615' FSL 1703'FWL	2,500	0	
Nimitz MDP1 12_1 FED COM 13H	Pending	C-13-T24S-R30E	498' FNL 2405' FWL	2,500	0	
Nimitz MDP1 12_1 FED COM 14H	Pending	P-12-T24S-R30E	830' FSL 795' FEL	2,500	0	
Nimitz MDP1 12_1 FED COM 21H	Pending	D-13-T24S-R30E	798' FNL 276' FWL	5,500	0	
Nimitz MDP1 12_1 FED COM 22H	Pending	D-13-T24S-R30E	892' FNL 311' FWL	5,500	0	
Nimitz MDP1 12_1 FED COM 23H	Pending	N-12-T24S-R30E	644' FSL 1766' FWL	5,500	0	
Nimitz MDP1 12_1 FED COM 24H	Pending	C-13-T24S-R30E	428' FNL 2405' FWL	5,500	0	
Nimitz MDP1 12_1 FED COM 25H	Pending	P-12-T24S-R30E	830'FSL 1350' FEL	5,500	0	
Nimitz MDP1 12_1 FED COM 26H	Pending	P-12-T24S-R30E	830' FSL 730' FEL	5,500	0	
Nimitz MDP1 12_1 FED COM 41H	Pending	D-13-T24S-R30E	986' FNL 345' FWL	7,200	0	
Nimitz MDP1 12_1 FED COM 42H	Pending	D-13-T24S-R30E	1047' FNL 368' FWL	7,200	0	
Nimitz MDP1 12_1 FED COM 43H	Pending	N-12-T24S-R30E	674' FSL 1830' FWL	7,200	0	
Nimitz MDP1 12_1 FED COM 44H	Pending	N-12-T24S-R30E	716' FSL 1921' FWL	7,200	0	
Nimitz MDP1 12_1 FED COM 45H	Pending	P-12-T24S-R30E	439' FSL 1138' FEL	7,200	0	
Nimitz MDP1 12_1 FED COM 46H	Pending	P-12-T24S-R30E	115' FSL 140' FEL	7,200	0	



Nimitz MDP1 12_1 FED COM 171H	Pending	M-12-T24S-R30E	275' FSL 67' FWL	4,200	0	
Nimitz MDP1 12_1 FED COM 172H	Pending	N-12-T24S-R30E	585' FSL 1639' FWL	4,200	0	
Nimitz MDP1 12_1 FED COM 173H	Pending	C-13-T24S-R30E	363' FNL 2405' FWL	4,200	0	
Nimitz MDP1 12_1 FED COM 174H	Pending	C-13-T24S-R30E	293' FNL 2405' FWL	4,200	0	
Nimitz MDP1 12_1 FED COM 175H	Pending	P-12-T24S-R30E	439' FSL 1068' FEL	4,200	0	
Nimitz MDP1 12_1 FED COM 176H	Pending	P-12-T24S-R30E	439' FSL 968' FEL	4,200	0	
Nimitz MDP1 13 FED COM 11H	Pending	D-13-T24S-R30E	953' FNL 333' FWL	1,700	0	
Nimitz MDP1 13 FED COM 12H	Pending	N-12-T24S-R30E	630' FSL 1734' FWL	1,700	0	
Nimitz MDP1 13 FED COM 13H	Pending	C-13-T24S-R30E	533' FNL 2405' FWL	1,700	0	
Nimitz MDP1 13 FED COM 14H	Pending	P-12-T24S-R30E	830' FSL 660' FEL	1,700	0	
Nimitz MDP1 13 FED COM 21H	Pending	D-13-T24S-R30E	859' FNL 299' FWL	3,700	0	
Nimitz MDP1 13 FED COM 22H	Pending	D-13-T24S-R30E	925' FNL 323' FWL	3,700	0	
Nimitz MDP1 13 FED COM 23H	Pending	N-12-T24S-R30E	659' FSL 1798' FWL	3,700	0	
Nimitz MDP1 13 FED COM 24H	Pending	C-13-T24S-R30E	463' FNL 2405' FWL	3,700	0	
Nimitz MDP1 13 FED COM 25H	Pending	P-12-T24S-R30E	830' FSL 760' FEL	3,700	0	
Nimitz MDP1 13 FED COM 26H	Pending	P-12-T24S-R30E	830' FSL 695' FEL	3,700	0	
Nimitz MDP1 13 FED COM 41H	Pending	D-13-T24S-R30E	1014' FNL 356' FWL	5,000	0	
Nimitz MDP1 13 FED COM 42H	Pending	D-13-T24S-R30E	1080' FNL 380' FWL	5,000	0	
Nimitz MDP1 13 FED COM 43H	Pending	N-12-T24S-R30E	689' FSL 1862' FWL	5,000	0	
Nimitz MDP1 13 FED COM 44H	Pending	N-12-T24S-R30E	704' FSL 1893' FWL	5,000	0	
Nimitz MDP1 13 FED COM 45H	Pending	P-12-T24S-R30E	439' FSL 1103' FEL	5,000	0	
Nimitz MDP1 13 FED COM 46H	Pending	P-12-T24S-R30E	80' FSL 140' FEL	5,000	0	
Nimitz MDP1 13 FED COM 171H	Pending	M-12-T24S-R30E	275' FSL 32' FWL	2,800	0	
Nimitz MDP1 13 FED COM 172H	Pending	N-12-T24S-R30E	600' FSL 1671' FWL	2,800	0	
Nimitz MDP1 13 FED COM 173H	Pending	C-13-T24S-R30E	328' FNL 2405' FWL	2,800	0	
Nimitz MDP1 13 FED COM 174H	Pending	C-13-T24S-R30E	393' FNL 2405' FWL	2,800	0	

Nimitz MDP1 13 FED COM 175H	Pending	P-12-T24S-R30E	439' FSL 1033' FEL	2,800	0	
Nimitz MDP1 13 FED COM 176H	Pending	P-12-T24S-R30E	439' FSL 998' FEL	2,800	0	

**Gathering System and Pipeline Notification**

Well(s) will be connected to a production facility after flowback operations are complete, where a gas transporter system is in place. The gas produced from production facility is dedicated to Enterprise Field Services, LLC (“Enterprise”) and is connected to Enterprise low/high pressure gathering system located in Eddy County, New Mexico. OXY USA INC. (“OXY”) provides (periodically) to Enterprise a drilling, completion and estimated first production date for wells that are scheduled to be drilled in the foreseeable future. In addition, OXY and Enterprise have periodic conference calls to discuss changes to drilling and completion schedules. Gas from these wells will be processed at Enterprise’s Processing Plant located in Sec. 36, Twn. 24S, Rng. 30E, Eddy County, New Mexico. The actual flow of the gas will be based on compression operating parameters and gathering system pressures.

**Flowback Strategy**

After the fracture treatment/completion operations, well(s) will be produced to temporary production tanks and gas will be flared or vented. During flowback, the fluids and sand content will be monitored. When the produced fluids contain minimal sand, the wells will be turned to production facilities. Gas sales should start as soon as the wells start flowing through the production facilities, unless there are operational issues on Enterprise system at that time. Based on current information, it is OXY’s belief the system can take this gas upon completion of the well(s).

Safety requirements during cleanout operations from the use of underbalanced air cleanout systems may necessitate that sand and non-pipeline quality gas be vented and/or flared rather than sold on a temporary basis.

**Alternatives to Reduce Flaring**

Below are alternatives considered from a conceptual standpoint to reduce the amount of gas flared.

- Power Generation – On lease
  - Only a portion of gas is consumed operating the generator, remainder of gas will be flared
- Compressed Natural Gas – On lease
  - Gas flared would be minimal, but might be uneconomical to operate when gas volume declines
- NGL Removal – On lease
  - Plants are expensive, residue gas is still flared, and uneconomical to operate when gas volume declines

**APD ID:** 10400047826

**Submission Date:** 09/24/2019

**Operator Name:** OXY USA INCORPORATED

**Well Name:** NIMITZ MDP1 13 FEDERAL COM

**Well Number:** 23H

**Well Type:** OIL WELL

**Well Work Type:** Drill

### Section 1 - General

**Would you like to address long-term produced water disposal?** NO

### Section 2 - Lined Pits

**Would you like to utilize Lined Pit PWD options?** N

**Produced Water Disposal (PWD) Location:**

**PWD surface owner:**

**PWD disturbance (acres):**

**Lined pit PWD on or off channel:**

**Lined pit PWD discharge volume (bbl/day):**

**Lined pit specifications:**

**Pit liner description:**

**Pit liner manufacturers information:**

**Precipitated solids disposal:**

**Describe precipitated solids disposal:**

**Precipitated solids disposal permit:**

**Lined pit precipitated solids disposal schedule:**

**Lined pit precipitated solids disposal schedule attachment:**

**Lined pit reclamation description:**

**Lined pit reclamation attachment:**

**Leak detection system description:**

**Leak detection system attachment:**

**Operator Name:** OXY USA INCORPORATED

**Well Name:** NIMITZ MDP1 13 FEDERAL COM

**Well Number:** 23H

**Lined pit Monitor description:**

**Lined pit Monitor attachment:**

**Lined pit: do you have a reclamation bond for the pit?**

**Is the reclamation bond a rider under the BLM bond?**

**Lined pit bond number:**

**Lined pit bond amount:**

**Additional bond information attachment:**

### **Section 3 - Unlined Pits**

**Would you like to utilize Unlined Pit PWD options?** N

**Produced Water Disposal (PWD) Location:**

**PWD disturbance (acres):**

**PWD surface owner:**

**Unlined pit PWD on or off channel:**

**Unlined pit PWD discharge volume (bbl/day):**

**Unlined pit specifications:**

**Precipitated solids disposal:**

**Describe precipitated solids disposal:**

**Precipitated solids disposal permit:**

**Unlined pit precipitated solids disposal schedule:**

**Unlined pit precipitated solids disposal schedule attachment:**

**Unlined pit reclamation description:**

**Unlined pit reclamation attachment:**

**Unlined pit Monitor description:**

**Unlined pit Monitor attachment:**

**Do you propose to put the produced water to beneficial use?**

**Beneficial use user confirmation:**

**Estimated depth of the shallowest aquifer (feet):**

**Does the produced water have an annual average Total Dissolved Solids (TDS) concentration equal to or less than that of the existing water to be protected?**

**TDS lab results:**

**Geologic and hydrologic evidence:**

**State authorization:**

**Unlined Produced Water Pit Estimated percolation:**

**Unlined pit: do you have a reclamation bond for the pit?**

**Operator Name:** OXY USA INCORPORATED

**Well Name:** NIMITZ MDP1 13 FEDERAL COM

**Well Number:** 23H

**Is the reclamation bond a rider under the BLM bond?**

**Unlined pit bond number:**

**Unlined pit bond amount:**

**Additional bond information attachment:**

#### Section 4 - Injection

**Would you like to utilize Injection PWD options?** N

**Produced Water Disposal (PWD) Location:**

**PWD surface owner:**

**PWD disturbance (acres):**

**Injection PWD discharge volume (bbl/day):**

**Injection well mineral owner:**

**Injection well type:**

**Injection well number:**

**Injection well name:**

**Assigned injection well API number?**

**Injection well API number:**

**Injection well new surface disturbance (acres):**

**Minerals protection information:**

**Mineral protection attachment:**

**Underground Injection Control (UIC) Permit?**

**UIC Permit attachment:**

#### Section 5 - Surface Discharge

**Would you like to utilize Surface Discharge PWD options?** N

**Produced Water Disposal (PWD) Location:**

**PWD surface owner:**

**PWD disturbance (acres):**

**Surface discharge PWD discharge volume (bbl/day):**

**Surface Discharge NPDES Permit?**

**Surface Discharge NPDES Permit attachment:**

**Surface Discharge site facilities information:**

**Surface discharge site facilities map:**

#### Section 6 - Other

**Would you like to utilize Other PWD options?** N

**Produced Water Disposal (PWD) Location:**

**PWD surface owner:**

**PWD disturbance (acres):**

**Other PWD discharge volume (bbl/day):**

**Operator Name:** OXY USA INCORPORATED

**Well Name:** NIMITZ MDP1 13 FEDERAL COM

**Well Number:** 23H

**Other PWD type description:**

**Other PWD type attachment:**

**Have other regulatory requirements been met?**

**Other regulatory requirements attachment:**



**APD ID:** 10400047826

**Submission Date:** 09/24/2019

Highlighted data  
reflects the most  
recent changes

**Operator Name:** OXY USA INCORPORATED

**Well Name:** NIMITZ MDP1 13 FEDERAL COM

**Well Number:** 23H

[Show Final Text](#)

**Well Type:** OIL WELL

**Well Work Type:** Drill

## Bond Information

**Federal/Indian APD:** FED

**BLM Bond number:** ESB000226

**BIA Bond number:**

**Do you have a reclamation bond?** NO

**Is the reclamation bond a rider under the BLM bond?**

**Is the reclamation bond BLM or Forest Service?**

**BLM reclamation bond number:**

**Forest Service reclamation bond number:**

**Forest Service reclamation bond attachment:**

**Reclamation bond number:**

**Reclamation bond amount:**

**Reclamation bond rider amount:**

**Additional reclamation bond information attachment:**