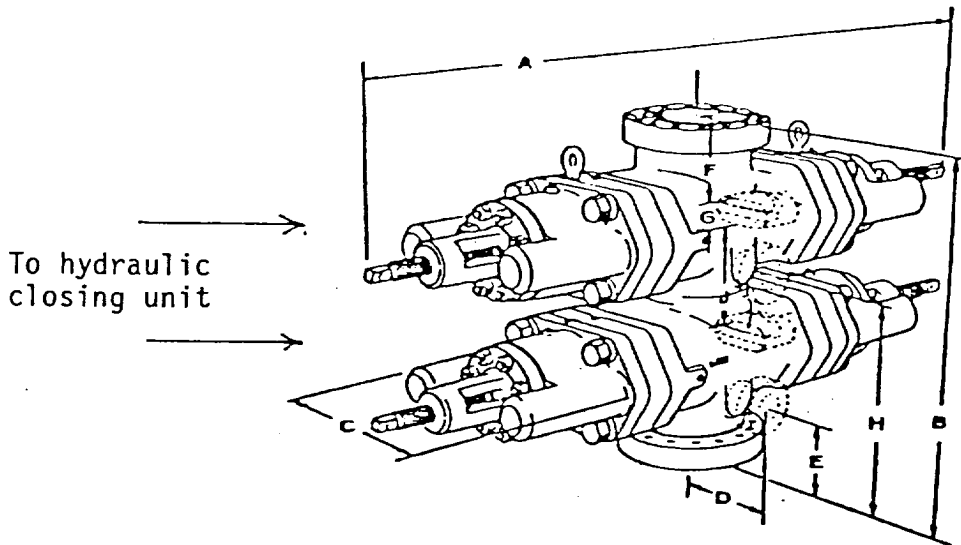


EXHIBIT "E"

BOP Diagram

After 12-3/4 surface casing has been set and cement circulated to the surface, an 11" double ram BOP, as shown below will be put on the hole. This blowout preventer will be connected to a hydraulically controlled closing unit. The pressure rating on this BOP is 3000#, and will have blank and 4-1/2" pipe rams.



J.C. Williamson
EP-USA WELL #7