



UNITED STATES
DEPARTMENT OF THE INTERIOR
BUREAU OF LAND MANAGEMENT

FORM APPROVED
OMB No. 1004-0135
Expires November 30, 2000

MONTHLY NOTICES AND REPORTS ON WELLS
Do not use this form for proposals to drill or to re-enter an
Abandoned well. Use Form 3160-3 (APD) for such proposals.

2007 MAR 12 PM 2:18 SF-078194

RECEIVED
BLM
210 FARMINGTON NM

TRIPPLICATE - Other instructions on reverse side

1. Type of Well <input type="checkbox"/> Oil Well <input checked="" type="checkbox"/> Gas Well <input type="checkbox"/> Other		5. Lease Serial No. SF-078194
2. Name of Operator BP AMERICA PRODUCTION COMPANY		6. If Indian, Allottee or tribe Name
3a. Address PO BOX 3092 HOUSTON, TX 77253	3b. Phone No. (include area code) 281-366-7148	7. If Unit or CA/Agreement, Name and/or No. 210 FARMINGTON NM
4. Location of Well (Footage, Sec., T., R., M., or Survey Description) 2300' FSL & 2155' FEL NWSE SECTION 29 T30N & R10W		8. Well Name and No. Ludwick LS 17N
		9. API Well No.
		10. Field and Pool, or Exploratory Area BASIN DAKOTA & BLANCO MESAVERDE
		11. County or Parish, State SAN JUAN, NM

12. CHECK APPROPRIATE BOX(ES) TO INDICATE NATURE OR NOTICE, REPORT, OR OTHER DATA

TYPE OF SUBMISSION	TYPE OF ACTION		
<input checked="" type="checkbox"/> Notice of Intent	<input type="checkbox"/> Acidize	<input type="checkbox"/> Deepen	<input type="checkbox"/> Production (Start/Resume)
<input type="checkbox"/> Subsequent Report	<input type="checkbox"/> Alter Casing	<input type="checkbox"/> Fracture Treat	<input type="checkbox"/> Reclamation
<input type="checkbox"/> Final Abandonment Notice	<input type="checkbox"/> Casing Repair	<input type="checkbox"/> New Construction	<input type="checkbox"/> Recomplete
	<input type="checkbox"/> Change Plans	<input type="checkbox"/> Plug and Abandon	<input type="checkbox"/> Water Disposal
	<input type="checkbox"/> Convert to Injection	<input type="checkbox"/> Plug Back	<input checked="" type="checkbox"/> Other <u>Change BOP</u>

13. Describe Proposed or Completed Operation (clearly state all pertinent details, including estimated starting date of any proposed work and approximate duration thereof. If the proposal is to deepen directionally or recomplete horizontally, give subsurface locations and measured and true vertical depths of all pertinent markers and zones. Attach the Bond under which the work will be performed or provide the Bond No. on file with BLM/BIA. Required subsequent reports shall be filed within 30 days following completion of the involved operations. If the operation results in a multiple completion or recompletion in a new interval, a Form 3160-4 shall be filed once testing has been completed. Final Abandonment Notices shall be filed only after all requirements, including reclamation, have been completed, and the operator has determined that the site is ready for final inspection.

DUE TO A CHANGE IN DRILLING RIG THE BOP DRAWING AND CHOKE MANIFOLD HAS CHANGED. ATTACHED ARE THE UPDATED ARRANGEMENTS TO OUR ORIGINAL BOP DRAWING.

IF YOU NEED ANY ADDITIONAL INFORMATION PLEASE FEEL FREE TO CONTACT HARALD JORDAN (a, 505-326-9202

14. I hereby certify that the foregoing is true and correct
Name (Printed/typed) Cherry Hlava Title Regulatory Analyst

Signature *Cherry Hlava* Date 03/06/07

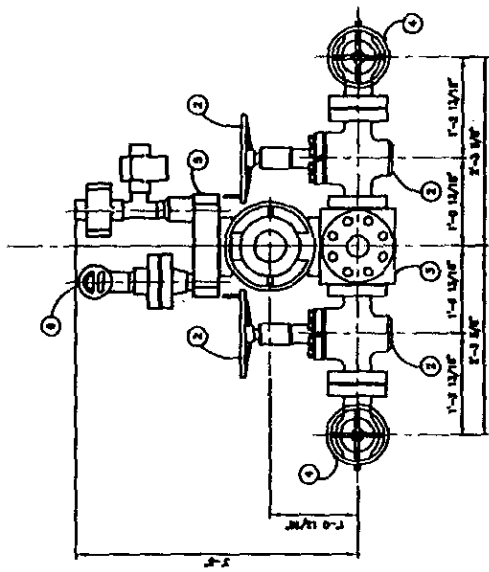
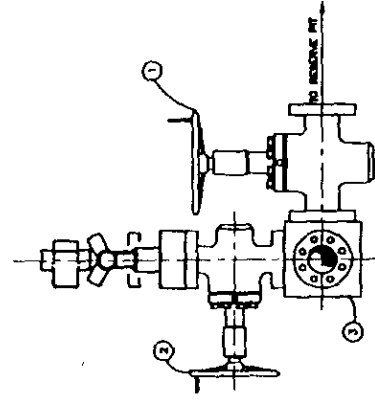
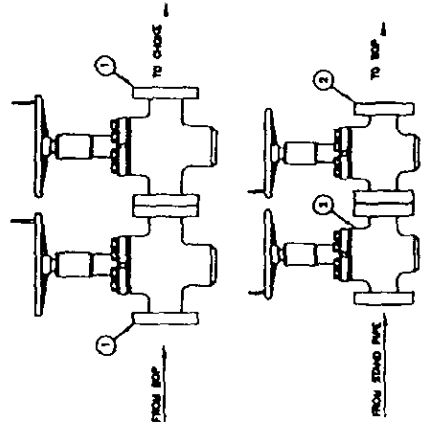
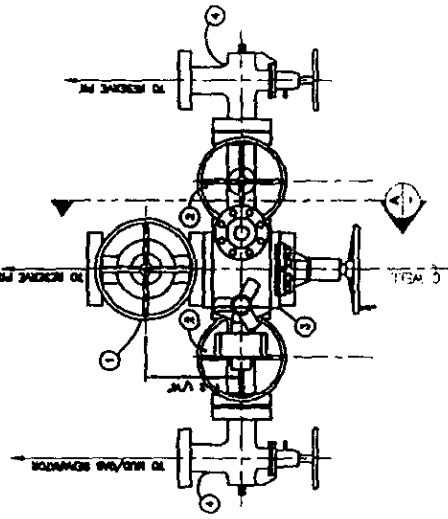
THIS SPACE FOR FEDERAL OR STATE OFFICE USE

Approved by <u><i>D. Mankew</i></u>	Title <u>AFM</u>	Date <u>4/11/07</u>
Conditions of approval, if any, are attached. Approval of this notice does not warrant or certify that the applicant holds legal or equitable title to those rights in the subject lease which would entitle the applicant to conduct operations thereon.	Office <u>FFD</u>	

Title 18 U.S.C. Section 1001 and Title 43 U.S.C. Section 1212, make it a crime for any person knowingly and willfully to make to any department or agency of the United States any false, fictitious or fraudulent statements or representations as to any matter within its jurisdiction.

NMOCD *ds*

- LEGEND**
- 1 3 1/8" - 5M FLANGED END GATE VALVE
 - 2 1 1/16" - 5M FLANGED END GATE VALVE
 - 3 BLOCK WITH TRANSMITTER FLANGE AND PRESSURE GAUGE
 - 4 2 1/16" - 5M ADJUSTABLE CHOKE
 - 5 TRANSMITTER FLANGE
 - 6 PRESSURE GAUGE



ISSUED FOR FABRICATION
DATE: 1-25-50
DRAWN BY: [Name]
CHECKED BY: [Name]

HELMERICH & PAYNE
INTERNATIONAL DRILLING CO.
CHOKES MANIFOLD
DETAIL ARRANGEMENT

NO.	DESCRIPTION	QTY.	UNIT
1	3 1/8" - 5M FLANGED END GATE VALVE	3	VALVE
2	1 1/16" - 5M FLANGED END GATE VALVE	2	VALVE
3	BLOCK WITH TRANSMITTER FLANGE AND PRESSURE GAUGE	2	BLOCK
4	2 1/16" - 5M ADJUSTABLE CHOKE	2	CHOKE
5	TRANSMITTER FLANGE	2	FLANGE
6	PRESSURE GAUGE	2	GAUGE

PROPRIETARY
THIS DRAWING AND ALL INFORMATION CONTAINED HEREIN ARE THE PROPERTY OF HELMERICH & PAYNE INTERNATIONAL DRILLING CO. AND ARE NOT TO BE REPRODUCED OR TRANSMITTED IN ANY FORM OR BY ANY MEANS, ELECTRONIC OR MECHANICAL, INCLUDING PHOTOCOPYING, RECORDING, OR BY ANY INFORMATION STORAGE AND RETRIEVAL SYSTEM.