

Denny E. Foust
 DEPUTY OIL & GAS INSPECTOR

District I
 P. O. Box 4880 Hobbs, NM
 District II
 P. O. Drawer DD, Artesia, NM 88221
 District III
 1000 Rio Brazos Rd. Aztec, NM 87410

State of New Mexico
 Energy, Minerals and Natural Resources Department

SUBMIT 1 COPY TO
 APPROPRIATE
 DISTRICT OFFICE
 AND 1 COPY TO
 SANTA FE OFFICE

OIL CONSERVATION DIVISION

2040 South Pacheco Street
 Santa Fe, New Mexico 87505

FEB 26 1998

Approved

PIT REMEDIATION AND CLOSURE REPORT

Operator: PNM Gas Services (Caulkins)		Telephone: 324-3764	
Address: 603 W. Elm Street Farmington, NM 87401			
Facility or Well Name: Breech C #299			
Location:	Unit <u> L </u>	Sec <u> 14 </u>	T <u> 26 N </u> R <u> 6 W </u> County <u> Rio Arriba </u>
Pit Type:	Separator <input type="checkbox"/>	Dehydrator <input type="checkbox"/>	Other <u> Main drip blowdown. </u>
Land Type:	BLM <input checked="" type="checkbox"/>	State <input type="checkbox"/>	Fee <input type="checkbox"/> Other <input type="checkbox"/>

Pit Location:	Pit dimensions:	length <u> 30 </u> ' width <u> 30 </u> ' depth <u> 3 </u> '
(Attach diagram)	Reference:	wellhead <input checked="" type="checkbox"/> other <input type="checkbox"/>
	Footage from reference:	<u> 66' </u>
	Direction from reference:	<u> 50 </u> Degrees <input checked="" type="checkbox"/> East <input type="checkbox"/> North <input type="checkbox"/> of <input type="checkbox"/> West <input checked="" type="checkbox"/> South

Depth to Ground Water: <small>(Vertical distance from contaminants to seasonal high water elevation of ground water)</small>	Less than 50 feet	(20 points)	
	50 feet to 99 feet	(10 points)	
	Greater than 100 feet	(0 points)	<u> 0 </u>

Wellhead Protection Area: <small>(Less than 200 feet from a private domestic water source, or; less than 1,000 feet from all other water sources)</small>	Yes	(20 points)	
	No	(0 points)	<u> 0 </u>

Distance to Surface Water: <small>(Horizontal distance to perennial lakes, ponds, rivers, streams, creeks, irrigation canals and ditches)</small>	Less than 200 feet	(20 points)	
	200 feet to 1,000 feet	(10 points)	
	Greater than 1,000 feet	(0 points)	<u> 0 </u>

RANKING SCORE (TOTAL POINTS): 0

RECEIVED
 NOV - 3 1997
 OIL CON. DIV.
 DIST. 3

Breach C #299

Date Remediation Started: 8/19/97 Date Completed: 8/20/97

Remediation Method: Excavation X Approx. Cubic Yard 377
Landfarmed X Amount Landfarmed (cubic yds) 377
Other _____
(Check all appropriate sections)

Remediation Location: Onsite X Offsite _____
(i.e., landfarmed onsite, name and location of offsite facility)

Backfill Material Location: _____

General Description of Remedial Action:

Excavated contaminated soil to pit size of 30' X 20' X 17' and landfarmed soil onsite within a bermed area at a depth of 6" to 12". Soil was aerated by plowing until soil met regulatory levels.

Ground Water Encountered: No Yes Depth _____

Final Pit Closure Sampling:

Sample Location 5 pt composite-4 side walls and center of pit bottom

(if multiple samples, attach sample result and diagram of sample locations and depths.)

Sample depth 17'

Sample date 8/20/97 Sample time 8:40:00 AM

Sample Results

Benzene (ppm) < 0.0050

Total BTEX (ppm) 0.0880

Field headspace (ppm) _____

TPH (ppm) < 5.00 Method 8015A

Vertical Extent (ft) _____ Risk Assessment form attached Yes No

Ground Water Sample: Yes No (If yes, see attached Groundwater Site Summary Report)

I HEREBY CERTIFY THAT THE INFORMATION ABOVE IS TRUE AND COMPLETE TO THE BEST OF MY KNOWLEDGE AND MY BELIEF

DATE October 27, 1997

SIGNATURE

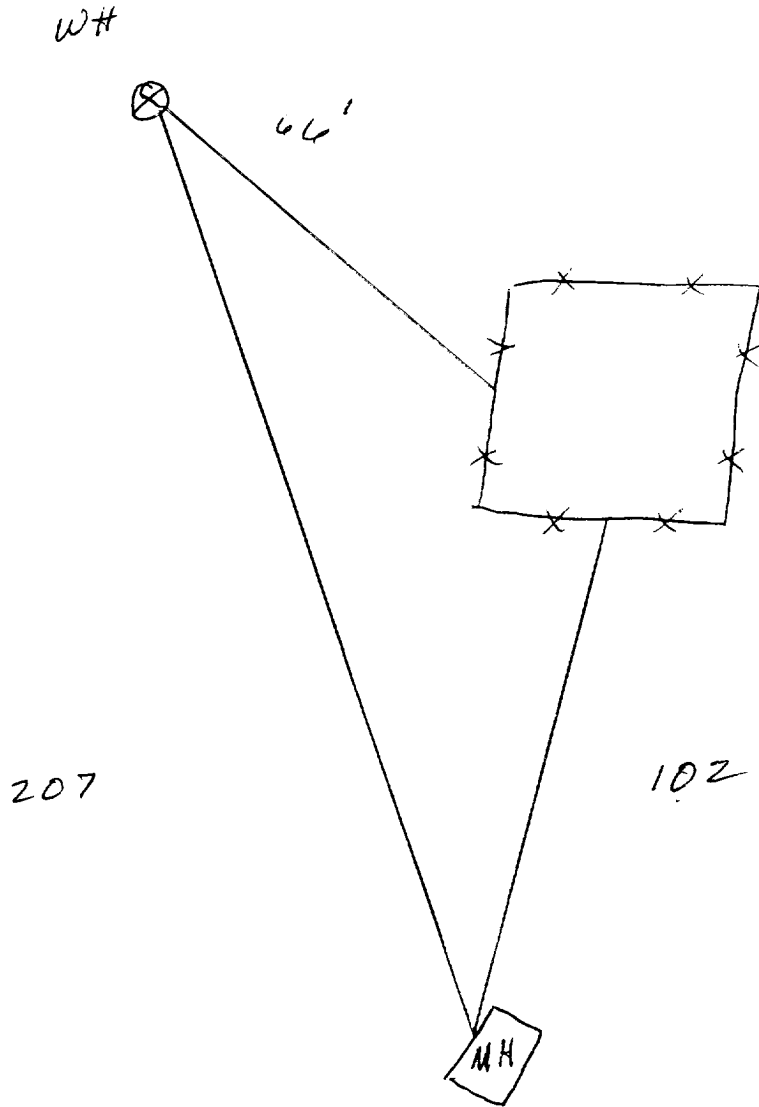
PRINTED NAME AND TITLE

**Denver Bearden
Administrator III**

~~1~~
Breach C # 249
Caulkins

14-260-6W(L)
66' from WH
50° E of S

↑
N



OFF: (505) 325-5667



LAB: (505) 325-1556

ANALYTICAL REPORT

Attn: *Denver Bearden*
 Company: *PNM Gas Services*
 Address: *603 W. Elm*
 City, State: *Farmington, NM 87401*

Date: *22-Aug-97*
 COC No.: *5207*
 Sample No.: *15846*
 Job No.: *2-1000*

Project Name: *PNM Gas Services - Breech C #299*
 Project Location: *9708200940; Pit Excavation Composite Sample*
 Sampled by: *RH* Date: *20-Aug-97* Time: *9:40*
 Analyzed by: *HR/DC* Date: *21-Aug-97*
 Sample Matrix: *Soil*

Laboratory Analysis

Parameter	Results as Received	Unit of Measure	Limit of Quantitation	Unit of Measure
<i>Diesel Range Organics (C10 - C28)</i>	ND	mg/kg	5	mg/kg

ND - Not Detected at Limit of Quantitation

Quality Assurance Report

DRO QC No.: 0548-STD

Continuing Calibration Verification

Parameter	Method Blank	Unit of Measure	True Value	Analyzed Value	RPD	RPD Limit
<i>Diesel Range (C10 - C28)</i>	ND	ppm	200	201	0.6	15%

Matrix Spike

Parameter	1- Percent Recovered	2 - Percent Recovered	Limit	RPD	RPD Limit
<i>Diesel Range (C10-C28)</i>	85	89	(70-130)	4	20%

Method - *SW-846 EPA Method 8015A mod. - Nonhalogenated Volatile Hydrocarbons by Gas Chromatography*

Approved by: *[Signature]*
 Date: *8/22/97*

OFF: (505) 325-5667



LAB: (505) 325-1556

ANALYTICAL REPORT

Attn: *Denver Bearden*
 Company: *PNM Gas Services*
 Address: *603 W. Elm*
 City, State: *Farmington, NM 87401*

Date: *22-Aug-97*
 COC No.: *5207*
 Sample No.: *15846*
 Job No.: *2-1000*

Project Name: ***PNM Gas Services - Breech C #299***
 Project Location: ***9708200940; Pit Excavation Composite Sample***
 Sampled by: *RH* Date: *20-Aug-97* Time: *9:40*
 Analyzed by: *DC* Date: *21-Aug-97*
 Sample Matrix: *Soil*

Laboratory Analysis

Parameter	Results as Received	Unit of Measure	Limit of Quantitation	Unit of Measure
<i>Benzene</i>	ND	ug/kg	5	ug/kg
<i>Toluene</i>	15	ug/kg	5	ug/kg
<i>Ethylbenzene</i>	6	ug/kg	5	ug/kg
<i>m,p-Xylene</i>	51	ug/kg	5	ug/kg
<i>o-Xylene</i>	15	ug/kg	5	ug/kg
	<i>TOTAL</i>	88		ug/kg

ND - Not Detected at Limit of Quantitation

Method - SW-846 EPA Method 8020A Aromatic Volatile Organics by Gas Chromatography

Approved by: *[Signature]*
 Date: *8/22/97*

P.O. BOX 2606 • FARMINGTON, NM 87499

- TECHNOLOGY BLENDING INDUSTRY WITH THE ENVIRONMENT -

11
N

9-8-97 @ 1000

Breed C # 299

Caulkins

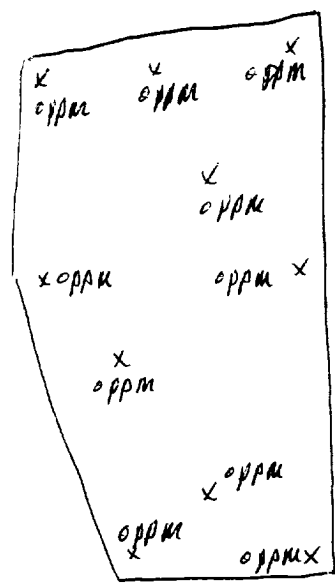
(L) 14-26N-6W

Rio Arriba

Sample # 9705081000

Land farm field head space - 3.2 ppm

2'-12"



⊗ WH

MH

OFF: (505) 325-5667



LAB: (505) 325-1556

ANALYTICAL REPORT

Attn: *Denver Bearden*
 Company: *PNM Gas Services*
 Address: *603 W. Elm*
 City, State: *Farmington, NM 87401*

Date: *15-Sep-97*
 COC No.: *5667*
 Sample No.: *16095*
 Job No.: *2-1000*

Project Name: ***PNM Gas Services - Breech C #299 Landfarm***
 Project Location: ***9709081000; Composite***
 Sampled by: *RH* Date: *8-Sep-97* Time: *10:00*
 Analyzed by: *DC/HR* Date: *10-Sep-97*
 Sample Matrix: *Soil*

Laboratory Analysis

Parameter	Results as Received	Unit of Measure	Limit of Quantitation	Unit of Measure
<i>Diesel Range Organics (C10 - C28)</i>	<i>15</i>	<i>mg/kg</i>	<i>5</i>	<i>mg/kg</i>

ND - Not Detected at Limit of Quantitation

Quality Assurance Report

DRO QC No.: 0555-STD

Continuing Calibration Verification

Parameter	Method Blank	Unit of Measure	True Value	Analyzed Value	RPD	RPD Limit
<i>Diesel Range (C10 - C28)</i>	<i>ND</i>	<i>ppm</i>	<i>200</i>	<i>189</i>	<i>5.7</i>	<i>15%</i>

Matrix Spike

Parameter	1- Percent Recovered	2 - Percent Recovered	Limit	RPD	RPD Limit
<i>Diesel Range (C10-C28)</i>	<i>87</i>	<i>92</i>	<i>(70-130)</i>	<i>5</i>	<i>20%</i>

Method - *SW-846 EPA Method 8015A mod. - Nonhalogenated Volatile Hydrocarbons by Gas Chromatography*

Approved by: *[Signature]*
 Date: *9/15/97*

P.O. BOX 2606 • FARMINGTON, NM 87499

- TECHNOLOGY BLENDING INDUSTRY WITH THE ENVIRONMENT -