

*EPN* Location Pit Closure Record 74

Well Name: NASSAU # 1 MTR#: 87-213

Oper #: 5954 Oper: Jerome P. McHugh District: Ballard

Co-ordinate Information: Unit: A Section: 36 Township: 27 Range: 12

\* Pit Type (circle one): DEH LOD LID SEP

Length: 15' Width: 15' SQFT 225

Duck Netting: Yes  No

Fill Dirt: Yes  No

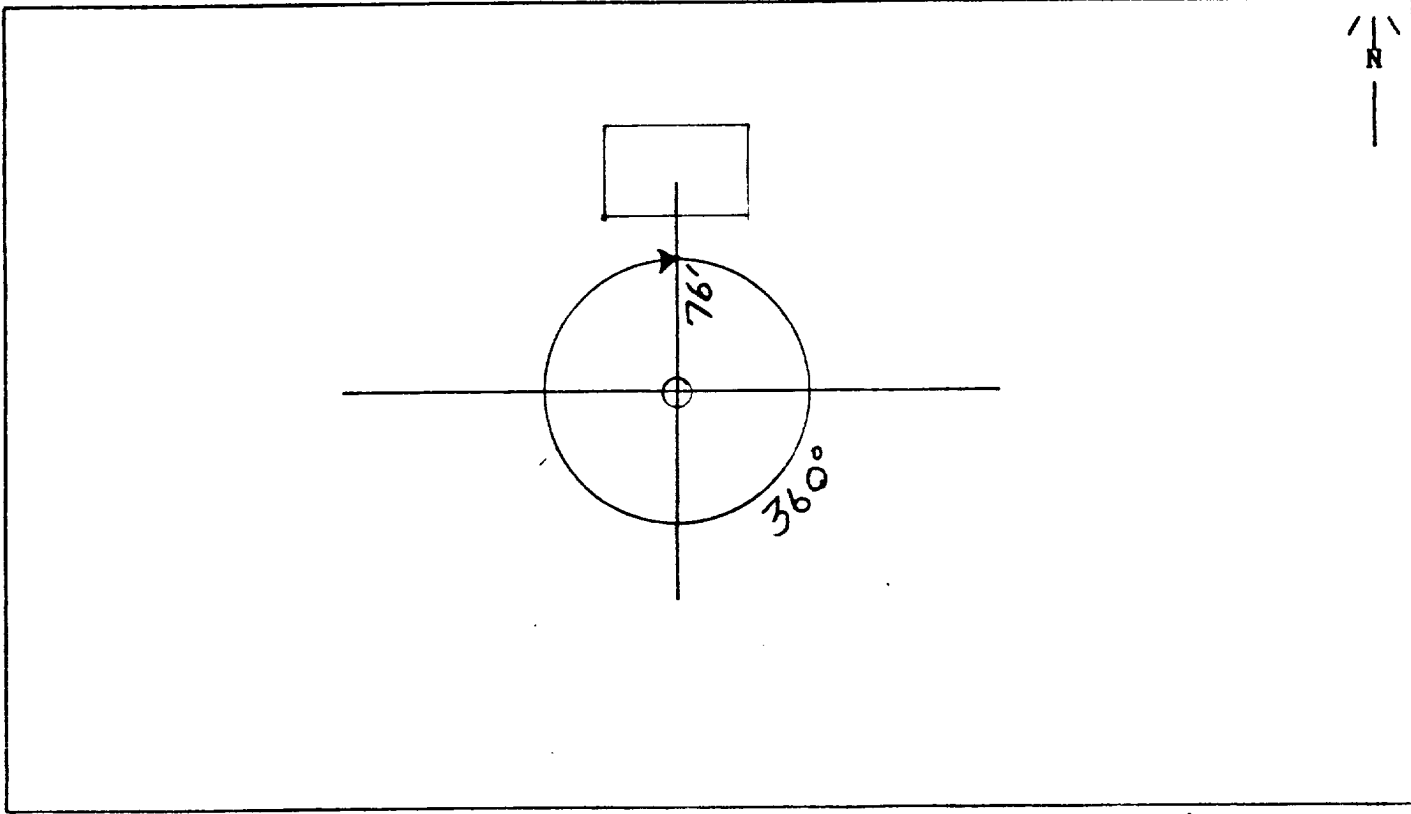
Date Started: 01/25/92

Date Completed: 01/25/92

Approx. cu.yds.:

Vacuum Truck: Yes  No

Approx. Bbls:



*Evans Tuley*  
Signature of Inspector

Remarks: \_\_\_\_\_

• DEH=Dehydrator Pit      LID=Line Drip(Syphon)  
• LOD=Location Drip      SEP=Seperator