

EPNG

Location Pit Closure Record

71

Well Name: NASSAU #5R FRT.

MTR#: 89-678

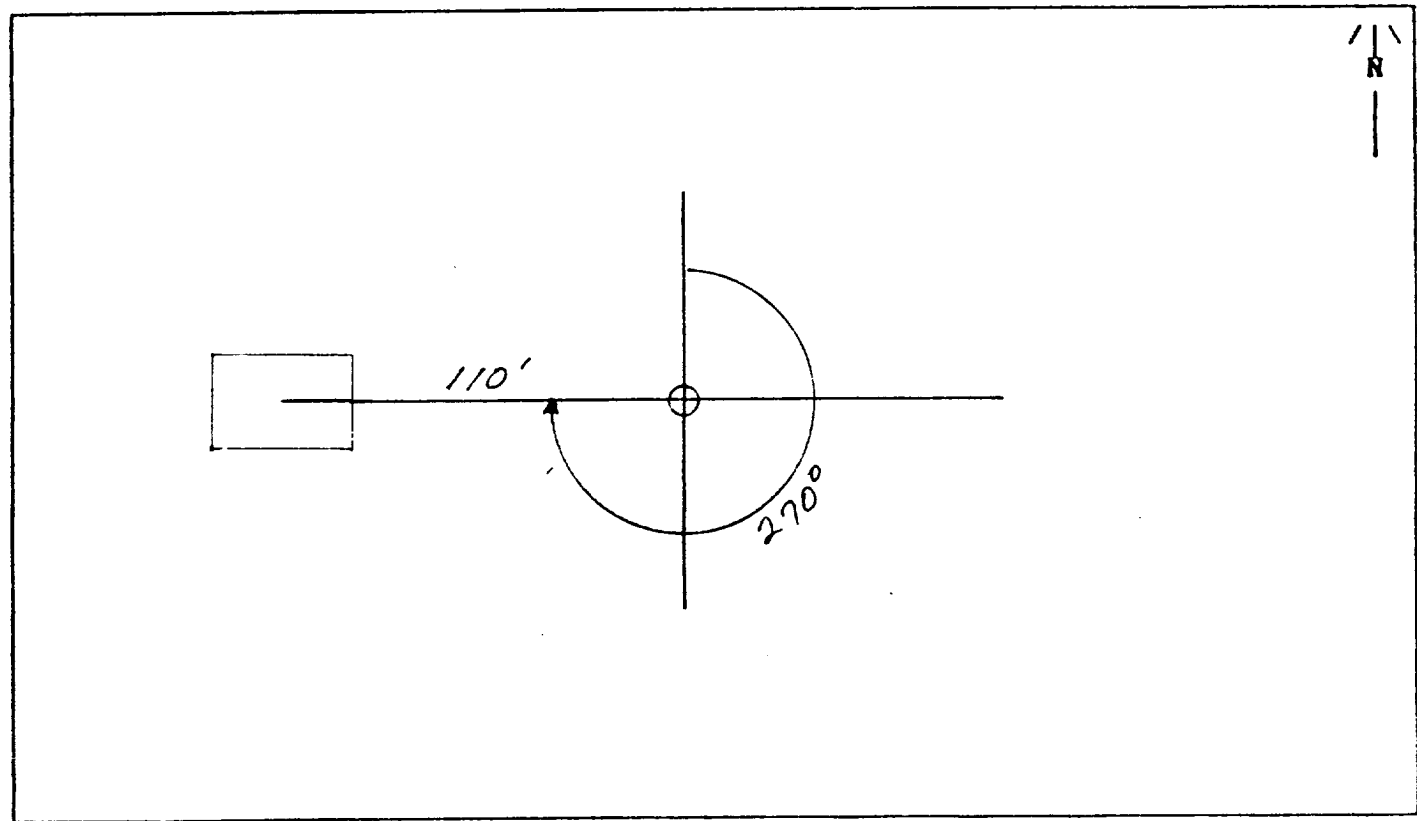
Oper #: 5954 Oper: JEROME P. McHugh District: Ballard

Co-ordinate Information:
Unit: 5 1/2
Section: 36
Township: 27
Range: 12

* Pit Type (circle one): DEH LID
LOD SEP
Length: 13'
Width: 13' SQFT 169
Duck Netting: Yes No
Fill Dirt: Yes No
Approx. cu.yds.:
Vacuum Truck: Yes No
Approx. Bbls:

Date Started: 01/25/92

Date Completed: 01/25/92



Eugene Tuley
Signature of Inspector

Remarks: _____

* DEH=Dehydrator Pit LID=Line Drip(Syphon)
LOD=Location Drip SEP=Seperator