

EPNG

202 M8

Location Pit Closure Report / Record

Well Name: Ludwick #12 ✓ MTR#: 71500

Well Oper.: Amoco Production Co. P/L District: Kutz  
~~Kenworth Co.~~

0203

Co-ordinate Information:  
Unit: N  
Section: 19  
Township: 30  
Range: 10

Pit Type: Location Drip  
Length: 18'  
Width: 18' <sup>324</sup>

Duck Netting: Yes  No   
Fill Dirt: Yes  No

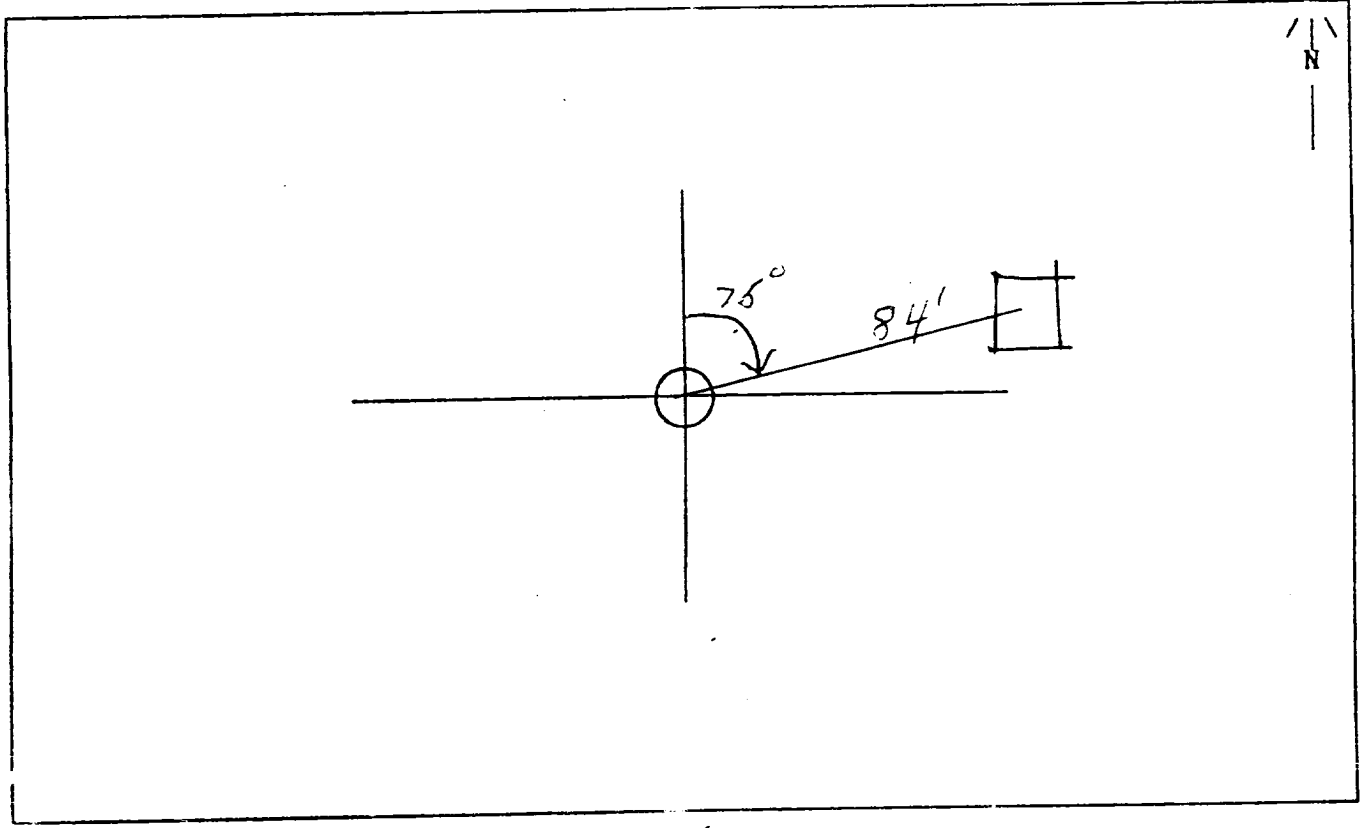
Date Started: 4-20-92

Approx. cu.yds.:

Date Completed: 4-20-92

Vacuum Truck: Yes  No

Approx. Bbls:



Berzkyer  
Signature of Inspector

Remarks: \_\_\_\_\_  
\_\_\_\_\_  
\_\_\_\_\_