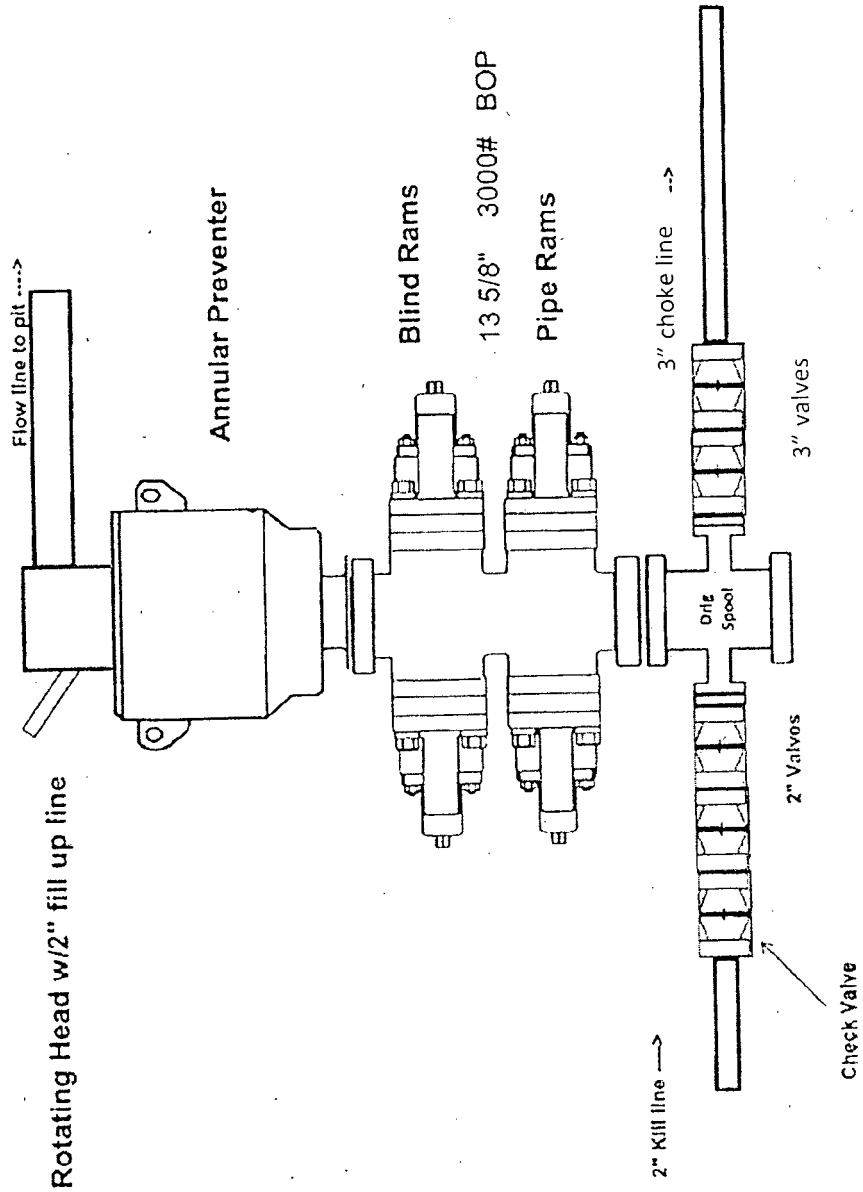


COPY

BTA Oil Producers, LLC
Mesa 8105 JV-P #9H
Sec. 12, T26S-R32E
Lea County, NM

3,000 psi BOP Schematic



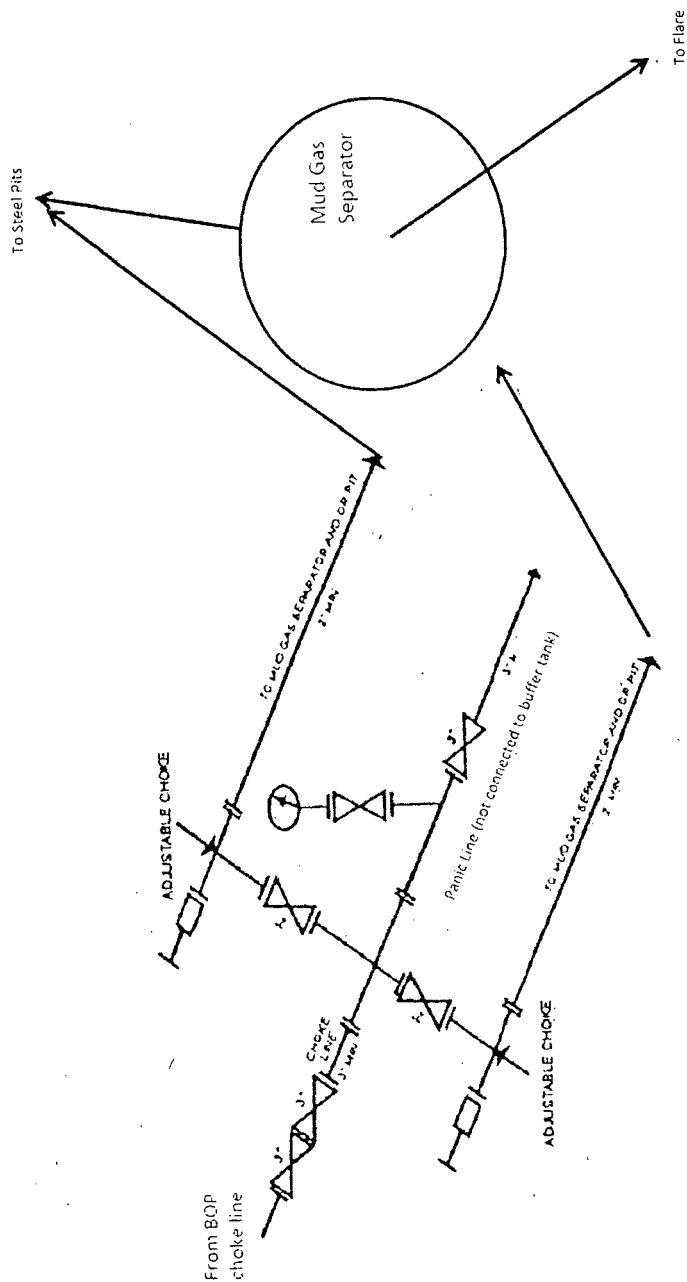
HOBBS OCD
FEB 01 2016
RECEIVED

Exhibit A

FEB 19 2016

BTA Oil Producers, LLC
Mesa 8105 JV-P #9H
Sec. 12, T26S-R32E
Lea County, NM

COPY



3M choke manifold design

Exhibit A1