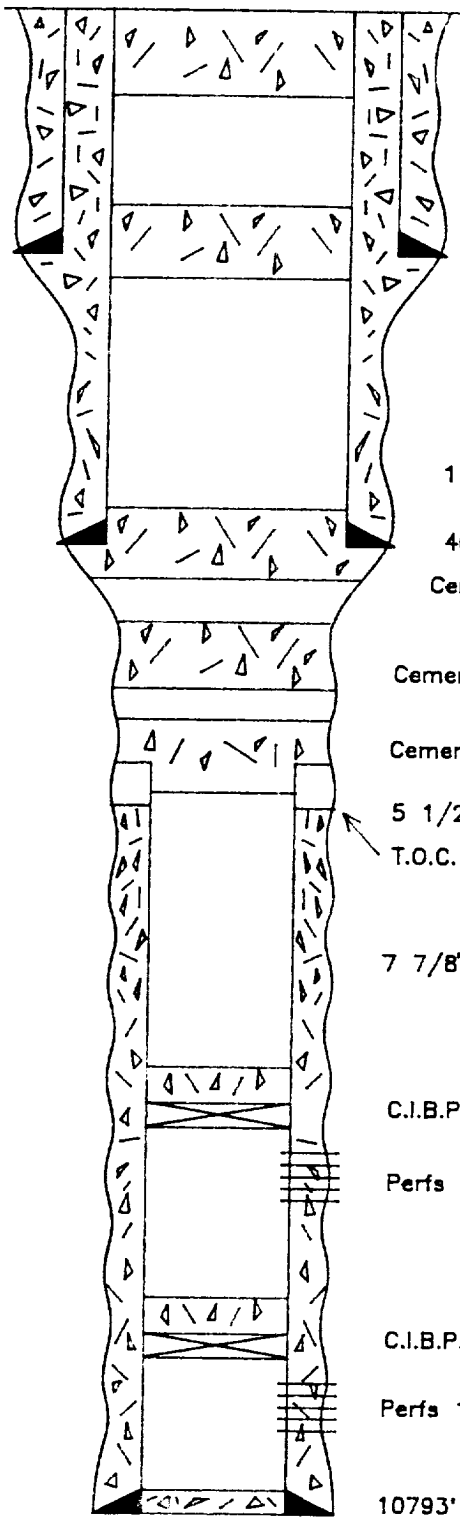


Elev. 3844' G.L.

Yates Petroleum Corp.
Plugged and Abandoned
5/87



10 sxs Surface Plug

17 1/2" Hole Size

500' - 13 3/8" csg. Cemented w/550 sxs Circulated.
Cement Plug 450' - 550'

11" Hole Size

4037' - 8 5/8" csg. Cemented w/1850 sxs Circulated.
Cement Plug 3988' - 4088'

Cement Plug 5200' - 5300'

Cement Plug 6905' - 7005'

5 1/2" csg. Cut and Pulled at 6955'
T.O.C. ● 7115' (Cement Bond Log)

7 7/8" Hole Size

C.I.B.P. ● 8900' w/35' Cement

Perfs 8978' - 8999' (Bone Springs)

C.I.B.P. ● 10375' w/35' Cement

Perfs 10465' - 10650' (Wolfcamp)

10793' - 5 1/2" csg. Cemented w/820 sxs

T.D. ● 10793'

Vacuum State No. 3

660' FNL & 1980' FWL Un. C

Sec. 10, T-19S, R-35E