

DISTRIBUTION		
SANTA FE		
FILE		
U.S.G.S.		
LAND OFFICE		
OPERATOR		

NEW MEXICO OIL CONSERVATION COMMISSION

Form C-103  
Supersedes Old  
C-102 and C-103  
Effective 1-1-65

5a. Indicate Type of Lease  
State  Fee   
5. State Oil & Gas Lease No.

SUNDRY NOTICES AND REPORTS ON WELLS

(DO NOT USE THIS FORM FOR PROPOSALS TO DRILL OR TO DEEPEN OR PLUG BACK TO A DIFFERENT RESERVOIR. USE "APPLICATION FOR PERMIT - 1" (FORM C-101) FOR SUCH PROPOSALS.)

1.  OIL WELL  GAS WELL  OTHER

2. Name of Operator: CENOCO INC.

3. Address of Operator: P.O. Box 460, HOBBS, N.M. 88240

4. Location of Well  
UNIT LETTER V FEET FROM THE \_\_\_\_\_ LINE AND \_\_\_\_\_ FEET FROM  
THE \_\_\_\_\_ LINE, SECTION 1 TOWNSHIP 21S RANGE 36E N.M.P.M.

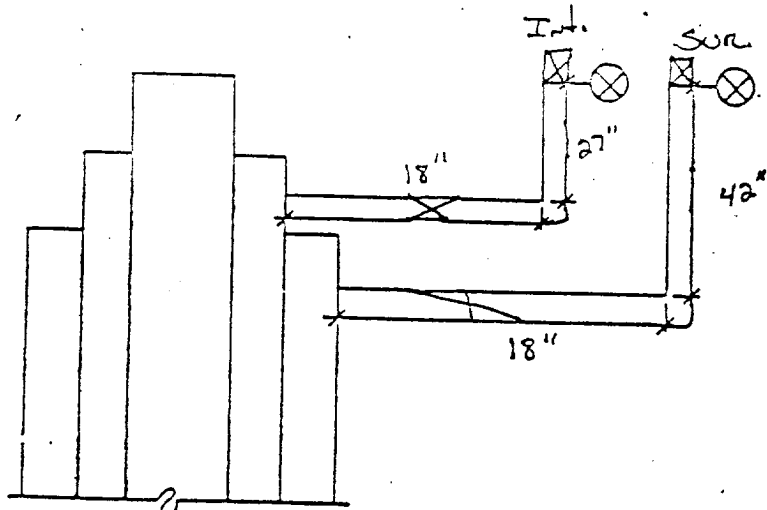
7. Unit Agreement Name  
8. Farm or Lease Name: State F-1  
9. Well No.: #10  
10. Field and Pool, or Willcat: Hardy Drinkard

15. Elevation (Show whether DF, RT, GR, etc.)  
12. County: LEA

Check Appropriate Box To Indicate Nature of Notice, Report or Other Data  
NOTICE OF INTENTION TO: SUBSEQUENT REPORT OF:

PERFORM REMEDIAL WORK  PLUG AND ABANDON  REMEDIAL WORK  ALTERING CASING   
 TEMPORARILY ABANDON  CHANGE PLANS  COMMENCE DRILLING OPER.  PLUG AND ABANDONMENT   
 PULL OR ALTER CASING  OTHER  CASING TEST AND CEMENT JOB   
 OTHER: csq. leak survey

17. Describe Proposed or Completed Operations (Clearly state all pertinent details, and give pertinent dates, including estimated date of starting any proposed work) SEE RULE 1705.



Both on north side of wellhead.

Csq. leak survey performed on subject well. w/ valves being dug up & tagged at surface. Survey witnessed by Tom [unclear]

18. I hereby certify that the information above is true and complete to the best of my knowledge and belief.

SIGNED: David L. [unclear] TITLE: ADMINISTRATIVE SUPERVISOR DATE: JUN 18 1984

[Signature] OIL & GAS INSPECTOR III 16 1984

DISTRIBUTION		
SANTA FE		
FILE		
U.S.G.S.		
LAND OFFICE		
OPERATOR		

NEW MEXICO OIL CONSERVATION COMMISSION

Form C-103  
Supersedes Old  
C-102 and C-103  
Effective 11-85

5a. Indicate Type of Lease  
State  Fee   
5. State Oil & Gas Lease No.

SUNDRY NOTICES AND REPORTS ON WELLS

(DO NOT USE THIS FORM FOR PROPOSALS TO DRILL OR TO DEEPEN OR PLUG BACK TO A DIFFERENT RESERVOIR. USE "APPLICATION FOR PERMIT" (FORM C-101) FOR SUCH PROPOSALS.)

1. OIL WELL  GAS WELL  OTHER   
2. Name of Operator: CONOCO INC.  
3. Address of Operator: P.O. Box 460, HOBBS, N.M. 88240  
4. Location of well  
UNIT LETTER V FEET FROM THE \_\_\_\_\_ LINE AND \_\_\_\_\_ FEET FROM  
THE \_\_\_\_\_ LINE, SECTION 1 TOWNSHIP 21S RANGE 36E N.M.P.M.  
15. Elevation (Show whether DF, RT, GR, etc.)  
16. Check Appropriate Box To Indicate Nature of Notice, Report or Other Data

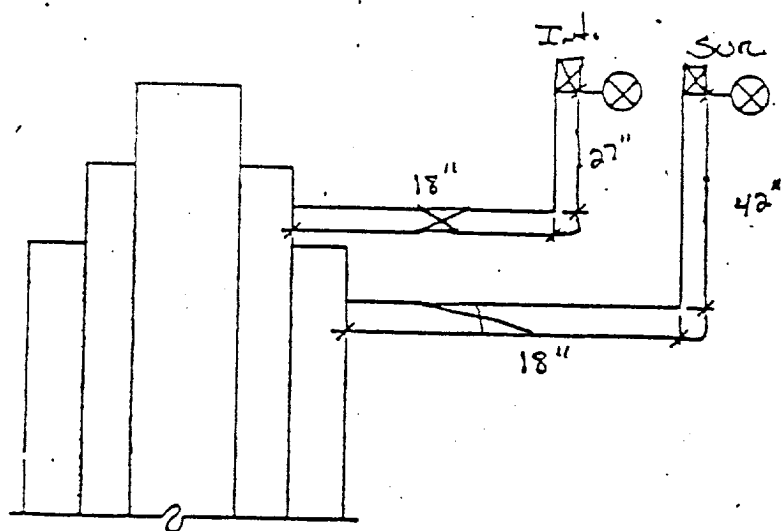
7. Unit Agreement Name  
8. Form of Lease Name  
State F-1  
9. Well No.  
#10  
10. Field and Pool, or Willing  
Hardy Tubbs  
12. County  
LEA

NOTICE OF INTENTION TO:

SUBSEQUENT REPORT OF:

PERFORM REMEDIAL WORK  TEMPORARILY ABANDON  FULL OR ALTER CABINE  OTHER \_\_\_\_\_  
PLUG AND ABANDON  CHANGE PLANS  OTHER \_\_\_\_\_  
REMEDIAL WORK  COMMENCE DRILLING OPER.  CABINE TEST AND CEMENT JOB  OTHER csy. leak survey  
ALTERING CABINE  PLUG AND ABANDONMENT

17. Describe Proposed or Completed Operations (Clearly state all pertinent details, and give pertinent dates, including estimated date of starting any proposed work) SEE RULE 17DS.



Both on north side of wellhead.

Csy. leak survey performed on subject well. w/ valves being dug up & tagged at surface. Survey witnessed by Ron Castleberry

I hereby certify that the information above is true and complete to the best of my knowledge and belief.  
David L. Luff TITLE ADMINISTRATIVE SUPERVISOR DATE JUN 18 1984

Ronald P. ...

OIL & GAS INSPECTOR

JUL 16 1984