

Submit 3 Copies To Appropriate District Office
 District I
 1625 N. French Dr., Hobbs, NM 87240
 District II
 811 South First, Artesia, NM 87210
 District III
 1000 Rio Brazos Rd., Aztec, NM 87410
 District IV
 2040 South Pacheco, Santa Fe, NM 87505

State of New Mexico
 Energy, Minerals and Natural Resources

Form C-103
 Revised March 25, 1999

OIL CONSERVATION DIVISION
 2040 South Pacheco
 Santa Fe, NM 87505

WELL API NO. 30-025-21810
5. Indicate Type of Lease STATE <input type="checkbox"/> FEE <input checked="" type="checkbox"/>
6. State Oil & Gas Lease No. LC-058626-A
7. Lease Name or Unit Agreement Name: LANGLIE-MATTIX PENROSE SAND UNIT TRACT 21
8. Well No. 2-8
9. Pool name or Wildcat LANGLIE-MATTIX SR ON GRBG

SUNDRY NOTICES AND REPORTS ON WELLS
 (DO NOT USE THIS FORM FOR PROPOSALS TO DRILL OR TO DEEPEN OR PLUG BACK TO A DIFFERENT RESERVOIR. USE "APPLICATION FOR PERMIT" (FORM C-101) FOR SUCH PROPOSALS.)

1. Type of Well: Oil Well <input checked="" type="checkbox"/> Gas Well <input type="checkbox"/> Other	2. Name of Operator Anadarko Petroleum Corp.
3. Address of Operator P.O. Box 2497 Midland, TX 79702	4. Well Location Unit Letter <u>C</u> : <u>810</u> feet from the <u>NORTH</u> line and <u>1980</u> feet from the <u>WEST</u> line Section <u>34</u> Township <u>22S</u> Range <u>37E</u> NMPM County <u>LEA</u>
10. Elevation (Show whether DR, RKB, RT, GR, etc.) 3319' GR	

11. Check Appropriate Box to Indicate Nature of Notice, Report, or Other Data

NOTICE OF INTENTION TO:		SUBSEQUENT REPORT OF:	
PERFORM REMEDIAL WORK <input type="checkbox"/>	PLUG AND ABANDON <input checked="" type="checkbox"/>	REMEDIAL WORK <input type="checkbox"/>	ALTERING CASING <input type="checkbox"/>
TEMPORARILY ABANDON <input type="checkbox"/>	CHANGE PLANS <input type="checkbox"/>	COMMENCE DRILLING OPNS. <input type="checkbox"/>	PLUG AND ABANDONMENT <input type="checkbox"/>
PULL OR ALTER CASING <input type="checkbox"/>	MULTIPLE COMPLETION <input type="checkbox"/>	CASING TEST AND CEMENT JOB <input type="checkbox"/>	
OTHER: <input type="checkbox"/>		OTHER: <input type="checkbox"/>	

12. Describe Proposed or Completed Operations (Clearly state all pertinent details, and give pertinent dates, including estimated date of starting any proposed work). SEE RULE 1103. For Multiple Completions: Attach wellbore diagram of proposed completion or recompletion.

- MIRUPU. KILL WELL. NDWH. NU & TEST BOPE. PU 2-7/8" WS.
- RIH W/WS TO 3680'. CIRC HOLE W/MUD.
- SET CIBP @ 3550'. SPOT 25 SX CL C ON PLUG. TAG PLUG
- PUH TO 2525'. PUMP 25 SX CL C PLUG. (BASE OF SALT).
- PUH TO 1610'. PUMP 25 SX CL C PLUG. (TOP OF SALT).
- PERFORATE CSG @ 350'. ESTABLISH CIRC. PUMP 150 SX CL C AND CIRC TO SURFACE. TAG PLUG.
- PUMP 10 SX SURFACE PLUG. CUT OFF CSG HEAD AND INSTALL P&A MARKER.

THIS WELL IS BEING PLUGGED AND ABANDONED IN ACCORDANCE WITH THE REQUIREMENTS OF MULTIPLE COMPLETION OPERATIONS FOR THE C-103 TO BE APPROVED

I hereby certify that the information above is true and complete to the best of my knowledge and belief.

SIGNATURE Sabra Woody TITLE ENGR TECH III DATE 01/25/01

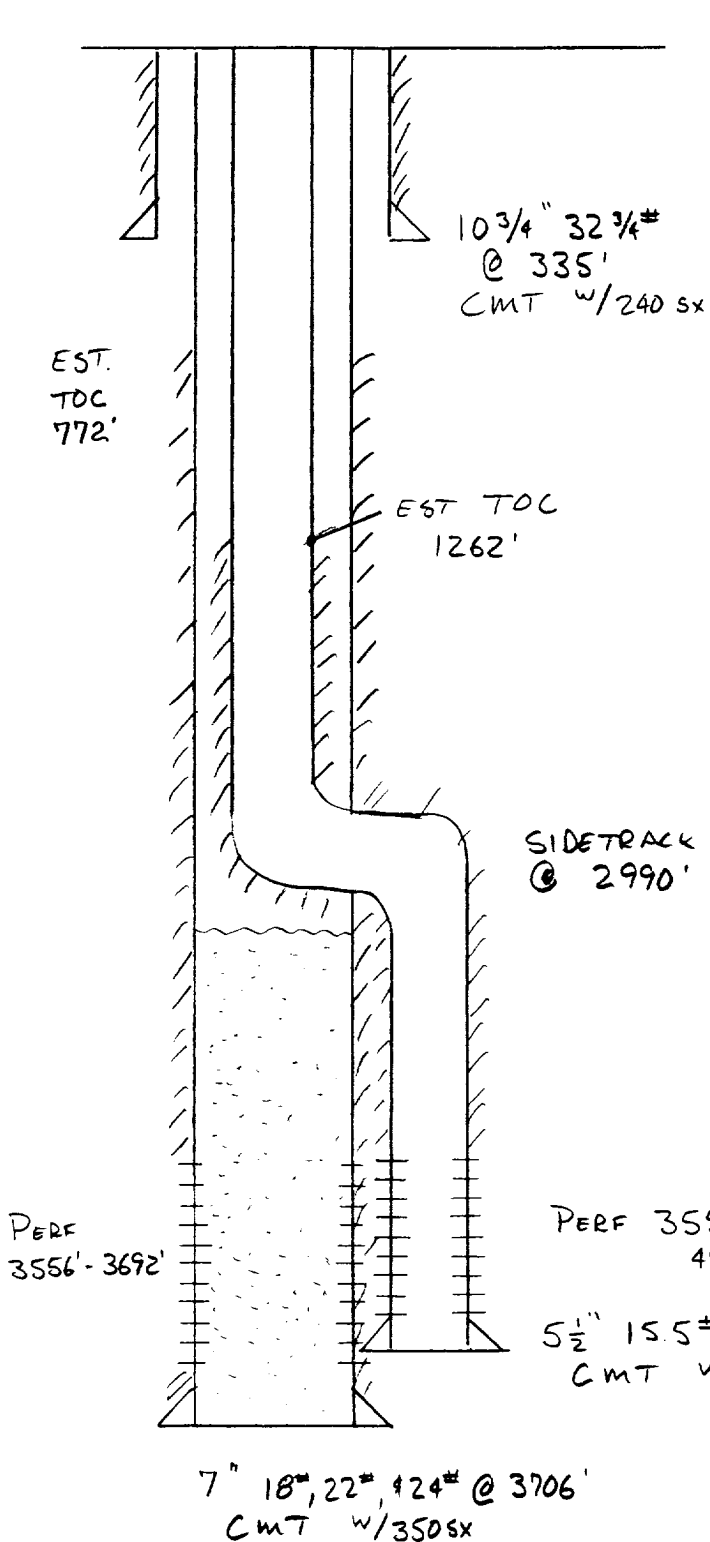
Type or print name SABRA WOODY Telephone No. 915/683-0534

(This space for State use)

APPROVED BY _____ TITLE _____ DATE _____
 Conditions of approval, if any:

Handwritten initials: JC and dp

Subject	LMPSU 21-8	Page No.	Of
File		By	BCE
		Date	1/01



7/66 SPUD & COMPLETE

6/73 COLLAPSED CSG. ABANDON 7" CSG 2990' TO 3706' WITH 800 SX CMT. SIDETRACK 6 1/4" HOLE AND RUN 5 1/2" 15.50# CSG TO 3687'. PERF 3550-3680.

1/90 SWAGE TIGHT SPOT AT 3008'-3012'.

10/98 S.I. DUE TO HIGH WATER PRODUCTION.

SIDETRACK @ 2990'

PERF 3555'-3680'
45 HOLES

5 1/2" 15.5# @ 3687'
CMT w/100 SX

7" 18#, 22#, 24# @ 3706'
CMT w/350 SX