

SOUTHWEST ROYALTIES

PROJECT _____

EAVES A # 11

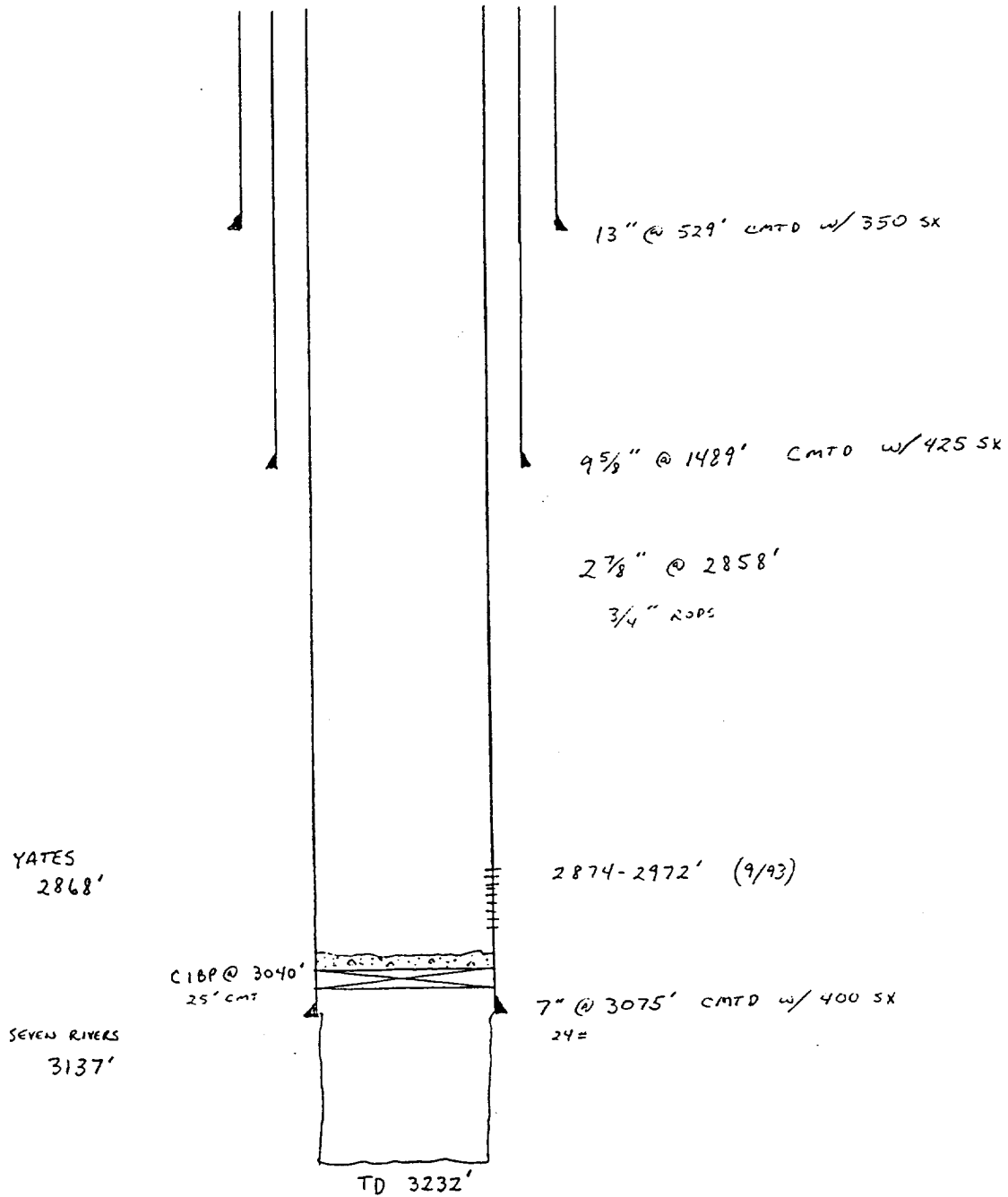
PAGE _____

OF _____

BY _____

DATE _____

SPUD: 10/36



JJB

5/22/17

RECEIVED
MAR 03 99
NEW YORK, NY