

Submit 1 Copy To Appropriate District Office  
District I - (575) 393-6161  
1625 N. French Dr., Hobbs, NM 88240  
District II - (575) 748-1283  
811 S. First St., Artesia, NM 88210  
District III - (505) 334-6178  
1000 Rio Brazos Rd., Aztec, NM 87410  
District IV - (505) 476-3460  
1220 S. St. Francis Dr., Santa Fe, NM 87505

State of New Mexico  
Energy, Minerals and Natural Resources

Form C-103  
Revised July 18, 2013

OIL CONSERVATION DIVISION  
1220 South St. Francis Dr.  
Santa Fe, NM 87505

SUNDRY NOTICES AND REPORTS ON WELLS (DO NOT USE THIS FORM FOR PROPOSALS TO DRILL OR TO DEEPEN OR PLUG BACK TO A DIFFERENT RESERVOIR. USE "APPLICATION FOR PERMIT" (FORM C-101) FOR SUCH PROPOSALS.) 1. Type of Well: Oil Well <input checked="" type="checkbox"/> Gas Well <input type="checkbox"/> Other <input type="checkbox"/>		WELL API NO. <b>30-015-28065</b>
2. Name of Operator <b>Endeavor Energy Resources, LP</b>		5. Indicate Type of Lease STATE <input type="checkbox"/> FEE <input checked="" type="checkbox"/>
3. Address of Operator <b>110 North Marienfeld, Suite 200, Midland, TX 79701</b>		6. State Oil & Gas Lease No.
4. Well Location Unit Letter <u>L</u> : <u>1980</u> feet from the <u>S</u> line and <u>990</u> feet from the <u>W</u> line Section <u>36</u> Township <u>24S</u> Range <u>28E</u> NMPM County <u>Eddy</u>		7. Lease Name or Unit Agreement Name <b>Tirano CNG State</b>
11. Elevation (Show whether DR, RKB, RT, GR, etc.) <b>2947.8' GL</b>		8. Well Number <b>#3</b>
12. Check Appropriate Box to Indicate Nature of Notice, Report or Other Data		9. OGRID Number <b>190595</b>
NOTICE OF INTENTION TO: PERFORM REMEDIAL WORK <input type="checkbox"/> PLUG AND ABANDON <input type="checkbox"/> TEMPORARILY ABANDON <input type="checkbox"/> CHANGE PLANS <input type="checkbox"/> PULL OR ALTER CASING <input type="checkbox"/> MULTIPLE COMPL <input type="checkbox"/> DOWNHOLE COMMINGLE <input type="checkbox"/> CLOSED-LOOP SYSTEM <input type="checkbox"/> OTHER: <input type="checkbox"/>		SUBSEQUENT REPORT OF: REMEDIAL WORK <input type="checkbox"/> ALTERING CASING <input type="checkbox"/> COMMENCE DRILLING OPNS. <input type="checkbox"/> <b>P AND A</b> <input checked="" type="checkbox"/> CASING/CEMENT JOB <input type="checkbox"/> PNR <input type="checkbox"/> OTHER: <input type="checkbox"/>
13. Describe proposed or completed operations. (Clearly state all pertinent details, and give pertinent dates, including estimated date of starting any proposed work). SEE RULE 19.15.7.14 NMAC. For Multiple Completions: Attach wellbore diagram of proposed completion or recompletion.		

12/04/23 MIRU plugging equipment. Dug out cellar. POH w/ rods & pump. 12/05/23 Pumped Brine H2O down tbg & csg. ND well head, NU BOP. POH w/ 2 7/8" tbg & anchor. RIH & tagged @ 5003'. Set 5 1/2" CIBP @ 4562' per David Alvarado's with the NM OCDs request. Circ'd well w/ MLF. Pressured up on tbg. POH w/ tbg. 12/07/23 Spotted 25 sx class C cmt w/ 2% CACL @ 4562-4309'. WOC & tagged @ 4308'. Spotted 25 sx class C cmt @ 2500-2247'. 12/08/23 Spotted 25 sx class C cmt w/ 2% CACL @ 900-647'. WOC & tagged @ 659'. Perf's @ 600'. Sqz'd 50 sx class C cmt @ 600-500'. WOC. 12/11/23 Tagged plug @ 450'. ND BOP, NU wellhead. Perf'd @ 200'. Sqz'd 95 sx class C cmt @ 200' & circulated to surface. Rigged down & moved off. 12/15/23 Moved in backhoe and welder. Cut off well head & anchors. David Alvarado w/ BLM verified cmt @ surface via picture text message. Welded on "Above Ground Dry Hole Marker". Installed 2' concrete form with 6 sx cmt. Backfilled cellar, cut off deadmen, cleaned location, and moved off.

Spud Date:  Rig Release Date:

I hereby certify that the information above is true and complete to the best of my knowledge and belief.

SIGNATURE [Signature] TITLE Senior Regulatory Analyst DATE 12/18/2023

Type or print name Jan South E-mail address: jsouth@eeronline.com PHONE: 432-687-1575

For State Use Only

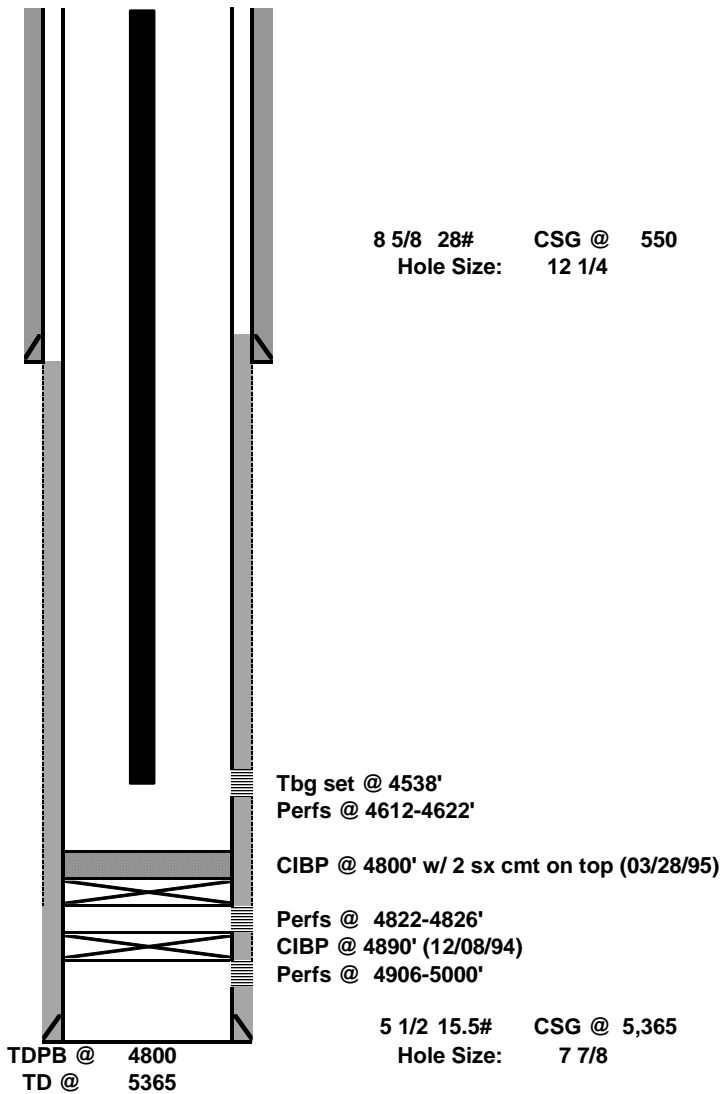
APPROVED BY: [Signature] TITLE Compliance Officer A DATE 12/19/23

Conditions of Approval (if any):

Endeavor Energy		CURRENT	
Author:	<b>Abby @ BCM</b>	Well No.	<b>#3</b>
Well Name	<b>Tirano CNG St</b>	API #:	<b>30-015-28065</b>
Field/Pool	<b>Willow Lake (Del)</b>	Location:	<b>Sec 36, T24S, R28E</b>
County	<b>Eddy</b>	State	<b>NM</b>
Spud Date	<b>8/30/1994</b>	GL:	<b>2947.8</b>

Description	O.D.	Grade	Weight	Depth	Hole	Cmt Sx	TOC
Surface Csg	<b>8 5/8</b>		<b>28#</b>	<b>550</b>	<b>12 1/4</b>	<b>350</b>	<b>0</b>
Prod Csg	<b>5 1/2</b>		<b>15.5#</b>	<b>5,365</b>	<b>7 7/8</b>	<b>1,235</b>	<b>500' TS</b>

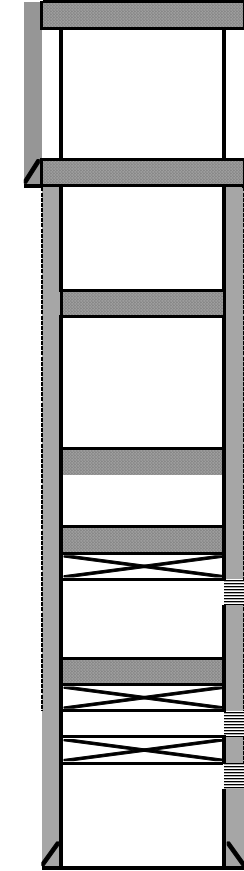
Formation	Top
T Salt	790 +/-
B Salt	2445 +/-
Del	2670



<b>Endeavor Energy</b>		<b>PLUGGED</b>	
Author:	<b>Abby @ BCM</b>	Well No.:	<b>#3</b>
Well Name:	<b>Tirano CNG St</b>	API #:	<b>30-015-28065</b>
Field/Pool:	<b>Willow Lake</b>	Location:	<b>Sec 36, T24S, R28E</b>
County:	<b>(Del)</b>		
State:	<b>Eddy</b>		
Spud Date:	<b>NM</b>		
	<b>8/30/1994</b>	GL:	<b>1980 FSL &amp; 990 FWL</b>
			<b>2947.8</b>

Description	O.D.	Grade	Weight	Depth	Hole	Cmt Sx	TOC
Surface Csg	8 5/8		28#	550	12 1/4	350	0
Prod Csg	5 1/2		15.5#	5,365	7 7/8	1,235	500' TS

Formation	Top
T Salt	790 +/-
B Salt	2445 +/-
Del	2670



5. Perf'd @ 200'. Sqz'd 95 sx class C cmt @ 200' & circulated to surface.

8 5/8 28# CSG @ 550  
Hole Size: 12 1/4

4. Perf's @ 600'. Sqz'd 50 sx class C cmt @ 600-500'. WOC & Tagged plug @ 450'.

3. Spotted 25 sx class C cmt w/ 2% CACL @ 900-647'. WOC & tagged @ 659'.

2. Spotted 25 sx class C cmt @ 2500-2247'.

1. Set 5 1/2" CIBP @ 4562'. Circ'd well w/ MLF. Spotted 25 sx class C cmt w/ 2% CACL @ 4562-4309'.  
WOC & tagged @ 4308'.  
Perfs @ 4612-4622'

CIBP @ 4800' w/ 2 sx cmt on top (03/28/95)

Perfs @ 4822-4826'  
CIBP @ 4890' (12/08/94)  
Perfs @ 4906-5000'

5 1/2 15.5# CSG @ 5,365  
Hole Size: 7 7/8

TDPB @ 4800  
TD @ 5365

**District I**  
 1625 N. French Dr., Hobbs, NM 88240  
 Phone:(575) 393-6161 Fax:(575) 393-0720

**District II**  
 811 S. First St., Artesia, NM 88210  
 Phone:(575) 748-1283 Fax:(575) 748-9720

**District III**  
 1000 Rio Brazos Rd., Aztec, NM 87410  
 Phone:(505) 334-6178 Fax:(505) 334-6170

**District IV**  
 1220 S. St Francis Dr., Santa Fe, NM 87505  
 Phone:(505) 476-3470 Fax:(505) 476-3462

**State of New Mexico**  
**Energy, Minerals and Natural Resources**  
**Oil Conservation Division**  
**1220 S. St Francis Dr.**  
**Santa Fe, NM 87505**

CONDITIONS  
 Action 295892

**CONDITIONS**

Operator: ENDEAVOR ENERGY RESOURCES, LP 110 North Marienfeld Midland, TX 79701	OGRID: 190595
	Action Number: 295892
	Action Type: [C-103] Sub. Plugging (C-103P)

**CONDITIONS**

Created By	Condition	Condition Date
kfortner	Need C103Q and marker photo to release	12/20/2023