

Well Name	Well Number	US Well Number	Lease Number	Case Number	Operator
KYLE FEDERAL	6H	3001553615	NMNM013074	NMNM013074	MARATHON OIL
KYLE FEDERAL	7H	3001548305	NMNM13074	NMNM13074	MARATHON OIL
KYLE FEDERAL	8H	3001548306	NMNM13074	NMNM13074	MARATHON OIL
MADERA 25 WA	2H	3002549340	NMNM65441	NMNM65441	MARATHON OIL
CAVE LION	18H	3002545425	NMNM13647	NMNM13647	MARATHON OIL
HEGEMON 21 WB	21H	3001553913	NMNM135099	NMNM135099	MARATHON OIL
HEGEMON 21 WB	24H	3001553914	NMNM138837	NMNM138837	MARATHON OIL
FREMEN 7 WXY	3H	3001548712	NMLC064200	NMLC064200	MARATHON OIL
NED PEPPER 18	6H	3002547480	NMNM123528	NMNM123528	MARATHON OIL
BLUE STEEL 21	23H	3001553942	NMNM86024	NMNM86024	MARATHON OIL
DOLLY PURRTON	702H	3002550336	NMNM084729	NMNM084729	MARATHON OIL
SWALLOWTAIL	6H	3002550008	NMNM084729	NMNM084729	MARATHON OIL
CHICKEN FRY 15-	16H	3001549700	NMNM0556542	NMNM0556542	MARATHON OIL
CHICKEN FRY 15-	17H	3001549701	NMNM0556542	NMNM0556542	MARATHON OIL
CHAOS WC	701H	3001553642	NMNM19842B	NMNM19842B	MARATHON OIL
MAZER NORTH	2H	3001554008	NMNM114972	NMNM114972	MARATHON OIL
HEGEMON 21 WA	22H	3001553910	NMNM138837	NMNM138837	MARATHON OIL
HEGEMON 21 WB	29H	3001553931	NMNM138837	NMNM138837	MARATHON OIL
NED PEPPER 18	4H	3002547477	NMNM123528	NMNM123528	MARATHON OIL
MADERA 24 WXY	14H	3002549613	NMNM65441	NMNM65441	MARATHON OIL
MADERA 25 WB	13H	3002549617	NMNM65441	NMNM65441	MARATHON OIL
COLOSSUS 18-19	4H	3002549532	NMNM104706	NMNM104706	MARATHON OIL
DOLLY PURRTON	703H	3002550467	NMNM084729	NMNM084729	MARATHON OIL
SWALLOWTAIL	8H	3002550009	NMNM084729	NMNM084729	MARATHON OIL
WHISTLE PIG 1	201H	3001549798	NMNM016104	NMNM016104	MARATHON OIL
MADERA 24	1H	3002549205	NMNM65441	NMNM65441	MARATHON OIL
MADERA 24	7H	3002549208	NMNM65441	NMNM65441	MARATHON OIL
KYLE 34 WD	4H	3001548729	NMNM13074	NMNM13074	MARATHON OIL
KYLE 34 WD	22H	3001548730	NMNM13074	NMNM13074	MARATHON OIL
CHICKEN FRY 22	16H	3001545739	NMNM0556542	NMNM0556542	MARATHON OIL
MAZER	9H	3001553406	NMNM138836	NMNM138836	MARATHON OIL
HEGEMON 21	18H	3001553935	NMNM135099	NMNM135099	MARATHON OIL
ATREIDES 8 WXY	5H	3001549703	NMNM112268	NMNM112268	MARATHON OIL
ROY BATTY 33	5H	3001549133	NMNM115411	NMNM115411	MARATHON OIL
BLUE STEEL 21	5H	3001553775	NMNM86024	NMNM86024	MARATHON OIL
BLUE STEEL 21	16H	3001553939	NMNM119272	NMNM119272	MARATHON OIL
MADERA 24 TB	17H	3002550417	NMNM65441	NMNM65441	MARATHON OIL
TROJAN HORSE	3H	3001549705	NMNM19601	NMNM19601	MARATHON OIL
DOLLY PURRTON	701H	3002550466	NMNM084729	NMNM084729	MARATHON OIL
MAZER NORTH	1H	3001554017	NMNM114972	NMNM114972	MARATHON OIL
BING CLAWSBY	6H	3002551388	NMNM84728	NMNM84728	MARATHON OIL

Well Name	Well Number	US Well Number	Lease Number	Case Number	Operator
GOLIATH 24 FED	702H	3002552753	NMNM65441	NMNM65441	MARATHON OIL
MADERA 25 FED	10H	3002549339	NMNM65441	NMNM65441	MARATHON OIL
MADERA 25 FED	6H	3002549342	NMNM65441	NMNM65441	MARATHON OIL
CHILI PARLOR	7H	3002546360	NMNM114984	NMNM114984	MARATHON OIL
HEGEMON 21 WA	16H	3001553934	NMNM135099	NMNM135099	MARATHON OIL
HEGEMON 21 WA	30H	3001553912	NMNM138837	NMNM138837	MARATHON OIL
FREMEN 7 WXY	5H	3001548711	NMLC064200	NMLC064200	MARATHON OIL
MADERA 24 WB	13H	3002549611	NMNM65441	NMNM65441	MARATHON OIL
MADERA 25 WXY	14H	3002549619	NMNM65441	NMNM65441	MARATHON OIL
SWALLOWTAIL	11H	3002550468	NMNM084729	NMNM084729	MARATHON OIL
BING CLAWSBY	4H	3002551268	NMNM84728	NMNM84728	MARATHON OIL
GOLIATH 24 FED	301H	3002552750	NMNM65441	NMNM65441	MARATHON OIL
GOLIATH 24 FED	601H	3002552752	NMNM65441	NMNM65441	MARATHON OIL
MADERA 25 FED	7H	3002549343	NMNM65441	NMNM65441	MARATHON OIL
MADERA 19 FED	11H	3002549202	NMNM93223	NMNM93223	MARATHON OIL
CHILI PARLOR	9H	3002546361	NMNM114984	NMNM114984	MARATHON OIL
MAZER	13H	3001553408	NMNM138836	NMNM138836	MARATHON OIL
HEGEMON 21 WA	25H	3001553911	NMNM138837	NMNM138837	MARATHON OIL
ROY BATTY 33	3H	3001549131	NMNM115411	NMNM115411	MARATHON OIL
BLUE STEEL 21	3H	3001553774	NMNM86024	NMNM86024	MARATHON OIL
BLUE STEEL 21	17H	3001553940	NMNM119272	NMNM119272	MARATHON OIL
MADERA 24 WA	18H	3002550418	NMNM65441	NMNM65441	MARATHON OIL
MADERA 25 TB	17H	3002549615	NMNM65441	NMNM65441	MARATHON OIL
CROSSBOW	10H	3001549858	NMNM0540701A	NMNM0540701A	MARATHON OIL
SWALLOWTAIL	12H	3002550010	NMNM084729	NMNM084729	MARATHON OIL
WHISTLE PIG 1	1H	3001549799	NMNM016104	NMNM140543	MARATHON OIL
CHICKEN FRY 15-	12H	3001549699	NMNM0556542	NMNM0556542	MARATHON OIL
CHAOS WC	702H	3001553732	NMNM19842B	NMNM19842B	MARATHON OIL
DECIMUS 5 WXY	2H	3001554120	NMNM29221	NMNM29221	MARATHON OIL
GOLIATH 24 FED	602H	3002552537	NMNM65441	NMNM65441	MARATHON OIL
MADERA 25 TB	1H	3002549338	NMNM65441	NMNM65441	MARATHON OIL
MADERA 24	10H	3002549206	NMNM65441	NMNM65441	MARATHON OIL
MADERA 24	11H	3002549207	NMNM65441	NMNM65441	MARATHON OIL
CAVE LION	14H	3002545423	NMNM13647	NMNM13647	MARATHON OIL
ATREIDES 8 WXY	4H	3001549702	NMNM112268	NMNM112268	MARATHON OIL
FRIZZLE FRY 22	8H	3002549556	NMNM077058	NMNM077058	MARATHON OIL
NED PEPPER 18	2H	3002547478	NMNM123528	NMNM123528	MARATHON OIL
SWALLOWTAIL	4H	3002550007	NMNM084729	NMNM084729	MARATHON OIL
BING CLAWSBY	5H	3002551387	NMNM84728	NMNM84728	MARATHON OIL
GOLIATH 24 FED	701H	3002552538	NMNM65441	NMNM65441	MARATHON OIL
KYLE FEDERAL	1H	3001548368	NMNM13074	NMNM13074	MARATHON OIL
MADERA 25 FED	11H	3002549341	NMNM65441	NMNM65441	MARATHON OIL
MADERA 19 WA	9H	3002549201	NMNM93223	NMNM93223	MARATHON OIL
MADERA 19 FED	10H	3002549203	NMNM93223	NMNM93223	MARATHON OIL

Well Name	Well Number	US Well Number	Lease Number	Case Number	Operator
MADERA 19 FED	12H	3002549204	NMNM93223	NMNM93223	MARATHON OIL
FRIZZLE FRY 22	29H	3002549554	NMNM077058	NMNM077058	MARATHON OIL
NED PEPPER 18	1H	3002547476	NMNM123528	NMNM123528	MARATHON OIL
NED PEPPER 18	9H	3002547479	NMNM123528	NMNM123528	MARATHON OIL
CROSSBOW	4H	3001549856	NMNM0540701A	NMNM0540701A	MARATHON OIL
SWALLOWTAIL	5H	3002550005	NMNM084729	NMNM084729	MARATHON OIL
WHISTLE PIG 1	7H	3001549800	NMNM016104	NMNM140543	MARATHON OIL
GOLIATH 24 FED	302H	3002552751	NMNM65441	NMNM65441	MARATHON OIL
MADERA 24	2H	3002549621	NMNM65441	NMNM65441	MARATHON OIL
MADERA 24	6H	3002550004	NMNM65441	NMNM65441	MARATHON OIL
MADERA 19 FB	8H	3002549200	NMNM93223	NMNM93223	MARATHON OIL
MAZER	14H	3001553407	NMNM138836	NMNM138836	MARATHON OIL
ROY BATTY 33	1H	3001549132	NMNM115411	NMNM115411	MARATHON OIL
BLUE STEEL 21	10H	3001553941	NMNM86024	NMNM86024	MARATHON OIL
MADERA 24 WB	20H	3002549612	NMNM65441	NMNM65441	MARATHON OIL
MADERA 24 WXY	21H	3002549614	NMNM65441	NMNM65441	MARATHON OIL
MADERA 25 WA	18H	3002549616	NMNM65441	NMNM65441	MARATHON OIL
MADERA 25 WB	20H	3002549618	NMNM65441	NMNM65441	MARATHON OIL
MADERA 25 WXY	21H	3002549620	NMNM65441	NMNM65441	MARATHON OIL

Notice of Intent

Sundry ID: 2788436

Type of Submission: Notice of Intent

Type of Action: Variance

Date Sundry Submitted: 05/06/2024

Time Sundry Submitted: 07:30

Date proposed operation will begin: 05/06/2024

Procedure Description: Marathon Oil Permian respectfully request a variance for BOP Break Testing. Please apply to all wells approved but not yet drilled. Please see the attached procedure.

NOI Attachments

Procedure Description

BOP_Break_Test_Variance___Final_20240506071426.pdf

Operator

I certify that the foregoing is true and correct. Title 18 U.S.C. Section 1001 and Title 43 U.S.C. Section 1212, make it a crime for any person knowingly and willfully to make to any department or agency of the United States any false, fictitious or fraudulent statements or representations as to any matter within its jurisdiction. Electronic submission of Sundry Notices through this system satisfies regulations requiring a

Operator Electronic Signature: TERRI STATHEM

Signed on: MAY 06, 2024 07:15 AM

Name: MARATHON OIL PERMIAN LLC

Title: Regulatory Compliance Manager

Street Address: 990 TOWN & COUNTRY BLVD

City: HOUSTON **State:** TX

Phone: (713) 296-2113

Email address: TSTATHEM@MARATHONOIL.COM

Field

Representative Name:

Street Address:

City: **State:** **Zip:**

Phone:

Email address:

BLM Point of Contact

BLM POC Name: KEITH P IMMATTY

BLM POC Title: ENGINEER

BLM POC Phone: 5759884722

BLM POC Email Address: KIMMATTY@BLM.GOV

Disposition: Approved

Disposition Date: 05/06/2024

Signature: Keith Immatty

Form 3160-5
(June 2019)

UNITED STATES
DEPARTMENT OF THE INTERIOR
BUREAU OF LAND MANAGEMENT

FORM APPROVED
OMB No. 1004-0137
Expires: October 31, 2021

SUNDRY NOTICES AND REPORTS ON WELLS
Do not use this form for proposals to drill or to re-enter an abandoned well. Use Form 3160-3 (APD) for such proposals.

5. Lease Serial No. **MULTIPLE**
6. If Indian, Allottee or Tribe Name
MULTIPLE

SUBMIT IN TRIPLICATE - Other instructions on page 2

1. Type of Well <input type="checkbox"/> Oil Well <input type="checkbox"/> Gas Well <input type="checkbox"/> Other		7. If Unit of CA/Agreement, Name and/or No. MULTIPLE
2. Name of Operator MARATHON OIL PERMIAN LLC		8. Well Name and No. MULTIPLE
3a. Address 990 TOWN & COUNTRY BLVD, HOUSTON, TX	3b. Phone No. (include area code) (713) 296-2113	9. API Well No. MULTIPLE
4. Location of Well (Footage, Sec., T.,R.,M., or Survey Description) MULTIPLE		10. Field and Pool or Exploratory Area MULTIPLE
		11. Country or Parish, State MULTIPLE

12. CHECK THE APPROPRIATE BOX(ES) TO INDICATE NATURE OF NOTICE, REPORT OR OTHER DATA

TYPE OF SUBMISSION	TYPE OF ACTION				
<input checked="" type="checkbox"/> Notice of Intent	<input type="checkbox"/> Acidize	<input type="checkbox"/> Deepen	<input type="checkbox"/> Production (Start/Resume)	<input type="checkbox"/> Water Shut-Off	
<input type="checkbox"/> Subsequent Report	<input type="checkbox"/> Alter Casing	<input type="checkbox"/> Hydraulic Fracturing	<input type="checkbox"/> Reclamation	<input type="checkbox"/> Well Integrity	
<input type="checkbox"/> Final Abandonment Notice	<input type="checkbox"/> Casing Repair	<input type="checkbox"/> New Construction	<input type="checkbox"/> Recomplete	<input checked="" type="checkbox"/> Other	
	<input type="checkbox"/> Change Plans	<input type="checkbox"/> Plug and Abandon	<input type="checkbox"/> Temporarily Abandon		
	<input type="checkbox"/> Convert to Injection	<input type="checkbox"/> Plug Back	<input type="checkbox"/> Water Disposal		

13. Describe Proposed or Completed Operation: Clearly state all pertinent details, including estimated starting date of any proposed work and approximate duration thereof. If the proposal is to deepen directionally or recompleat horizontally, give subsurface locations and measured and true vertical depths of all pertinent markers and zones. Attach the Bond under which the work will be performed or provide the Bond No. on file with BLM/BIA. Required subsequent reports must be filed within 30 days following completion of the involved operations. If the operation results in a multiple completion or recompleat in a new interval, a Form 3160-4 must be filed once testing has been completed. Final Abandonment Notices must be filed only after all requirements, including reclamation, have been completed and the operator has detennined that the site is ready for final inspection.)

Marathon Oil Permian respectfully request a variance for BOP Break Testing. Please apply to all wells approved but not yet drilled.
Please see the attached procedure.

14. I hereby certify that the foregoing is true and correct. Name (Printed/Typed) TERRI STATHEM / Ph: (713) 296-2113	Title Regulatory Compliance Manager
Signature (Electronic Submission)	Date 05/06/2024

THE SPACE FOR FEDERAL OR STATE OFFICE USE

Approved by KEITH P IMMATTY / Ph: (575) 988-4722 / Approved	Title ENGINEER	Date 05/06/2024
Conditions of approval, if any, are attached. Approval of this notice does not warrant or certify that the applicant holds legal or equitable title to those rights in the subject lease which would entitle the applicant to conduct operations thereon.		
Office CARLSBAD		

Title 18 U.S.C Section 1001 and Title 43 U.S.C Section 1212, make it a crime for any person knowingly and willfully to make to any department or agency of the United States any false, fictitious or fraudulent statements or representations as to any matter within its jurisdiction.

(Instructions on page 2)

GENERAL INSTRUCTIONS

This form is designed for submitting proposals to perform certain well operations and reports of such operations when completed as indicated on Federal and Indian lands pursuant to applicable Federal law and regulations. Any necessary special instructions concerning the use of this form and the number of copies to be submitted, particularly with regard to local area or regional procedures and practices, are either shown below, will be issued by or may be obtained from the local Federal office.

SPECIFIC INSTRUCTIONS

Item 4 - Locations on Federal or Indian land should be described in accordance with Federal requirements. Consult the local Federal office for specific instructions.

Item 13: Proposals to abandon a well and subsequent reports of abandonment should include such special information as is required by the local Federal office. In addition, such proposals and reports should include reasons for the abandonment; data on any former or present productive zones or other zones with present significant fluid contents not sealed off by cement or otherwise; depths (top and bottom) and method of placement of cement plugs; mud or other material placed below, between and above plugs; amount, size, method of parting of any casing, liner or tubing pulled and the depth to the top of any tubing left in the hole; method of closing top of well and date well site conditioned for final inspection looking for approval of the abandonment. If the proposal will involve **hydraulic fracturing operations**, you must comply with 43 CFR 3162.3-3, including providing information about the protection of usable water. Operators should provide the best available information about all formations containing water and their depths. This information could include data and interpretation of resistivity logs run on nearby wells. Information may also be obtained from state or tribal regulatory agencies and from local BLM offices.

NOTICES

The privacy Act of 1974 and the regulation in 43 CFR 2.48(d) provide that you be furnished the following information in connection with information required by this application.

AUTHORITY: 30 U.S.C. 181 et seq., 351 et seq., 25 U.S.C. 396; 43 CFR 3160.

PRINCIPAL PURPOSE: The information is used to: (1) Evaluate, when appropriate, approve applications, and report completion of subsequent well operations, on a Federal or Indian lease; and (2) document for administrative use, information for the management, disposal and use of National Resource lands and resources, such as: (a) evaluating the equipment and procedures to be used during a proposed subsequent well operation and reviewing the completed well operations for compliance with the approved plan; (b) requesting and granting approval to perform those actions covered by 43 CFR 3162.3-2, 3162.3-3, and 3162.3-4; (c) reporting the beginning or resumption of production, as required by 43 CFR 3162.4-1(c) and (d) analyzing future applications to drill or modify operations in light of data obtained and methods used.

ROUTINE USES: Information from the record and/or the record will be transferred to appropriate Federal, State, local or foreign agencies, when relevant to civil, criminal or regulatory investigations or prosecutions in connection with congressional inquiries or to consumer reporting agencies to facilitate collection of debts owed the Government.

EFFECT OF NOT PROVIDING THE INFORMATION: Filing of this notice and report and disclosure of the information is mandatory for those subsequent well operations specified in 43 CFR 3162.3-2, 3162.3-3, 3162.3-4.

The Paperwork Reduction Act of 1995 requires us to inform you that:

The BLM collects this information to evaluate proposed and/or completed subsequent well operations on Federal or Indian oil and gas leases.

Response to this request is mandatory.

The BLM would like you to know that you do not have to respond to this or any other Federal agency-sponsored information collection unless it displays a currently valid OMB control number.

BURDEN HOURS STATEMENT: Public reporting burden for this form is estimated to average 8 hours per response, including the time for reviewing instructions, gathering and maintaining data, and completing and reviewing the form. Direct comments regarding the burden estimate or any other aspect of this form to U.S. Department of the Interior, Bureau of Land Management (1004-0137), Bureau Information Collection Clearance Officer (WO-630), 1849 C St., N.W., Mail Stop 401 LS, Washington, D.C. 20240

Additional Information

Batch Well Data

MADERA 24 FEDERAL 26 34 24 TB 1H, US Well Number: 3002549205, Case Number: NMNM65441, Lease Number: NMNM65441,
Operator:MARATHON OIL PERMIAN LLC

MADERA 25 TB Fed Com 1H, US Well Number: 3002549338, Case Number: NMNM65441, Lease Number: NMNM65441,
Operator:MARATHON OIL PERMIAN LLC

KYLE FEDERAL 24 28 34 TB 1H, US Well Number: 3001548368, Case Number: NMNM13074, Lease Number: NMNM13074,
Operator:MARATHON OIL PERMIAN LLC

KYLE FEDERAL 24 28 34 WD 6H, US Well Number: 3001553615, Case Number: NMNM013074, Lease Number: NMNM013074,
Operator:MARATHON OIL PERMIAN LLC

KYLE FEDERAL 24 28 34 WXY 7H, US Well Number: 3001548305, Case Number: NMNM13074, Lease Number: NMNM13074,
Operator:MARATHON OIL PERMIAN LLC

KYLE FEDERAL 24 28 34 WXY 8H, US Well Number: 3001548306, Case Number: NMNM13074, Lease Number: NMNM13074,
Operator:MARATHON OIL PERMIAN LLC

MADERA 24 FEDERAL 26 34 24 TB 10H, US Well Number: 3002549206, Case Number: NMNM65441, Lease Number: NMNM65441,
Operator:MARATHON OIL PERMIAN LLC

MADERA 24 FEDERAL 26 34 24 WA 2H, US Well Number: 3002549621, Case Number: NMNM65441, Lease Number: NMNM65441,
Operator:MARATHON OIL PERMIAN LLC

MADERA 24 FEDERAL 26 34 24 WA 11H, US Well Number: 3002549207, Case Number: NMNM65441, Lease Number: NMNM65441,
Operator:MARATHON OIL PERMIAN LLC

MADERA 24 FEDERAL 26 34 24 WB 6H, US Well Number: 3002550004, Case Number: NMNM65441, Lease Number: NMNM65441,
Operator:MARATHON OIL PERMIAN LLC

MADERA 24 FEDERAL 26 34 24 WXY 7H, US Well Number: 3002549208, Case Number: NMNM65441, Lease Number: NMNM65441,
Operator:MARATHON OIL PERMIAN LLC

MADERA 25 FED COM 26 34 25 TB 10H, US Well Number: 3002549339, Case Number: NMNM65441, Lease Number: NMNM65441,
Operator:MARATHON OIL PERMIAN LLC

MADERA 25 WA FED COM 2H, US Well Number: 3002549340, Case Number: NMNM65441, Lease Number: NMNM65441,
Operator:MARATHON OIL PERMIAN LLC

MADERA 25 FED COM 26 34 25 WA 11H, US Well Number: 3002549341, Case Number: NMNM65441, Lease Number: NMNM65441,

Operator:MARATHON OIL PERMIAN LLC

MADERA 25 FED COM 26 34 25 WB 6H, US Well Number: 3002549342, Case Number: NMNM65441, Lease Number: NMNM65441,
Operator:MARATHON OIL PERMIAN LLC

MADERA 25 FED COM 26 34 25 WXY 7H, US Well Number: 3002549343, Case Number: NMNM65441, Lease Number: NMNM65441,
Operator:MARATHON OIL PERMIAN LLC

MADERA 19 FB FED COM 8H, US Well Number: 3002549200, Case Number: NMNM93223, Lease Number: NMNM93223,
Operator:MARATHON OIL PERMIAN LLC

MADERA 19 WA FED COM 9H, US Well Number: 3002549201, Case Number: NMNM93223, Lease Number: NMNM93223,
Operator:MARATHON OIL PERMIAN LLC

MADERA 19 FED COM 26 35 19 WC 10H, US Well Number: 3002549203, Case Number: NMNM93223, Lease Number: NMNM93223,
Operator:MARATHON OIL PERMIAN LLC

MADERA 19 FED COM 26 35 19 WB 11H, US Well Number: 3002549202, Case Number: NMNM93223, Lease Number: NMNM93223,
Operator:MARATHON OIL PERMIAN LLC

MADERA 19 FED COM 26 35 19 WXY 12H, US Well Number: 3002549204, Case Number: NMNM93223, Lease Number: NMNM93223,
Operator:MARATHON OIL PERMIAN LLC

CAVE LION FEDERAL 26 35 5 TB 14H, US Well Number: 3002545423, Case Number: NMNM13647, Lease Number: NMNM13647,
Operator:MARATHON OIL PERMIAN LLC

CAVE LION FEDERAL 26 35 5 WXY 18H, US Well Number: 3002545425, Case Number: NMNM13647, Lease Number: NMNM13647,
Operator:MARATHON OIL PERMIAN LLC

KYLE 34 WD FEDERAL COM 4H, US Well Number: 3001548729, Case Number: NMNM13074, Lease Number: NMNM13074,
Operator:MARATHON OIL PERMIAN LLC

KYLE 34 WD FEDERAL COM 22H, US Well Number: 3001548730, Case Number: NMNM13074, Lease Number: NMNM13074,
Operator:MARATHON OIL PERMIAN LLC

CHICKEN FRY 22 WD FC 16H, US Well Number: 3001545739, Case Number: NMNM0556542, Lease Number: NMNM0556542,
Operator:MARATHON OIL PERMIAN LLC

CHILI PARLOR FED 22 33 17 TB 7H, US Well Number: 3002546360, Case Number: NMNM114984, Lease Number: NMNM114984,
Operator:MARATHON OIL PERMIAN LLC

CHILI PARLOR FED 22 33 17 TB 9H, US Well Number: 3002546361, Case Number: NMNM114984, Lease Number: NMNM114984,
Operator:MARATHON OIL PERMIAN LLC

MAZER RACKHAM 20 WA FED COM 9H, US Well Number: 3001553406, Case Number: NMNM138836, Lease Number: NMNM138836,
Operator:MARATHON OIL PERMIAN LLC

MAZER RACKHAM 20 WA FED COM 14H, US Well Number: 3001553407, Case Number: NMNM138836, Lease Number: NMNM138836,
Operator:MARATHON OIL PERMIAN LLC

MAZER RACKHAM 20 WB FED COM 13H, US Well Number: 3001553408, Case Number: NMNM138836, Lease Number: NMNM138836,
Operator:MARATHON OIL PERMIAN LLC

HEGEMON 21 WA FEDERAL 16H, US Well Number: 3001553934, Case Number: NMNM135099, Lease Number: NMNM135099,
Operator:MARATHON OIL PERMIAN LLC

HEGEMON 21 WA FEDERAL 22H, US Well Number: 3001553910, Case Number: NMNM138837, Lease Number: NMNM138837,
Operator:MARATHON OIL PERMIAN LLC

HEGEMON 21 WA FEDERAL 25H, US Well Number: 3001553911, Case Number: NMNM138837, Lease Number: NMNM138837,
Operator:MARATHON OIL PERMIAN LLC

HEGEMON 21 WA FEDERAL 30H, US Well Number: 3001553912, Case Number: NMNM138837, Lease Number: NMNM138837,
Operator:MARATHON OIL PERMIAN LLC

HEGEMON 21 WB FEDERAL 21H, US Well Number: 3001553913, Case Number: NMNM135099, Lease Number: NMNM135099,
Operator:MARATHON OIL PERMIAN LLC

HEGEMON 21 WB FEDERAL 24H, US Well Number: 3001553914, Case Number: NMNM138837, Lease Number: NMNM138837,
Operator:MARATHON OIL PERMIAN LLC

HEGEMON 21 WB FEDERAL 29H, US Well Number: 3001553931, Case Number: NMNM138837, Lease Number: NMNM138837,
Operator:MARATHON OIL PERMIAN LLC

HEGEMON 21 WD FEDERAL 18H, US Well Number: 3001553935, Case Number: NMNM135099, Lease Number: NMNM135099,
Operator:MARATHON OIL PERMIAN LLC

FREMEN 7 WXY FED COM 3H, US Well Number: 3001548712, Case Number: NMLC064200, Lease Number: NMLC064200,
Operator:MARATHON OIL PERMIAN LLC

FREMEN 7 WXY FED COM 5H, US Well Number: 3001548711, Case Number: NMLC064200, Lease Number: NMLC064200,
Operator:MARATHON OIL PERMIAN LLC

ROY BATTY 33 WA FED COM 3H, US Well Number: 3001549131, Case Number: NMNM115411, Lease Number: NMNM115411,
Operator:MARATHON OIL PERMIAN LLC

ATREIDES 8 WXY FED COM 4H, US Well Number: 3001549702, Case Number: NMNM112268, Lease Number: NMNM112268,
Operator:MARATHON OIL PERMIAN LLC

ATREIDES 8 WXY FED COM 5H, US Well Number: 3001549703, Case Number: NMNM112268, Lease Number: NMNM112268,
Operator:MARATHON OIL PERMIAN LLC

ROY BATTY 33 WXY FED COM 1H, US Well Number: 3001549132, Case Number: NMNM115411, Lease Number: NMNM115411,
Operator:MARATHON OIL PERMIAN LLC

ROY BATTY 33 WXY FED COM 5H, US Well Number: 3001549133, Case Number: NMNM115411, Lease Number: NMNM115411,
Operator:MARATHON OIL PERMIAN LLC

FRIZZLE FRY 22 FB FED COM 29H, US Well Number: 3002549554, Case Number: NMNM077058, Lease Number: NMNM077058,
Operator:MARATHON OIL PERMIAN LLC

FRIZZLE FRY 22 SB FED COM 8H, US Well Number: 3002549556, Case Number: NMNM077058, Lease Number: NMNM077058,
Operator:MARATHON OIL PERMIAN LLC

NED PEPPER 18 TB FEDERAL COM 1H, US Well Number: 3002547476, Case Number: NMNM123528, Lease Number: NMNM123528,
Operator:MARATHON OIL PERMIAN LLC

NED PEPPER 18 TB FEDERAL COM 4H, US Well Number: 3002547477, Case Number: NMNM123528, Lease Number: NMNM123528,
Operator:MARATHON OIL PERMIAN LLC

NED PEPPER 18 WA FEDERAL COM 2H, US Well Number: 3002547478, Case Number: NMNM123528, Lease Number: NMNM123528,
Operator:MARATHON OIL PERMIAN LLC

NED PEPPER 18 WA FEDERAL COM 9H, US Well Number: 3002547479, Case Number: NMNM123528, Lease Number: NMNM123528,
Operator:MARATHON OIL PERMIAN LLC

NED PEPPER 18 WXY FEDERAL COM 6H, US Well Number: 3002547480, Case Number: NMNM123528, Lease Number: NMNM123528,
Operator:MARATHON OIL PERMIAN LLC

BLUE STEEL 21 WD FEE 3H, US Well Number: 3001553774, Case Number: NMNM86024, Lease Number: NMNM86024,
Operator:MARATHON OIL PERMIAN LLC

BLUE STEEL 21 WD FEE 5H, US Well Number: 3001553775, Case Number: NMNM86024, Lease Number: NMNM86024,
Operator:MARATHON OIL PERMIAN LLC

BLUE STEEL 21 WD FEE 10H, US Well Number: 3001553941, Case Number: NMNM86024, Lease Number: NMNM86024,
Operator:MARATHON OIL PERMIAN LLC

BLUE STEEL 21 WD FEE 23H, US Well Number: 3001553942, Case Number: NMNM86024, Lease Number: NMNM86024,

Operator:MARATHON OIL PERMIAN LLC

BLUE STEEL 21 WD FED COM 16H, US Well Number: 3001553939, Case Number: NMNM119272, Lease Number: NMNM119272,
Operator:MARATHON OIL PERMIAN LLC

BLUE STEEL 21 WD FED COM 17H, US Well Number: 3001553940, Case Number: NMNM119272, Lease Number: NMNM119272,
Operator:MARATHON OIL PERMIAN LLC

MADERA 24 WB FED 13H, US Well Number: 3002549611, Case Number: NMNM65441, Lease Number: NMNM65441,
Operator:MARATHON OIL PERMIAN LLC

MADERA 24 WXY FED 14H, US Well Number: 3002549613, Case Number: NMNM65441, Lease Number: NMNM65441,
Operator:MARATHON OIL PERMIAN LLC

MADERA 24 TB FED 17H, US Well Number: 3002550417, Case Number: NMNM65441, Lease Number: NMNM65441,
Operator:MARATHON OIL PERMIAN LLC

MADERA 24 WA FED 18H, US Well Number: 3002550418, Case Number: NMNM65441, Lease Number: NMNM65441,
Operator:MARATHON OIL PERMIAN LLC

MADERA 24 WB FED 20H, US Well Number: 3002549612, Case Number: NMNM65441, Lease Number: NMNM65441,
Operator:MARATHON OIL PERMIAN LLC

MADERA 24 WXY FED 21H, US Well Number: 3002549614, Case Number: NMNM65441, Lease Number: NMNM65441,
Operator:MARATHON OIL PERMIAN LLC

MADERA 25 WB FEDERAL COM 13H, US Well Number: 3002549617, Case Number: NMNM65441, Lease Number: NMNM65441,
Operator:MARATHON OIL PERMIAN LLC

MADERA 25 WXY FEDERAL COM 14H, US Well Number: 3002549619, Case Number: NMNM65441, Lease Number: NMNM65441,
Operator:MARATHON OIL PERMIAN LLC

MADERA 25 TB FEDERAL COM 17H, US Well Number: 3002549615, Case Number: NMNM65441, Lease Number: NMNM65441,
Operator:MARATHON OIL PERMIAN LLC

MADERA 25 WA FEDERAL COM 18H, US Well Number: 3002549616, Case Number: NMNM65441, Lease Number: NMNM65441,
Operator:MARATHON OIL PERMIAN LLC

MADERA 25 WB FEDERAL COM 20H, US Well Number: 3002549618, Case Number: NMNM65441, Lease Number: NMNM65441,
Operator:MARATHON OIL PERMIAN LLC

MADERA 25 WXY FEDERAL COM 21H, US Well Number: 3002549620, Case Number: NMNM65441, Lease Number: NMNM65441,
Operator:MARATHON OIL PERMIAN LLC

COLOSSUS 18-19 WA FED COM 4H, US Well Number: 3002549532, Case Number: NMNM104706, Lease Number: NMNM104706,
Operator:MARATHON OIL PERMIAN LLC

CROSSBOW FEDERAL 23 27 8 WA 4H, US Well Number: 3001549856, Case Number: NMNM0540701A, Lease Number: NMNM0540701A,
Operator:MARATHON OIL PERMIAN LLC

CROSSBOW FEDERAL 23 27 8 WA 10H, US Well Number: 3001549858, Case Number: NMNM0540701A, Lease Number: NMNM0540701A,
Operator:MARATHON OIL PERMIAN LLC

TROJAN HORSE 35 WB FED COM 3H, US Well Number: 3001549705, Case Number: NMNM19601, Lease Number: NMNM19601,
Operator:MARATHON OIL PERMIAN LLC

DOLLY PURRTON WC FED COM 701H, US Well Number: 3002550466, Case Number: NMNM084729, Lease Number: NMNM084729,
Operator:MARATHON OIL PERMIAN LLC

DOLLY PURRTON WC FED COM 702H, US Well Number: 3002550336, Case Number: NMNM084729, Lease Number: NMNM084729,
Operator:MARATHON OIL PERMIAN LLC

DOLLY PURRTON WC FED COM 703H, US Well Number: 3002550467, Case Number: NMNM084729, Lease Number: NMNM084729,
Operator:MARATHON OIL PERMIAN LLC

SWALLOWTAIL 14-11 WA FED COM 4H, US Well Number: 3002550007, Case Number: NMNM084729, Lease Number: NMNM084729,
Operator:MARATHON OIL PERMIAN LLC

SWALLOWTAIL 14-11 TB FED COM 5H, US Well Number: 3002550005, Case Number: NMNM084729, Lease Number: NMNM084729,
Operator:MARATHON OIL PERMIAN LLC

SWALLOWTAIL 14-11 WA FED COM 6H, US Well Number: 3002550008, Case Number: NMNM084729, Lease Number: NMNM084729,
Operator:MARATHON OIL PERMIAN LLC

SWALLOWTAIL 14-11 WA FED COM 8H, US Well Number: 3002550009, Case Number: NMNM084729, Lease Number: NMNM084729,
Operator:MARATHON OIL PERMIAN LLC

SWALLOWTAIL 14-11 TB FED COM 11H, US Well Number: 3002550468, Case Number: NMNM084729, Lease Number: NMNM084729,
Operator:MARATHON OIL PERMIAN LLC

SWALLOWTAIL 14-11 WA FED COM 12H, US Well Number: 3002550010, Case Number: NMNM084729, Lease Number: NMNM084729,
Operator:MARATHON OIL PERMIAN LLC

WHISTLE PIG 1 WC FED COM 1H, US Well Number: 3001549799, Case Number: NMNM140543, Lease Number: NMNM016104,
Operator:MARATHON OIL PERMIAN LLC

WHISTLE PIG 1 WC FED COM 7H, US Well Number: 3001549800, Case Number: NMNM140543, Lease Number: NMNM016104,
Operator:MARATHON OIL PERMIAN LLC

WHISTLE PIG 1 SB FED COM 201H, US Well Number: 3001549798, Case Number: NMNM016104, Lease Number: NMNM016104,
Operator:MARATHON OIL PERMIAN LLC

CHICKEN FRY 15-22 WXY FED COM 12H, US Well Number: 3001549699, Case Number: NMNM0556542, Lease Number: NMNM0556542,
Operator:MARATHON OIL PERMIAN LLC

CHICKEN FRY 15-22 WD FED COM 16H, US Well Number: 3001549700, Case Number: NMNM0556542, Lease Number: NMNM0556542,
Operator:MARATHON OIL PERMIAN LLC

CHICKEN FRY 15-22 WD FED COM 17H, US Well Number: 3001549701, Case Number: NMNM0556542, Lease Number: NMNM0556542,
Operator:MARATHON OIL PERMIAN LLC

CHAOS WC FEDERAL COM 702H, US Well Number: 3001553732, Case Number: NMNM19842B, Lease Number: NMNM19842B,
Operator:MARATHON OIL PERMIAN LLC

CHAOS WC FEDERAL COM 701H, US Well Number: 3001553642, Case Number: NMNM19842B, Lease Number: NMNM19842B,
Operator:MARATHON OIL PERMIAN LLC

MAZER NORTH 17 WA FED COM 1H, US Well Number: 3001554017, Case Number: NMNM114972, Lease Number: NMNM114972,
Operator:MARATHON OIL PERMIAN LLC

MAZER NORTH 17 WA FED COM 2H, US Well Number: 3001554008, Case Number: NMNM114972, Lease Number: NMNM114972,
Operator:MARATHON OIL PERMIAN LLC

BING CLAWSBY 15-10 WA FEDERAL COM 6H, US Well Number: 3002551388, Case Number: NMNM84728, Lease Number: NMNM84728,
Operator:MARATHON OIL PERMIAN LLC

DECIMUS 5 WXY FED COM 2H, US Well Number: 3001554120, Case Number: NMNM29221, Lease Number: NMNM29221,
Operator:MARATHON OIL PERMIAN LLC

BING CLAWSBY 15-10 WA FEDERAL COM 4H, US Well Number: 3002551268, Case Number: NMNM84728, Lease Number: NMNM84728,
Operator:MARATHON OIL PERMIAN LLC

BING CLAWSBY 15-10 TB FEDERAL COM 5H, US Well Number: 3002551387, Case Number: NMNM84728, Lease Number: NMNM84728,
Operator:MARATHON OIL PERMIAN LLC

GOLIATH 24 FED COM 301H, US Well Number: 3002552750, Case Number: NMNM65441, Lease Number: NMNM65441,
Operator:MARATHON OIL PERMIAN LLC

GOLIATH 24 FED COM 302H, US Well Number: 3002552751, Case Number: NMNM65441, Lease Number: NMNM65441,

Operator:MARATHON OIL PERMIAN LLC

GOLIATH 24 FED COM 602H, US Well Number: 3002552537, Case Number: NMNM65441, Lease Number: NMNM65441,
Operator:MARATHON OIL PERMIAN LLC

GOLIATH 24 FED COM 601H, US Well Number: 3002552752, Case Number: NMNM65441, Lease Number: NMNM65441,
Operator:MARATHON OIL PERMIAN LLC

GOLIATH 24 FED COM 702H, US Well Number: 3002552753, Case Number: NMNM65441, Lease Number: NMNM65441,
Operator:MARATHON OIL PERMIAN LLC

GOLIATH 24 FED COM 701H, US Well Number: 3002552538, Case Number: NMNM65441, Lease Number: NMNM65441,
Operator:MARATHON OIL PERMIAN LLC

CONFIDENTIAL

BOP Break Test Variance Request

Executive Summary

- Request for a Variance allowing break testing of the blowout preventer equipment. Marathon requests to only test broken pressure seals on the BOP and function test BOP when skidding between wells on a pad
- Currently CFR Title 43 Part 3170 states that a test shall be performed “whenever any seal subject to test pressure is broken” and BLM interprets this as requiring a full BOP test
- API 53 states that for pad drilling operations, ONLY the connections that have a pressure seal broken are required to be tested
- Marathon feels break testing meets and or exceeds CFR Title 43 and API 53 required standards and is good drilling practice. It also may reduce wear and tear on BOP components.



BOP Break Test Variance Request

Background

- API Standard 53, “Well Control Equipment Systems for Drilling Wells 5th addition, Dec 2018, Annex C Table C.4) states “ For pad drilling operations, moving from one wellhead to another within the 21days, pressure testing is required for pressure – containing and pressure controlling connection when the integrity of a pressure seal is broken.
- Marathon’s rigs utilize quick connects to allow the release of the BOP from wellhead to wellhead without breaking any BOP stack components. This technology allows for break testing
- BLM has previously approved this variance of break testing for other operators in the area

Table C.4—Initial Pressure Testing, Surface BOP Stacks

Component to be Pressure Tested	Pressure Test—Low Pressure ^{ac} psig (MPa)	Pressure Test—High Pressure ^{ac}	
		Change Out of Component, Elastomer, or Ring Gasket	No Change Out of Component, Elastomer, or Ring Gasket
Annular preventer ^b	250 to 350 (1.72 to 2.41)	RWP of annular preventer	MASP or 70% annular RWP, whichever is lower.
Fixed pipe, variable bore, blind, and BSR preventers ^{bd}	250 to 350 (1.72 to 2.41)	RWP of ram preventer or wellhead system, whichever is lower	ITP
Choke and kill line and BOP side outlet valves below ram preventers (both sides)	250 to 350 (1.72 to 2.41)	RWP of side outlet valve or wellhead system, whichever is lower	ITP
Choke manifold—upstream of chokes ^e	250 to 350 (1.72 to 2.41)	RWP of ram preventers or wellhead system, whichever is lower	ITP
Choke manifold—downstream of chokes ^e	250 to 350 (1.72 to 2.41)	RWP of valve(s), line(s), or MASP for the well program, whichever is lower	
Kelly, kelly valves, drill pipe safety valves, IBOPs	250 to 350 (1.72 to 2.41)	MASP for the well program	

^a Pressure test evaluation periods shall be a minimum of five minutes.
^b No visible leaks.
^c The pressure shall remain stable during the evaluation period. The pressure shall not decrease below the intended test pressure.
^d Annular(s) and VBR(s) shall be pressure tested on the largest and smallest OD drill pipe to be used in well program.
^e For pad drilling operations, moving from one wellhead to another within the 21 days, pressure testing is required for pressure-containing and pressure-controlling connections when the integrity of a pressure seal is broken.
^f For surface offshore operations, the ram BOPs shall be pressure tested with the ram locks engaged and the closing and locking pressure vented during the initial test. For land operations, the ram BOPs shall be pressure tested with the ram locks engaged and the closing and locking pressure vented at commissioning and annually.
^g Adjustable chokes are not required to be full sealing devices. Pressure testing against a closed choke is not required.



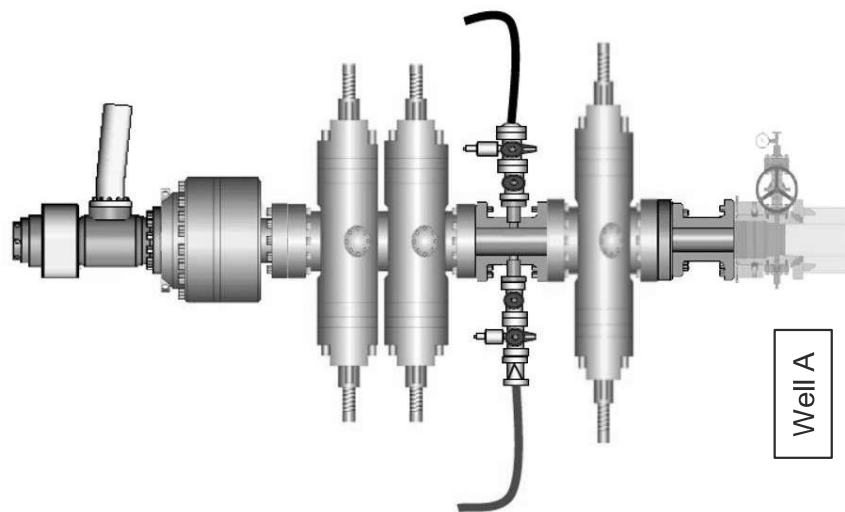
Procedures

Procedural Steps

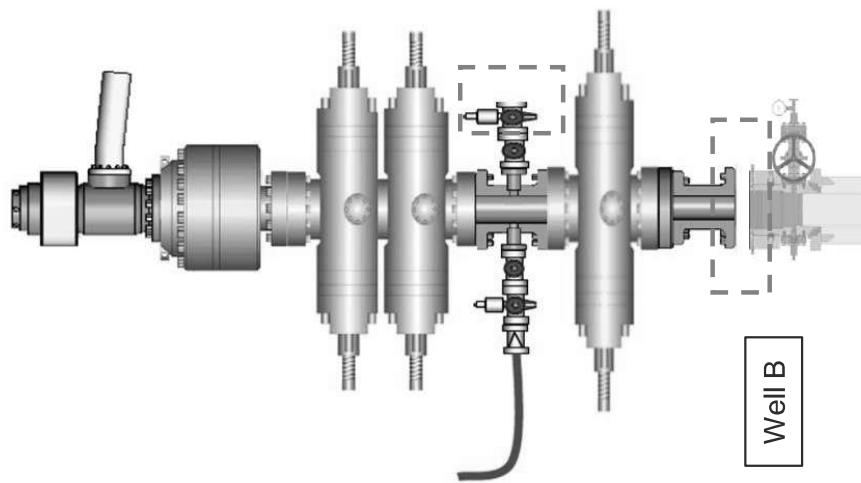
1. Marathon will use this document for break testing plan for New Mexico Delaware Basin.
2. Marathon will perform BOP break testing on well pads where multiple intermediate sections can be drilled and cased within the 21 day test window and will meet the following criteria:
 - a) A full BOP test will be conducted on the first well on the pad
 - b) The deepest intermediate well on the pad will be drilled first
 - c) A Full BOP test will be required prior to drilling any production hole
3. After completing the first full BOP test and drilling the intermediate section, two breaks will be performed on the BOP.
 - a) BOP quick connect and wellhead
 - b) HCV and Choke line connection
4. The BOP will be lifted from well A to well B
5. The two connections stated above will be reconnected
6. Test plug will be installed into wellhead utilizing drillpipe or test joint
7. Shell test will be performed against the upper pipe rams and testing the two breaks consisting of the following tests
 - a) 250psi low test and high test performed to 5,000 (well and sundry specific)
8. Function test will then be performed on the lower pipe rams, blind rams, and annular (performed each trip or every 7 days - whichever is more frequent)
9. This process will be repeated for other wells on the pad while being in the 21 day BOP test window

Sequence Diagram

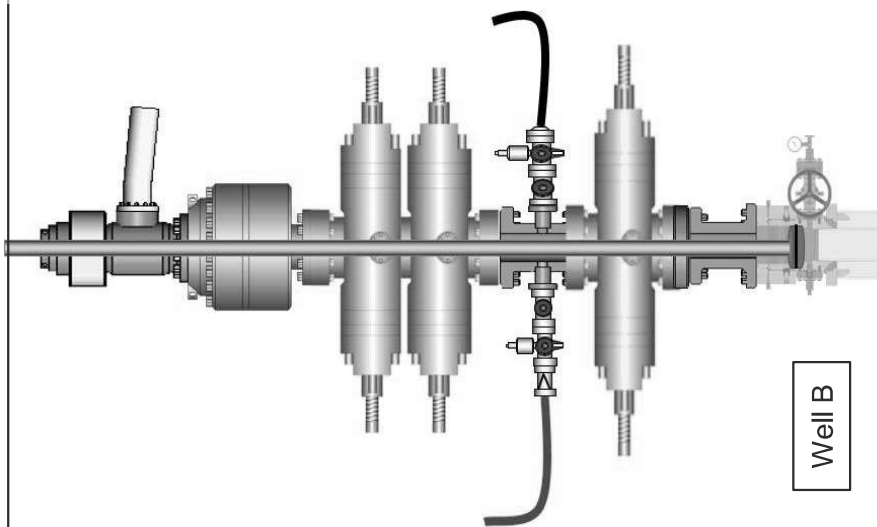
Well A: BOP installed on Well A



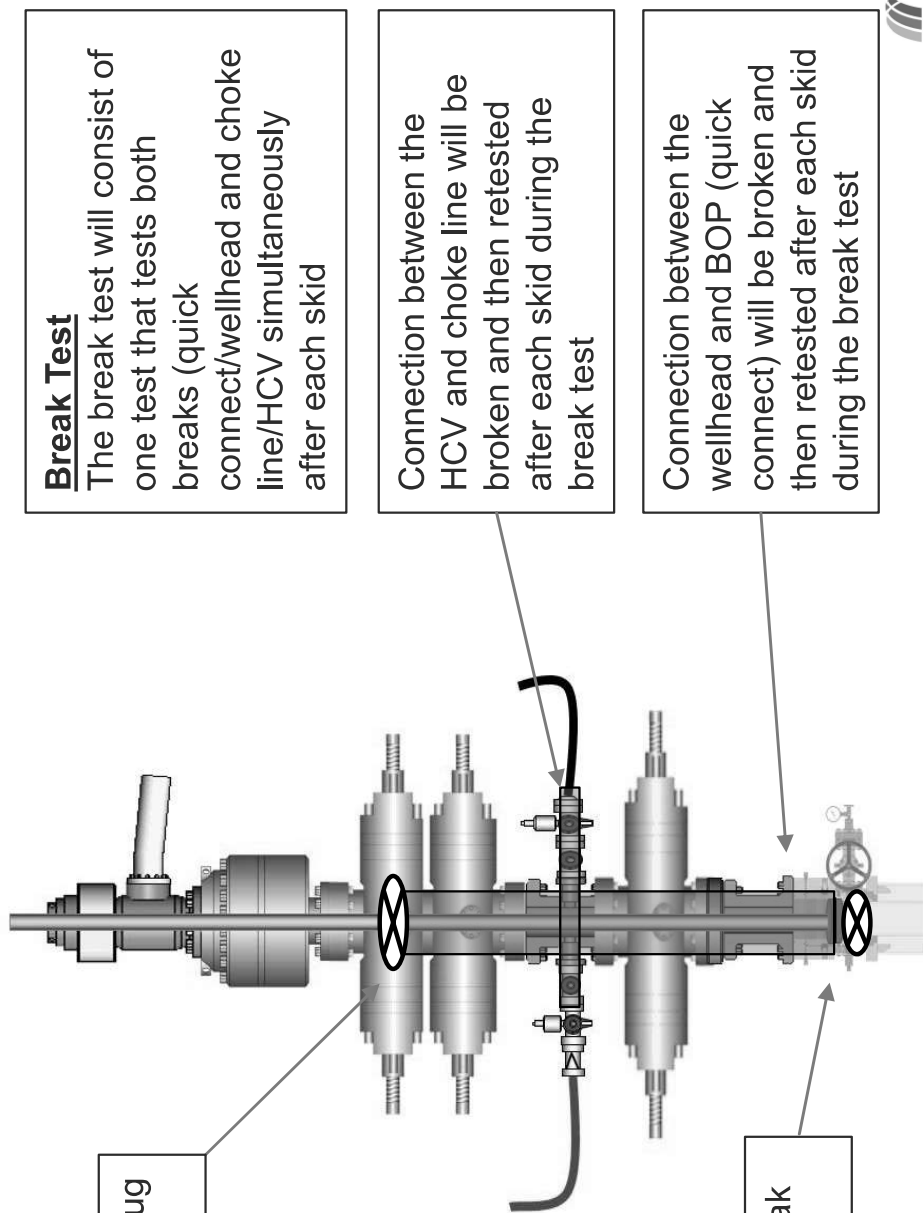
BOP picked up and moved from Well A to Well B. Disconnected at the quick connect and the choke line valve



Well B: Quick connect and choke line reconnected. Test plug installed.



Procedures Diagram



Summary

- A variance is requested to only test the broken pressure seals on the BOP equipment when moving from wellhead to wellhead. This is in full compliance with API Standard 53
- Marathon will meet the following criteria when break testing:
 - Time of last BOP test was less than 21 days
 - A full BOP test was conducted on the first well on the pad
 - The first intermediate hole section on the pad will be the deepest intermediate hole section.
 - Break testing will not occur on intermediate sections of over 5000 psi MASP

Sante Fe Main Office
Phone: (505) 476-3441

General Information
Phone: (505) 629-6116

Online Phone Directory
<https://www.emnrd.nm.gov/ocd/contact-us>

State of New Mexico
Energy, Minerals and Natural Resources
Oil Conservation Division
1220 S. St Francis Dr.
Santa Fe, NM 87505

CONDITIONS

Action 377175

CONDITIONS

Operator: MARATHON OIL PERMIAN LLC 990 Town & Country Blvd. Houston, TX 77024	OGRID: 372098
	Action Number: 377175
	Action Type: [C-103] NOI Change of Plans (C-103A)

CONDITIONS

Created By	Condition	Condition Date
pkautz	ALL PREVIOUS COA's APPLY	11/14/2024