



L. P. Thompson
Division Manager

John R. Kemp
Assistant Division Manager

Production Department
Hobbs Division
North American Production

Conoco Inc.
P. O. Box 460
1001 North Turner
Hobbs, NM 88240
(505) 393-4141

March 18, 1980

New Mexico Oil Conservation Division
Department of Energy and Minerals
State of New Mexico
P.O. Box 2088
Santa Fe, NM 87501

Attention: Mr. Dan Nutter

Dear Mr. Nutter:

Commingle Order PC-584 - Burger B-20

Commingle Order PC-584 gave Conoco Inc. permission to surface commingle the Warren Tubb and Blinebry Oil & Gas zones on the subject lease, Section 20, T-20S, R-38E, Lea County, New Mexico.

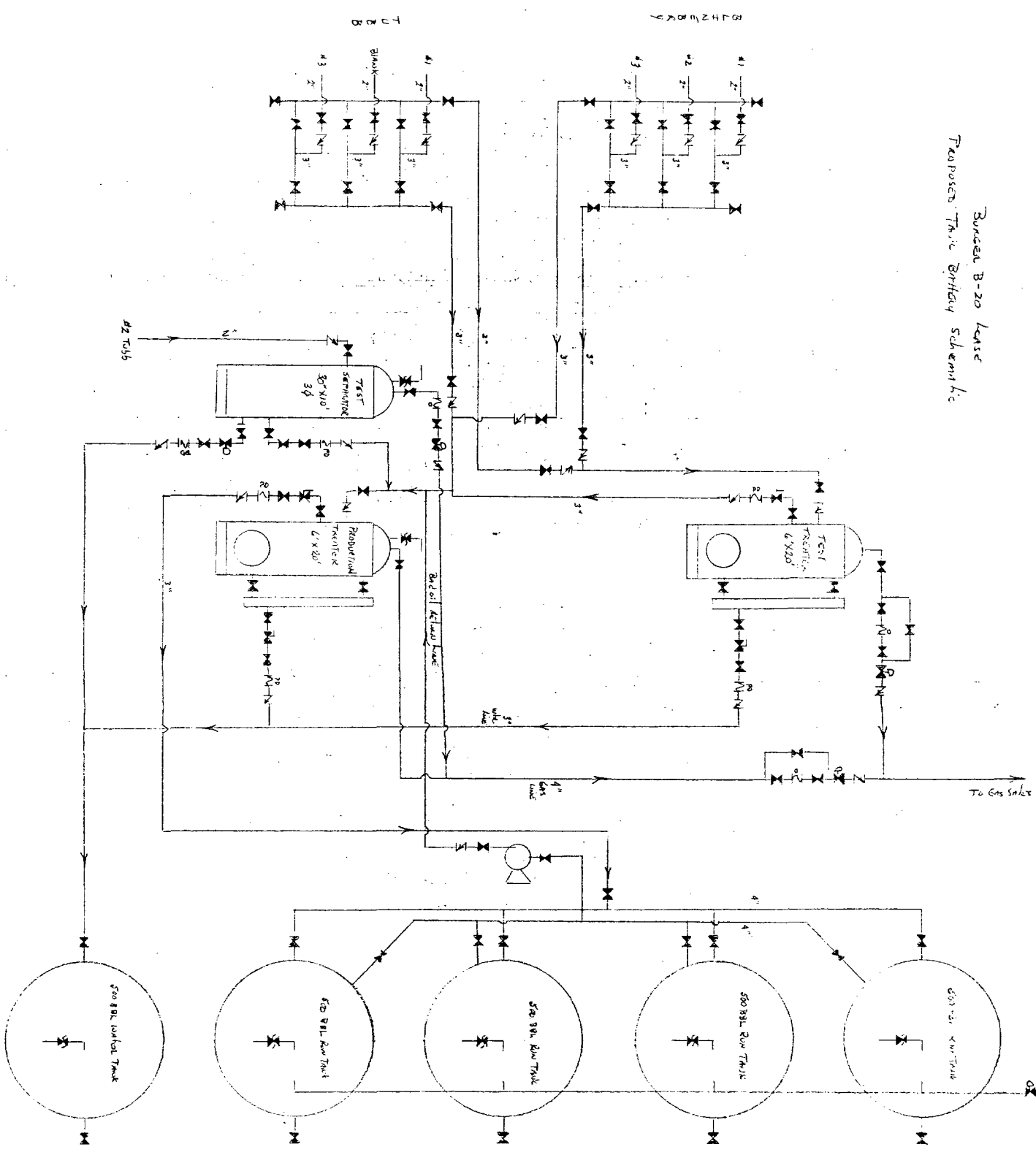
Development of the lease has involved the drilling and dually completing of wells number 1 and number 2 in the Warren Tubb and Blinebry Oil & Gas zones. The Warren Tubb zone in well number 2 has proven to be a non-marginal zone. Therefore, under the provisions of Commingle Order PC-584, production from this zone cannot be commingled with the remaining production.

We still desire to commingle all zones from both wells. In order to do this we propose to change the battery schematic submitted with our application. We now propose to meter production from the Warren Tubb zone through a separator before commingling with production from well number 1 and Blinebry Oil & Gas production from well number 2. A revised battery schematic is attached.

Yours very truly,

JRA:bep
Attachment

Bunker B-20 Lease
 Reposes Tank Off-High Schematic



B L H N E R R Y

T U B