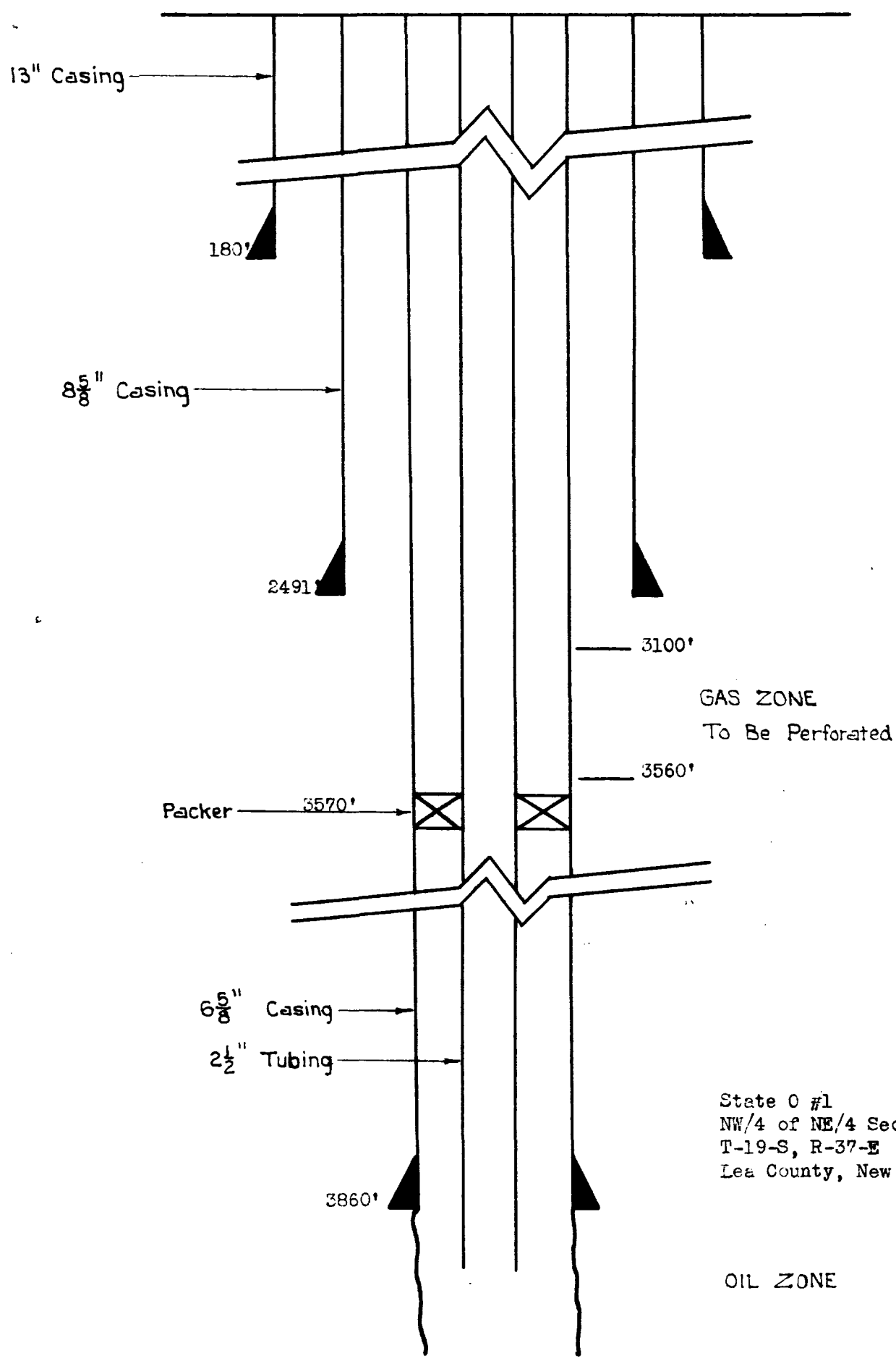


SCHEMATIC DIAGRAM OF PROPOSED DUAL COMPLETION AMERADA PETROLEUM CORPORATION



State O #1
NW/4 of NE/4 Sec 30
T-19-S, R-37-E
Lea County, New Mexico

OIL ZONE