

UNITED STATES
DEPARTMENT OF THE INTERIOR
BUREAU OF LAND MANAGEMENT

**NMOC D
RECEIVED**

FORM APPROVED
OMB No. 1004-0135
Expires March 31, 2007

SUNDRY NOTICES AND REPORTS ON WELLS JUL - 6 2006
Do not use this form for proposals to drill or re enter an abandoned well. Use Form 3160-3 (APD) for such proposals. **OGU-ARTESIA**

5. Lease Serial No.
NM-36653

6. If Indian, Allottee or Tribe Name

7. If Unit or CA/Agreement, Name and/or No.

8. Well Name and No.
Carol VI Federal Com #1

9. API Well No.
30-005-62008

10. Field and Pool, or Exploratory Area
Pecos Slope; Abo, West

11. County or Parish, State
Chaves County, New Mexico

SUBMIT IN TRIPLICATE - Other instructions on reverse side

1. Type of Well
 Oil Well Gas Well Other

2. Name of Operator
Yates Petroleum Corporation

3a. Address
105 S. 4th Str., Artesia, NM 88210

3b. Phone No. (include area code)
505-748-1471

4. Location of Well (Footage, Sec., T., R., M., OR Survey Description)
660'FSL & 990'FEL of Section 24-T7S-R22E (Unit P, SESE)

12. CHECK APPROPRIATE BOX(ES) TO INDICATE NATURE OF NOTICE, REPORT, OR OTHER DATA

TYPE OF SUBMISSION	TYPE OF ACTION			
<input checked="" type="checkbox"/> Notice of Intent	<input type="checkbox"/> Acidize	<input type="checkbox"/> Deepen	<input type="checkbox"/> Production (Start/Resume)	<input type="checkbox"/> Water Shut-Off
<input type="checkbox"/> Subsequent Report	<input type="checkbox"/> Alter Casing	<input type="checkbox"/> Fracture Treat	<input type="checkbox"/> Reclamation	<input type="checkbox"/> Well Integrity
<input type="checkbox"/> Final Abandonment Notice	<input type="checkbox"/> Casing Repair	<input type="checkbox"/> New Construction	<input type="checkbox"/> Recomplete	<input type="checkbox"/> Other _____
	<input type="checkbox"/> Change Plans	<input checked="" type="checkbox"/> Plug and Abandon	<input type="checkbox"/> Temporarily Abandon	
	<input type="checkbox"/> Convert to Injection	<input type="checkbox"/> Plug Back	<input type="checkbox"/> Water Disposal	

13. Describe Proposed or Completed Operation (clearly state all pertinent details, including estimated starting date of any proposed work and approximate duration thereof. If the proposal is to deepen directionally or recomplete horizontally, give subsurface locations and measured and true vertical depths of all pertinent markers and zones. Attach the Bond under which the work will be performed or provide the Bond No. on file with BLM/BIA. Required subsequent reports shall be filed within 30 days following completion of the involved operations. If the operation results in a multiple completion or recompletion in a new interval, a Form 3160-4 shall be filed once testing has been completed. Final Abandonment Notices shall be filed only after all requirements, including reclamation, have been completed, and the operator has determined that the site is ready for final inspection.)

Yates Petroleum Corporation plans to plug and abandon this well as follows:

1. MIRU any safety equipment as needed.
2. Set a 4-1/2" CIBP at 2698' with 35' cement on top.
3. Perforate squeeze holes at 1250'. Spot 100' cement plug (35 sx) in and out of casing from 1150'-1250'. Tag plug no lower than 1150'.
4. Perforate squeeze holes at 718'. Spot 100' cement plug (25 sx) in and out of casing from 718'-618'.
5. Perforate squeeze holes at 60'. Screw 4-1/2" swedge in casing to circulate cement out annulus leaving hole full of cement.
6. Install dry hole marker, clean location as per regulated.

**APPROVAL SUBJECT TO
GENERAL REQUIREMENTS AND
SPECIAL STIPULATIONS ATTACHED**

NOTE: Yates Petroleum Corporation will use steel pits and no earth pits

14. I hereby certify that the foregoing is true and correct

Name (Printed/Typed) **Tina Huerta** Title **Regulatory Compliance Supervisor**

Signature *Tina Huerta* Date **June 28, 2006**

THIS SPACE FOR FEDERAL OR STATE OFFICE USE

Approved by **(ORIG. SGD.) ALEXIS C. SWOBODA** Title **PETROLEUM ENGINEER** Date **JUL 03 2006**

Conditions of approval, if any, are attached. Approval of this notice does not warrant or certify that the applicant holds legal or equitable title to those rights in the subject lease which would entitle the applicant to conduct operations thereon.

Office

WELL NAME: Carol VI-1 FIELD: West Pecos Slope ABO

LOCATION: 660' FSL & 990' FEL Sec 24-7S-24E Chaves County

GL: 4058 GR ZERO: KB:

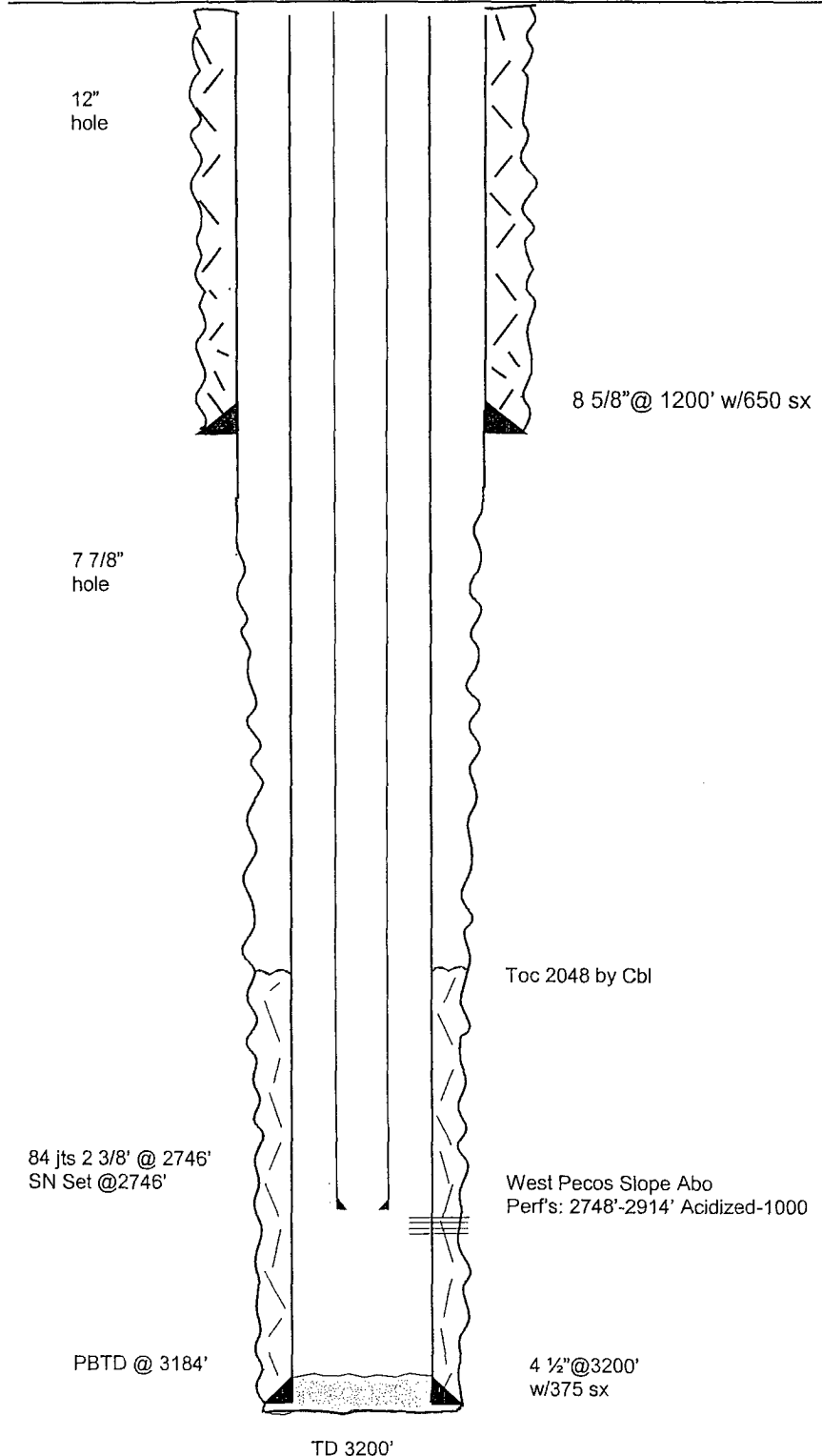
SPUD DATE: 5-27-83 COMPLETION DATE: 7-27-83

COMMENTS:

CASING PROGRAM

8 5/8"	1200'
4 1/2" 9.5# J-55	3188'

Glorieta 668'
Abo 2698'



not to scale
12/20/01
cam

WELL NAME: Carol VI-1 FIELD: West Pecos Slope ABO

LOCATION: 660'FSL & 990' FEL Sec 24-7S-24E Chaves County

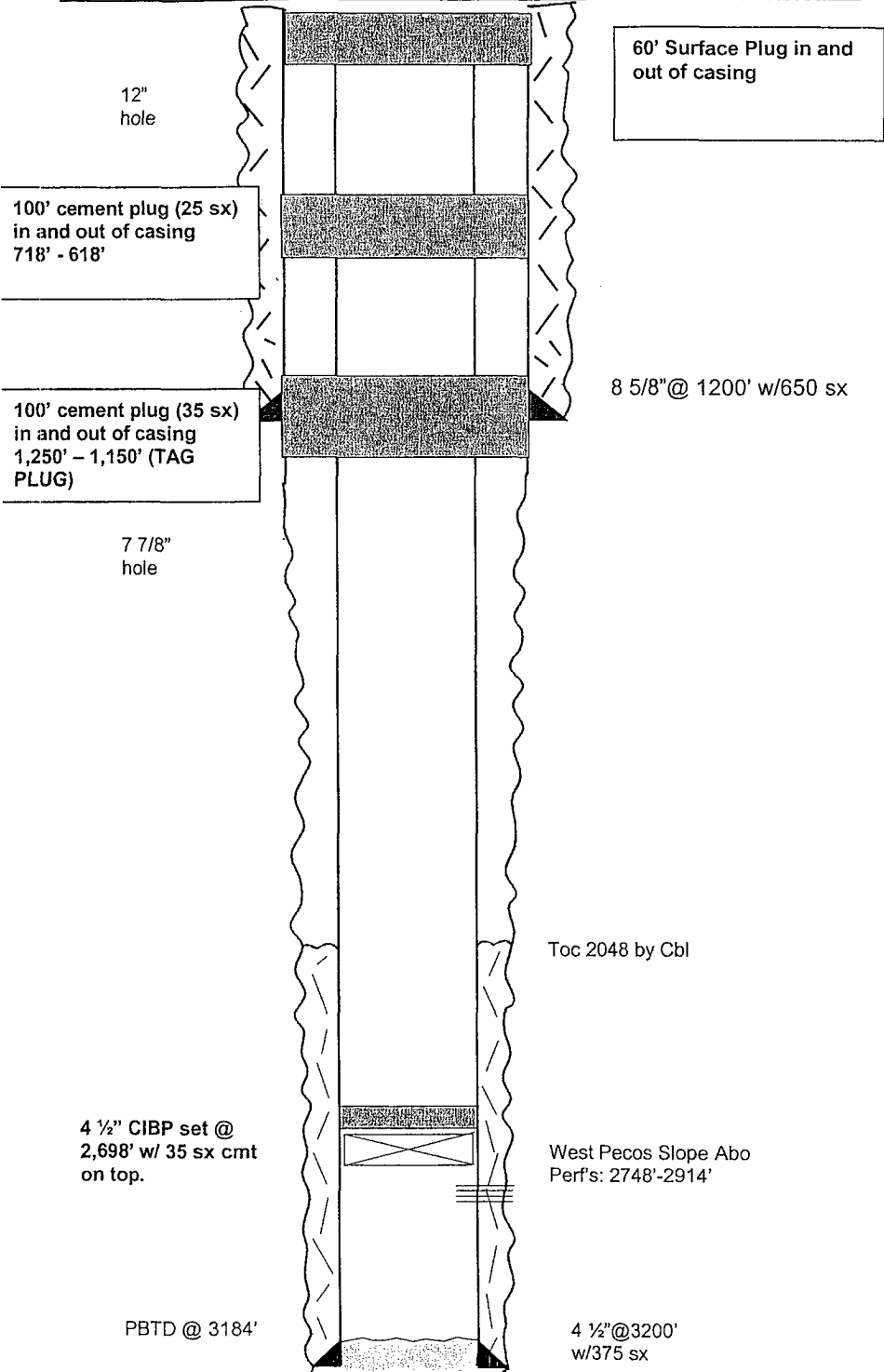
GL: 4058 GR ZERO: KB:

SPUD DATE: 5-27-83 COMPLETION DATE: 7-27-83

COMMENTS:

CASING PROGRAM

8 5/8"	1200'
4 1/2" 9.5# J-55	3188'



Glorieta 668'
Abo 2698'

Toc 2048 by Cbl