

30-015-21711

Form C-101
Revised 1-1-65

NEW MEXICO OIL CONSERVATION COMMISSION

RECEIVED

DEC 31 1975

NO. OF COPIES RECEIVED	6
DISTRIBUTION	
SANTA FE	
FILE	
U.S.G.S.	
LAND OFFICE	
OPERATOR	

APPLICATION FOR PERMIT TO DRILL, DEEPEN, OR PLUG BACK OFFICE

1a. Type of Work
 b. Type of Well
 OIL WELL GAS WELL OTHER SINGLE ZONE MULTIPLE ZONE
 2. Name of Operator
 DEPCO, Inc. ✓
 3. Address of Operator
 800 Central, Odessa, Texas 79761
 4. Location of Well
 UNIT LETTER J LOCATED 1650 FEET FROM THE East LINE
 AND 1980 FEET FROM THE South LINE OF SEC. 15 TWP. 19S RGE. 28E NMPM
 19. Proposed Depth 11,700
 19A. Formation Morrow
 20. Rotary or C.T. Rotary
 21. Elevations (Show whether DF, RT, etc.) 3449 Gr.
 21A. Kind & Status Plug. Bond Blanket -
 21B. Drilling Contractor Moranco
 22. Approx. Date Work will start On approval

5A. Indicate Type of Lease
 STATE FEE
 5. State Oil & Gas Lease No.
648
 7. Unit Agreement Name
 8. Farm or Lease Name
DHY State "A" Com.
 9. Well No.
1
 10. Field and Pool, or Wildcat
Wildcat
 12. County
Eddy
 23. PROPOSED CASING AND CEMENT PROGRAM

SIZE OF HOLE	SIZE OF CASING	WEIGHT PER FOOT	SETTING DEPTH	SACKS OF CEMENT	EST. TOP
1 7/8"	12 3/4	31	400	300	Circulate
1 1/2"	8 5/8	24 & 32	2800	1000	800
1 7/8"	4 1/2	11.6 & 13.5	11,700	500	7000
	5 1/2	17.20 & 23	11,700	500	7000

BCP - see attachment

APPROVAL VALID FOR 90 DAYS UNLESS DRILLING COMMENCED, EXPIRES 4-5-76

IN ABOVE SPACE DESCRIBE PROPOSED PROGRAM: IF PROPOSAL IS TO DEEPEN OR PLUG BACK, GIVE DATA ON PRESENT PRODUCTIVE ZONE AND PROPOSED NEW PRODUCTIVE ZONE. GIVE BLOWOUT PREVENTER PROGRAM, IF ANY.

I hereby certify that the information above is true and complete to the best of my knowledge and belief.
Signed R. Mason R. Mason Title Chief Clerk Date 12-29-75

(This space for State Use)
APPROVED BY W.A. Gressett TITLE SUPERVISOR, DISTRICT II DATE JAN 5 1976
CONDITIONS OF APPROVAL, IF ANY:

NEW MEXICO OIL CONSERVATION COMMISSION
WELL LOCATION AND ACREAGE DEDICATION PLAT

Form No. 1
Revised 1-1-68

All distances must be from the outer boundaries of the Section.

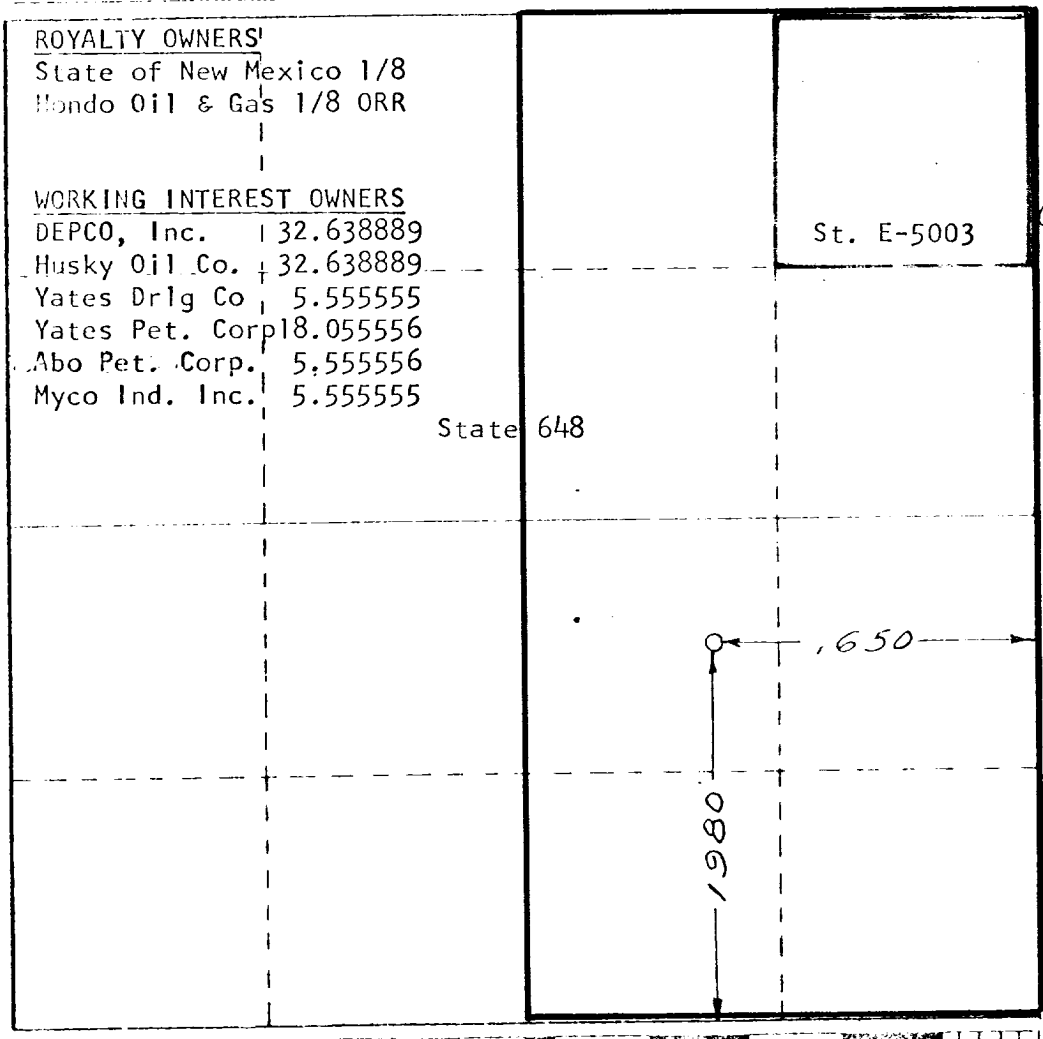
DEPCO INC.		NEW MEXICO STATE "A" Com.		SECTION 1	
Section "J"	15	Township 19 S.	Range 28 E.	County DEDDY	
Distance from the face of the well:			1650	East	
1980	South		Distance from the		Face of the well
3449	Producing Formation Morrow		Well Name Wildcat		320

1. Outline the acreage dedicated to the subject well by colored pencil or hatchure marks on the plat below.
2. If more than one lease is dedicated to the well, outline each and identify the ownership thereof (both as to working interest and royalty).
3. If more than one lease of different ownership is dedicated to the well, have the interests of all owners been consolidated by communitization, unitization, force-pooling, etc?

[X] Yes [] No If answer is "yes," type of consolidation Communitized

If answer is "no," list the owners and tract descriptions which have actually been consolidated. (Use reverse side of this form if necessary.)

No allowable will be assigned to the well until all interests have been consolidated (by communitization, unitization, force-pooling, or otherwise) or until a non-standard unit, eliminating such interests, has been approved by the Commission.



ROYALTY OWNERS'
State of New Mexico 1/8
Hondo Oil & Gas 1/8 ORR

WORKING INTEREST OWNERS
DEPCO, Inc. | 32.638889
Husky Oil Co. | 32.638889
Yates Drilg Co. | 5.555555
Yates Pet. Corp | 18.055556
Abo Pet. Corp. | 5.555556
Myco Ind. Inc. | 5.555555

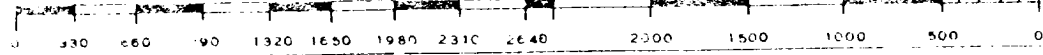
CERTIFICATION

I hereby certify that the information contained herein is true and complete to the best of my knowledge and belief.

D. R. Mason
D. R. Mason
Chief Clerk
DEPCO, Inc.
12-30-75

I hereby certify that the well location shown on this plat was plotted from field notes of actual surveys made by me or under my supervision, and that the same is true and correct to the best of my knowledge and belief.

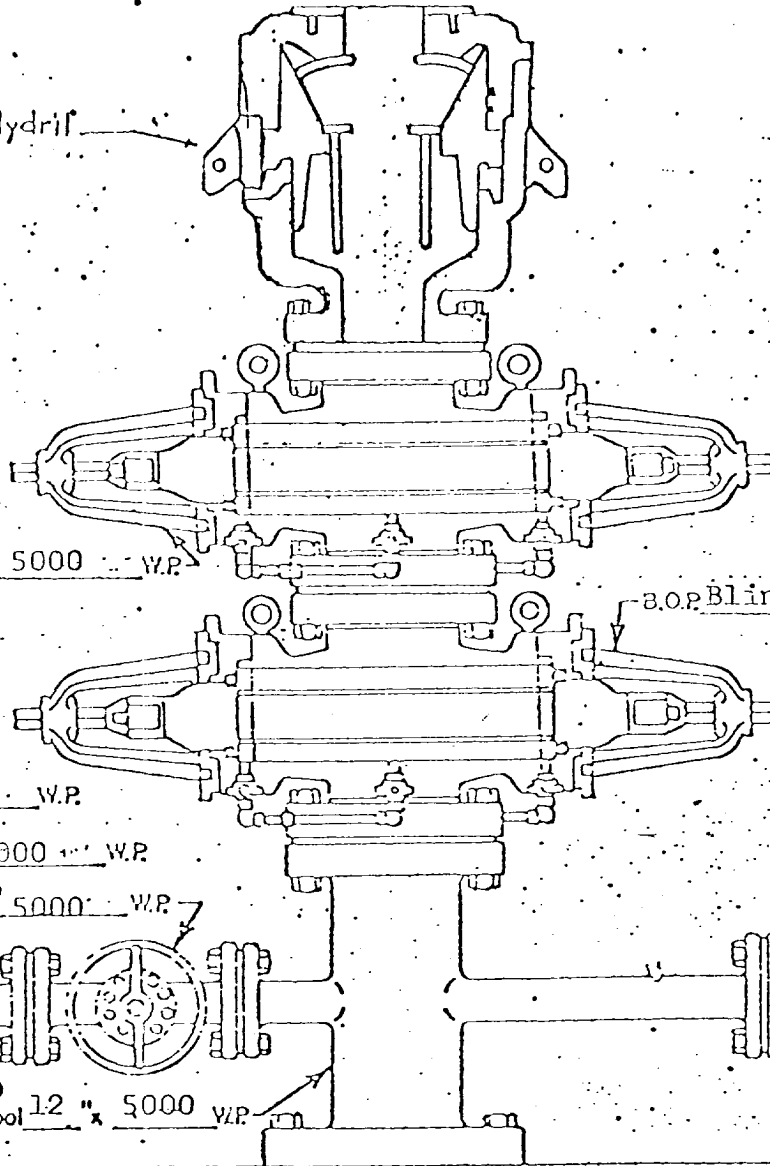
STATE OF NEW MEXICO
HERSCHEL JONES
REGISTERED LAND SURVEYOR
No. 3640



WELL NAME: DHY State, "A" 3. 1

LOCATION: Unit letter J, ¹²⁵⁰1550' FEL & 1980' FSL,
Sec. 15, T-19-S, R-28-E, Eddy County,
New Mexico

Series 1500 Hydrif



Ground Level

SURFACE

WELL HEAD B.O.P.

5000 W.P.

Manual

Hydraulic