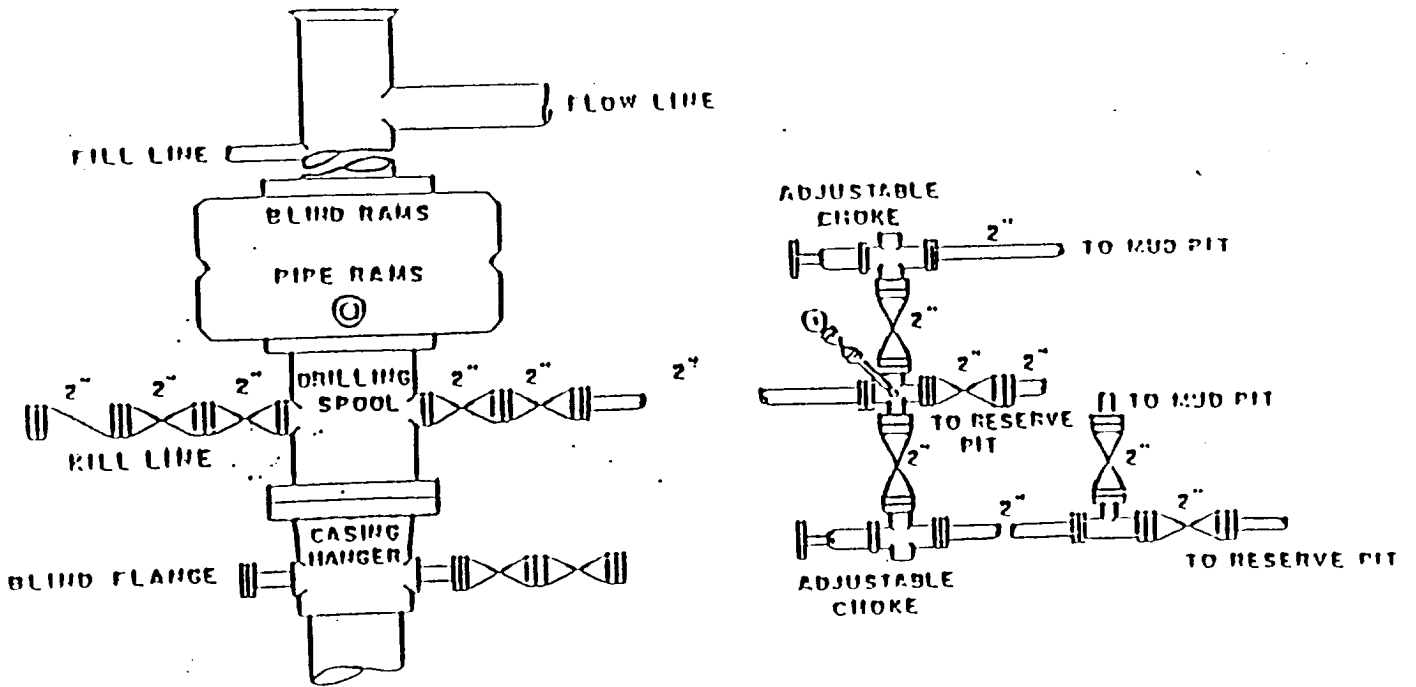


MCKAY OIL CORPORATION
Charolette State Unit #2
Section 36, T-5S, R-20E
Chaves County, New Mexico



BOP DIAGRAM

3000# Working Pressure
Rams Operated Daily

EXHIBIT D