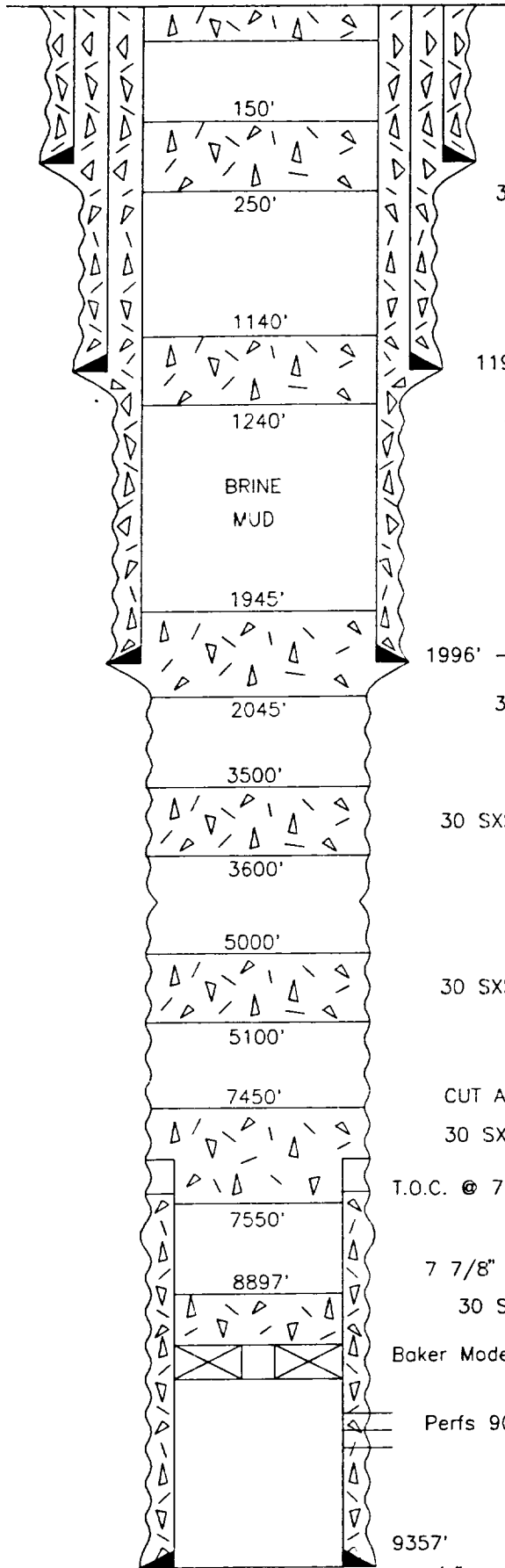


Elevation 3287' G.L.

# PROPOSED PLUG AND ABANDONMENT



10 SXS SURFACE PLUG

2/6/95

150'

201' - 16" csg. Cemented w/300 sxs Circ. to surface  
30 SXS CEMENT 150'-250'

250'

1140'

1192' - 11 3/4" csg. Cemented w/900 sxs Circ. to surface  
30 SXS CEMENT 1140'-1240'

1240'

BRINE  
MJD

1945'

1996' - 8 5/8" csg. Cemented w/450 sxs Circ. to surface  
30 SXS CEMENT 1945'-2045'

2045'

3500'

30 SXS CEMENT 3500'-3600'

3600'

5000'

30 SXS CEMENT 5000'-5100'

5100'

7450'

CUT AND PULL 5 1/2" CSG. AT APPROX. 7500'  
30 SXS CEMENT STUB PLUG 7450'-7550'

7550'

T.O.C. @ 7610' (Temp. Sur.)

8897'

7 7/8" Hole  
30 SXS CEMENT 8897'-8997'

Baker Model "D" Packer at 8997' w/on off tool

Perfs 909'-9193'

T.D. @ 9360'

9357'  
5 1/2", 15.5# and 17#, K-55 and N-80  
Cemented w/400 sxs

|                          |
|--------------------------|
| LYNX PETROLEUM           |
| Kaiser Com. No. 1        |
| 660' FNL & 2020' FWL     |
| Section 18, T-18S, R-27E |
| Eddy County, New Mexico  |