

UNITED STATES
DEPARTMENT OF THE INTERIOR
BUREAU OF LAND MANAGEMENT

NMOCOD

FORM APPROVED
OMB No. 1004-0135
Expires November 30, 2000

99F

SUNDRY NOTICES AND REPORTS ON WELLS

Do not use this form for proposals to drill or re enter an abandoned well. Use Form 3160-3 (APD) for such proposals.

SUBMIT IN TRIPLICATE - Other instructions on reverse side

1 Type of Well

Oil well Gas Well Other

2 Name of Operator

Yates Petroleum Corporation

3a. Address

105 S. 4th St-Artesia, NM 88210

3b. Phone No. (include area code)

505-748-1475

4 Location of Well

(Footage, Sec., T., R., M., OR Survey Description)

Unit H, 1980' FNL, 660' FEL, Sec. 35-T19S-R24E

5. Lease Serial No.

NM-26864

6. If Indian, Allottee or Tribe Name

7. If Unit or CA/Agreement, Name and/or No.

8. Well Name and No.

Roden GD Federal #6

9. API Well No.

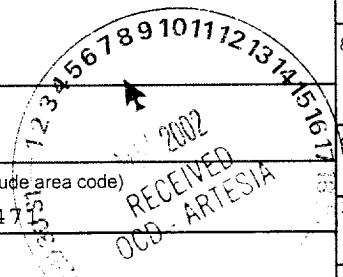
30-015-26337

10. Field and Pool, or Exploratory Area

Dagger Draw U/Penn N.

11. County or Parish, State

Eddy, NM



12. CHECK APPROPRIATE BOX(ES) TO INDICATE NATURE OF NOTICE, REPORT, OR OTHER DATA

TYPE OF SUBMISSION

TYPE OF ACTION

Notice of Intent

Acidize

Deepen

Production (Start/Resume)

Water Shut-Off

Alter Casing

Fracture Treat

Reclamation

Well Integrity

Subsequent Report

Casing Repair

New Construction

Recomplete

Other Disconnect lact unit

Change Plans

Plug and Abandon

Temporarily Abandon

Final Abandonment Notice

Convert to Injection

Plug Back

Water Disposal

13 Describe Proposed or Completed Operation (clearly state all pertinent details, including estimated starting date of any proposed work and approximate duration thereof. If the proposal is to deepen directionally or recomplete horizontally, give subsurface locations and measured and true vertical depths of all pertinent markers and zones. Attach the Bond under which the work will be performed or provide the Bond no. on file with BLM/BIA. Required subsequent reports shall be filed within 30 days following completion of the involved operations. If the operation results in a multiple completion or recompletion in a new interval, a Form 3160-4 shall be filed once testing has been completed. Final Abandonment Notices shall be filed only after all requirements, including reclamation, have completed, and the operator has determined that the site is ready for final inspection.)

The following wells are no longer connected to a lact unit. Attached is the updated site security diagram.

Roden GD Federal #4 (TA) Sec. 35-T19S-R24E

Roden GD Federal #6 Sec. 35-T19S-R24E

14 I hereby certify that the foregoing is true and correct

Name (Printed/Typed)

Michelle Taylor

Title

Regulatory Compliance

Signature

Michelle Taylor

Date

November 4, 2002

THIS SPACE FOR FEDERAL OR STATE OFFICE USE

Approved by

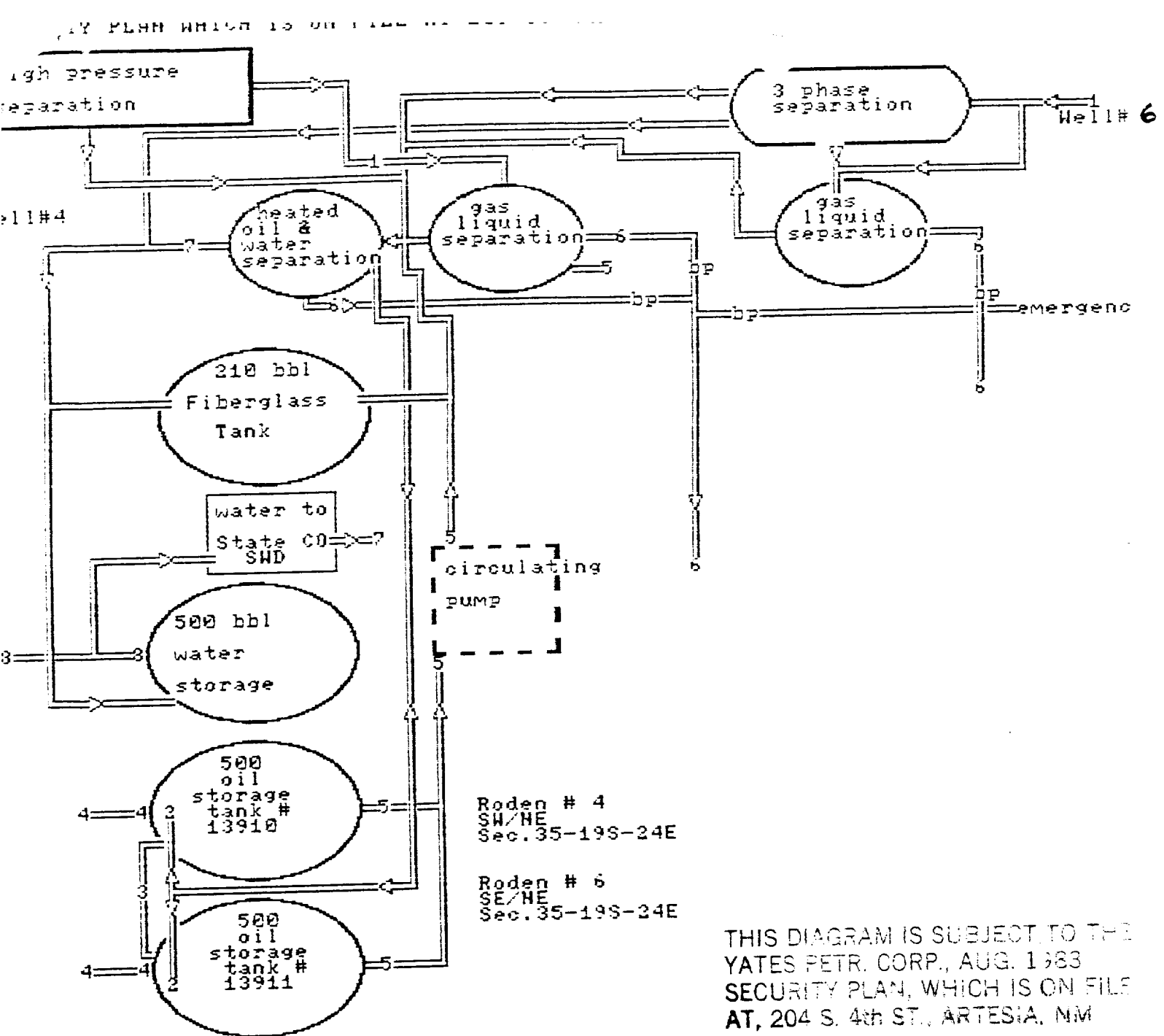
Title

Date

Conditions of approval, if any, are attached. Approval of this notice does not warrant or certify that the applicant holds legal or equitable title to those rights in the subject lease which would entitle the applicant to conduct operations thereon.

Office

18 U.S.C. Section 1001 and Title 43 U.S.C. Section 1212, make it a crime for any person knowingly and willfully to make to any department or agency of the United States any false, fictitious or fraudulent statements or representations as to any matter within its jurisdiction



- system is open ?
- = Incoming flowline connecting the following: #4 #6
- = Oil fill lines sealed closed during sales.
- = Oil equalizer line sealed closed during sales.
- = Oil sales sealed closed "except" during sales. (HavaJo)
- = Emergency drains sealed closed "except" in emergencies.
- = Metered gas sales to (Enron)
- = Water to an approved disposal. (State CO SMD Disposal System)
- = Unsealed valve for water hauling.

YATES PETROLEUM CORPORATION
 .SE. NAME: RODEN GD FEDERAL #4 #6
 .SE. # : NM 26864
 .GL.: SW/NE SEC. 35-19S-24E
 COUNTY, ST: EDDY, NM

SEPT 21, 1990
 Darrell Atkins
 Production Superintendent