

UNITED STATES
DEPARTMENT OF THE INTERIOR
BUREAU OF LAND MANAGEMENT

FORM APPROVED
OMB NO. 1004-0137
Expires: January 31, 2018

SUNDRY NOTICES AND REPORTS ON WELLS
Do not use this form for proposals to drill or to re-enter an abandoned well. Use form 3160-3 (APD) for such proposals.

5. Lease Serial No.
Multiple--See Attached

6. If Indian, Allottee or Tribe Name

SUBMIT IN TRIPLICATE - Other instructions on page 2

7. If Unit or CA/Agreement, Name and/or No.
Multiple--See Attached

1. Type of Well
 Oil Well Gas Well Other

8. Well Name and No.
Multiple--See Attached

2. Name of Operator **MARATHON OIL PERMIAN LLC** Contact: **ADRIAN COVARRUBIAS**
E-Mail: **acovarrubias@marathonoil.com**

9. API Well No.
Multiple--See Attached

3a. Address **5555 SAN FELIPE STREET
HOUSTON, TX 77056** 3b. Phone No. (include area code)
Ph: **713.296.3368**

10. Field and Pool or Exploratory Area
Multiple--See Attached

4. Location of Well (Footage, Sec., T., R., M., or Survey Description)
Multiple--See Attached

11. County or Parish, State
LEA COUNTY, NM

12. CHECK THE APPROPRIATE BOX(ES) TO INDICATE NATURE OF NOTICE, REPORT, OR OTHER DATA

TYPE OF SUBMISSION	TYPE OF ACTION			
<input type="checkbox"/> Notice of Intent	<input type="checkbox"/> Acidize	<input type="checkbox"/> Deepen	<input type="checkbox"/> Production (Start/Resume)	<input type="checkbox"/> Water Shut-Off
<input checked="" type="checkbox"/> Subsequent Report	<input type="checkbox"/> Alter Casing	<input type="checkbox"/> Hydraulic Fracturing	<input type="checkbox"/> Reclamation	<input type="checkbox"/> Well Integrity
<input type="checkbox"/> Final Abandonment Notice	<input type="checkbox"/> Casing Repair	<input type="checkbox"/> New Construction	<input type="checkbox"/> Recomplete	<input checked="" type="checkbox"/> Other Site Facility Diagram/Security Plan
	<input type="checkbox"/> Change Plans	<input type="checkbox"/> Plug and Abandon	<input type="checkbox"/> Temporarily Abandon	
	<input type="checkbox"/> Convert to Injection	<input type="checkbox"/> Plug Back	<input type="checkbox"/> Water Disposal	

13. Describe Proposed or Completed Operation: Clearly state all pertinent details, including estimated starting date of any proposed work and approximate duration thereof. If the proposal is to deepen directionally or recomplete horizontally, give subsurface locations and measured and true vertical depths of all pertinent markers and zones. Attach the Bond under which the work will be performed or provide the Bond No. on file with BLM/BIA. Required subsequent reports must be filed within 30 days following completion of the involved operations. If the operation results in a multiple completion or recompletion in a new interval, a Form 3160-4 must be filed once testing has been completed. Final Abandonment Notices must be filed only after all requirements, including reclamation, have been completed and the operator has determined that the site is ready for final inspection.

Marathon Oil Permian LLC is submitting Site Facility Diagram for this well pad:

- Wells included:
 Ender Wiggins 14 WA Federal Com 1H (API 30-025-45187)
 Ender Wiggins 14 WD Federal Com 2H (API 30-025-45189)
 Ender Wiggins 14 TB Federal Com 3H (API 30-025-45188)
 Dogie Draw 14 TB Federal Com 1H (API 30-025-45092)
 Dogie Draw 14 WA Federal Com 1H (API 30-025-45093)
 Dogie Draw 14 AV Federal Com 1H (API 30-025-45091)

14. I hereby certify that the foregoing is true and correct.

**Electronic Submission #532941 verified by the BLM Well Information System
For MARATHON OIL PERMIAN LLC, sent to the Hobbs
Committed to AFMSS for processing by DEBORAH MCKINNEY on 10/07/2020 (21DLM0009SE)**

Name (Printed/Typed) **ADRIAN COVARRUBIAS**

Title **REGULATORY PROFESSIONAL**

Signature (Electronic Submission)

Date **10/06/2020**

THIS SPACE FOR FEDERAL OR STATE OFFICE USE

Approved By **ACCEPTED**

(BLM Approver Not Specified)

Title

Date **10/09/2020**

Conditions of approval, if any, are attached. Approval of this notice does not warrant or certify that the applicant holds legal or equitable title to those rights in the subject lease which would entitle the applicant to conduct operations thereon.

Office **Hobbs**

Title 18 U.S.C. Section 1001 and Title 43 U.S.C. Section 1212, make it a crime for any person knowingly and willfully to make to any department or agency of the United States any false, fictitious or fraudulent statements or representations as to any matter within its jurisdiction.

(Instructions on page 2)

**** BLM REVISED ** BLM REVISED ** BLM REVISED ** BLM REVISED ** BLM REVISED ****

Additional data for EC transaction #532941 that would not fit on the form

5. Lease Serial No., continued

NMNM113419
 NMNM136221

7. If Unit or CA/Agreement, Name and No., continued

NMNM139617
 NMNM139618

Wells/Facilities, continued

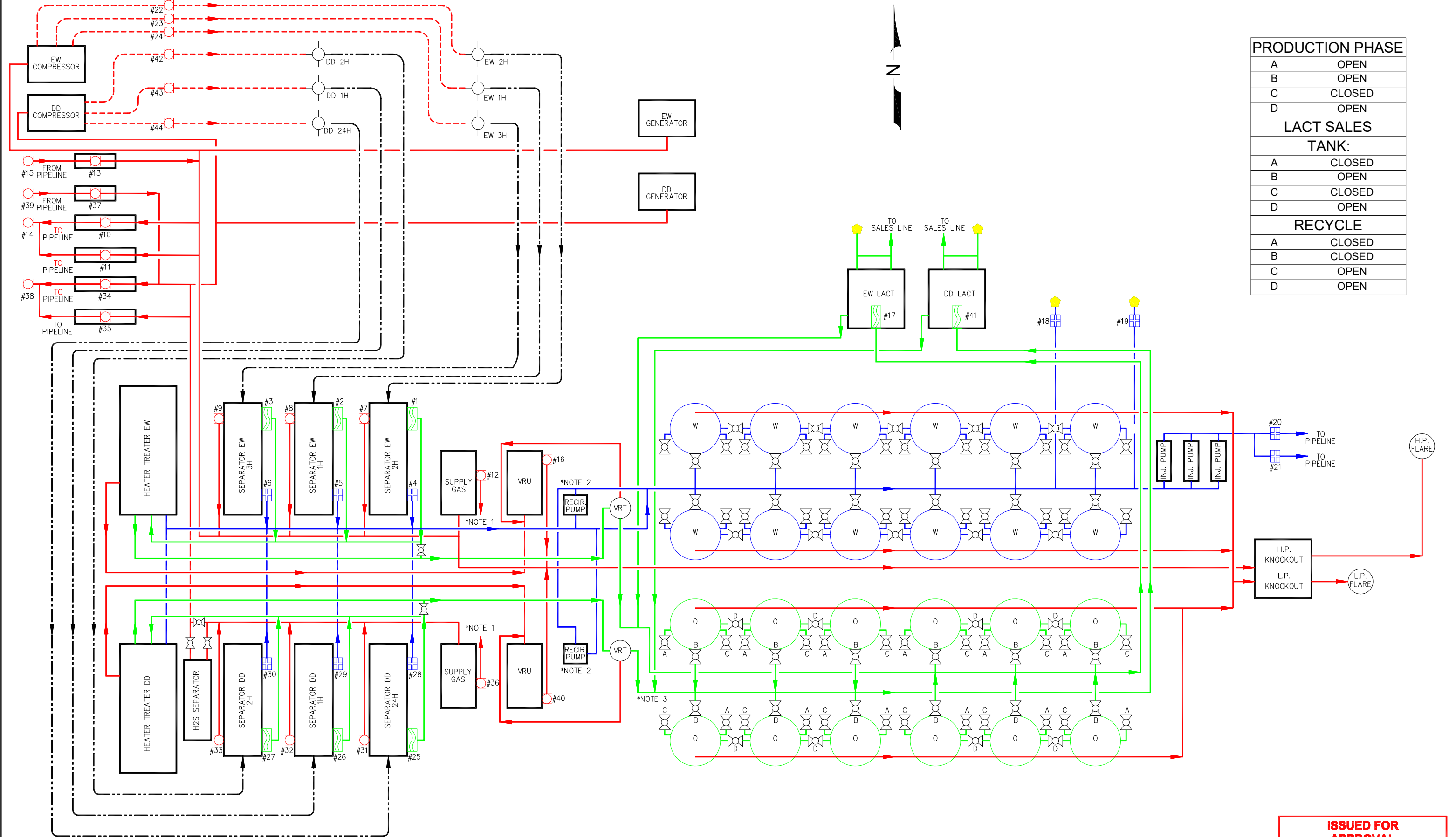
Agreement	Lease	Well/Fac Name, Number	API Number	Location
NMNM113419	NMNM113419	ENDER WIGGINS 14 TB FC 3H	30-025-45188-00-S1	Sec 14 T25S R34E SWNW 2450FNL 642FWL 32.130890 N Lat, 103.446747 W Lon
NMNM113419	NMNM113419	ENDER WIGGINS 14 WD FC 2H	30-025-45189-00-S1	Sec 14 T25S R34E SWNW 2449FNL 582FWL 32.130901 N Lat, 103.446945 W Lon
NMNM136221	NMNM136221	DOGIE DRAW 14 TB FED COM 1H	30-025-45092-00-S1	Sec 14 T25S R34E NWSW 2600FSL 626FWL 32.130268 N Lat, 103.446800 W Lon
NMNM139617	NMNM136221	DOGIE DRAW 14 WA FED COM 2H	30-025-45093-00-S1	Sec 14 T25S R34E NWSW 2600FSL 596FWL 32.130268 N Lat, 103.446899 W Lon
NMNM139618	NMNM136221	DOGIE DRAW 14 AV FED COM 2H	30-025-45091-00-S1	Sec 14 T25S R34E NWSW 2600FSL 656FWL 32.130268 N Lat, 103.446701 W Lon
NMNM113419	NMNM113419	ENDER WIGGINS 14 WA FED COM 3H	30-025-45187-00-S1	Sec 14 T25S R34E SWNW 2449FNL 612FWL 32.130901 N Lat, 103.446846 W Lon
	NMNM113419	FAC EWDD ENDER WIGGINS DOGIE DRAW CTB		Sec 14 T25S R34E Mer NMP
	NMNM136221	FAC EWDD ENDER WIGGINS DOGIE DRAW CTB		Sec 14 T25S R34E Mer NMP
NMNM139618		FAC EWDD ENDER WIGGINS DOGIE DRAW CTB		Sec 14 T25S R34E Mer NMP
NMNM139617		FAC EWDD ENDER WIGGINS DOGIE DRAW CTB		Sec 14 T25S R34E Mer NMP

10. Field and Pool, continued

RED HILLS-BONE SPRINGS
 UNKNOWN

Revisions to Operator-Submitted EC Data for Sundry Notice #532941

	Operator Submitted	BLM Revised (AFMSS)
Sundry Type:	SITE SR	SITE SR
Lease:	NMNM113419	NMNM113419 NMNM136221
Agreement:		NMNM139617 (NMNM139617) NMNM139618 (NMNM139618)
Operator:	MARATHON OIL PERMIAN LLC 5555 SAN FELIPE ST HOUSTON, TX 77056 Ph: 713-296-3368	MARATHON OIL PERMIAN LLC 5555 SAN FELIPE STREET HOUSTON, TX 77056
Admin Contact:	ADRIAN COVARRUBIAS REGULATORY PROFESSIONAL E-Mail: acovarrubias@marathonoil.com Ph: 713-296-3368	ADRIAN COVARRUBIAS REGULATORY PROFESSIONAL E-Mail: acovarrubias@marathonoil.com Ph: 713.296.3368
Tech Contact:	ADRIAN COVARRUBIAS REGULATORY PROFESSIONAL E-Mail: acovarrubias@marathonoil.com Ph: 713-296-3368	ADRIAN COVARRUBIAS REGULATORY PROFESSIONAL E-Mail: acovarrubias@marathonoil.com Ph: 713.296.3368
Location:		
State:	NM	NM
County:	LEA	LEA
Field/Pool:	PITCHFORK RANCH; WOLFCAMP	FAIRVIEW MILLS-WOLFCAMP PITCHFORK RANCH RED HILLS-BONE SPRINGS UNKNOWN
Well/Facility:	ENDER WIGGINS 14 WA FC 1H Sec 14 T25S R34E Mer NMP SWNW 2449FNL 612FWL	ENDER WIGGINS 14 TB FC 3H Sec 14 T25S R34E SWNW 2450FNL 642FWL 32.130890 N Lat, 103.446747 W Lon ENDER WIGGINS 14 WD FC 2H Sec 14 T25S R34E SWNW 2449FNL 582FWL 32.130901 N Lat, 103.446945 W Lon DOGIE DRAW 14 TB FED COM 1H Sec 14 T25S R34E NWSW 2600FSL 626FWL 32.130268 N Lat, 103.446800 W Lon DOGIE DRAW 14 WA FED COM 2H Sec 14 T25S R34E NWSW 2600FSL 596FWL 32.130268 N Lat, 103.446899 W Lon DOGIE DRAW 14 AV FED COM 24H Sec 14 T25S R34E NWSW 2600FSL 656FWL 32.130268 N Lat, 103.446701 W Lon ENDER WIGGINS 14 WA FED COM 1H Sec 14 T25S R34E SWNW 2449FNL 612FWL 32.130901 N Lat, 103.446846 W Lon FAC EWDD ENDER WIGGINS DOGIE DRAW CTB Sec 14 T25S R34E Mer NMP FAC EWDD ENDER WIGGINS DOGIE DRAW CTB Sec 14 T25S R34E Mer NMP FAC EWDD ENDER WIGGINS DOGIE DRAW CTB Sec 14 T25S R34E Mer NMP FAC EWDD ENDER WIGGINS DOGIE DRAW CTB Sec 14 T25S R34E Mer NMP



ISSUED FOR APPROVAL
09/24/20

NOTES:
 1. FUEL GAS IS ROUTED THROUGHOUT THE FACILITY.
 2. PIPING IS INTERCONNECTED TO ALL OF THE TANKS TO MOVE FLUID NECESSARY FOR RECYCLE.
 3. THERE ARE MORE THAN TWO LINES BETWEEN THE TANKS. PROCESS FLOW IS CAPTURED IN VALVE POSITIONING TABLE.
 4. 1000 BBL Oil and Water Tanks

This document contains Marathon Oil proprietary information. Do not use unless you are specifically authorized.
 Do not copy, disclose or provide access to others without Marathon Oil's prior written consent.

ENGINEERING APPROVAL			
PROJECT	BY	DATE	
STRUCTURAL			
PROCESS			
MECHANICAL			
ELECTRICAL			
INSTRUMENT			
DRAWN	BY	DATE	
CHECKED	JPR	09/22/20	
APPROVED			

ISSUED FOR APPROVAL
DATE: 09/24/20

DOCUMENT NO: PERM-EWDD-05-ME-DT-0000-02		FACILITY NAME: ENDER WIGGINS FED COM 1H, 2H, & 3H DOGIE DRAW FED COM 1H, 2H, & 24H	
		DRAWING TITLE: SECURITY DRAWING	
MAJOR ASSET NO: PERM	MINOR ASSET NO: EWDD	SYSTEM NO: 05	DISC: ME
TYPE: DT	DWG NO: 0000	SHEET NO: 02	REV: A

NO.	DATE	ISSUED FOR APPROVAL	REVISION	BY	CHK.	APP.
A	09/24/20	ISSUED FOR APPROVAL		JPR	RS	RR

SCALE: 1" = 40'

ENDER WIGGINS 1H, 2H, 3H				
COMPONENT	ITEM	OIL METER SERIAL #	ALLOCATION	TYPE
2H SEP	1	MICRO MOTION 14900257 / 3429112	2H	CORIOLIS
1H SEP	2	MICRO MOTION 14901833 / 3429274	1H	CORIOLIS
3H SEP	3	MICRO MOTION 14902609 / 3428613	3H	CORIOLIS
COMPONENT	ITEM	WATER METER SERIAL #	ALLOCATION	TYPE
2H SEP	4	ROSEMOUNT 14899499 / 14899600	2H	MAGNETIC
1H SEP	5	ROSEMOUNT 14905785 / 14905873	1H	MAGNETIC
3H SEP	6	ROSEMOUNT 14899504 / 14899606	3H	MAGNETIC
COMPONENT	ITEM	GAS METER SERIAL #	ALLOCATION	TYPE
2H SEP	7	CANALTA D0302874 / 0043190 ROSEM.	2H	ORIFICE
1H SEP	8	CANALTA D0306056 / 0043199 ROSEM.	1H	ORIFICE
3H SEP	9	CANALTA D0306063 / 0043200 ROSEM.	3H	ORIFICE
FACILITY METERS				
COMPONENT	ITEM	GAS METER SERIAL #	ALLOCATION	TYPE
SALES CHECK 1	10	CANALTA D0402618 / 0048973	SALES CHECK	ORIFICE
SALES CHECK 2	11	CANALTA D0402593 / 0048974	SALES CHECK	ORIFICE
LEASE USE GAS	12	CANALTA D025765 / 0033521	CTB	ORIFICE
BUYBACK CHECK	13	CANALTA S0227115 / 0012752	BUYBACK CHECK	ORFICE
MASTER SALES	14	CANALTA D0601646 / T192674336 ABB	MASTER SALES-LUCID	ORFICE
MAST BUYBACK	15	CANALTA S0228815 / T192371261 ABB	MASTER BB-LUCID	ORFICE
VRU TO SALES	16	CANALTA S0225968 / 0008790 ROSEMOUNT	CTB	ORFICE
COMPONENT	ITEM	OIL METER SERIAL #	ALLOCATION	TYPE
PL LACT	17	ENDRESSHAUSER P502E216000	ORYX	PROMASS 300
COMPONENT	ITEM	WATER METER SERIAL #	ALLOCATION	TYPE
WATER TANK	18	ROSEMOUNT 14922395 / 14922489	LOADOUT	MAGNETIC
N. WATER TRANSFER	20	ROSEMOUNT 14903175 / 14903244	TRANSFER SOLARIS	MAGNETIC
COMPRESSOR METERS				
COMPONENT	ITEM	GAS METER SERIAL #	ALLOCATION	TYPE
GAS LIFT xH	22	CANALTA S/ ROSEM.	INJECTION 2H	ORIFICE
GAS LIFT xH	23	CANALTA S/ ROSEM.	INJECTION 1H	ORIFICE
GAS LIFT xH	24	CANALTA S/ ROSEM.	INJECTION 3H	ORIFICE

DOGIE DRAW 1H, 2H, 24H				
COMPONENT	ITEM	OIL METER SERIAL #	ALLOCATION	TYPE
24H SEP	25	MICRO MOTION 14904475 / 3429147	24H	CORIOLIS
1H SEP	26	MICRO MOTION 14901849 / 3429128	1H	CORIOLIS
2H SEP	27	MICRO MOTION 14868454 / 3423929	2H	CORIOLIS
COMPONENT	ITEM	WATER METER SERIAL #	ALLOCATION	TYPE
24H SEP	28	ROSEMOUNT 14905780 / 14905867	24H	MAGNETIC
1H SEP	29	ROSEMOUNT 14905781 / 14905871	1H	MAGNETIC
2H SEP	30	ROSEMOUNT 14905790 / 14905876	2H	MAGNETIC
COMPONENT	ITEM	GAS METER SERIAL #	ALLOCATION	TYPE
24H SEP	31	CANALTA D0305750 / 0043193 ROSEM.	24H	ORIFICE
1H SEP	32	CANALTA D0306302 / 0043194 ROSEM.	1H	ORIFICE
2H SEP	33	CANALTA D0306316 / 0043189 ROSEM.	2H	ORIFICE
FACILITY METERS				
COMPONENT	ITEM	GAS METER SERIAL #	ALLOCATION	TYPE
SALES CHECK 1	34	CANALTA D0401900 / 0048969	SALES CHECK	ORIFICE
SALES CHECK 2	35	CANALTA D0401809 / 0048970	SALES CHECK	ORIFICE
LEASE USE GAS	36	CANALTA D026102 / 0033520	CTB	ORIFICE
BUYBACK CHECK	37	CANALTA S0227089/ 0012747	BUYBACK CHECK	ORFICE
MASTER SALES	38	CANALTA D0601002 / T192674342 ABB	MASTER SALES-LUCID	ORFICE
MAST BUYBACK	39	CANALTA S0229235 / T191865675 ABB	MASTER BB-LUCID	ORFICE
VRU TO SALES	40	CANALTA S0227078/ 0012717 ROSEMOUNT	CTB	ORFICE
COMPONENT	ITEM	OIL METER SERIAL #	ALLOCATION	TYPE
PL LACT	41	ENDRESSHAUSER P6029016000	ORYX	PROMASS 300
COMPONENT	ITEM	WATER METER SERIAL # (TYP EW)	ALLOCATION	TYPE
WATER TANK	19	ROSEMOUNT 14922396 / 14922488	LOADOUT	MAGNETIC
S. WATER TRANSFER	21	ROSEMOUNT 14905193 / 14905311	TRANSFER SOLARIS	MAGNETIC
COMPRESSOR METERS				
COMPONENT	ITEM	GAS METER SERIAL #	ALLOCATION	TYPE
GAS LIFT xH	42	CANALTA S/ ROSEM.	INJECTION 2H	ORIFICE
GAS LIFT xH	43	CANALTA S/ ROSEM.	INJECTION 1H	ORIFICE
GAS LIFT xH	44	CANALTA S/ ROSEM.	INJECTION 24H	ORIFICE

ISSUED FOR APPROVAL
09/24/20

NOTES:


This document contains Marathon Oil proprietary information. Do not use unless you are specifically authorized.
Do not copy, disclose or provide access to others without Marathon Oil's prior written consent.

NO.		DATE	REVISION	BY	CHK.	APP.
A	09/24/20	ISSUED FOR APPROVAL		JPR	RS	RR

ENGINEERING APPROVAL	
PROJECT	DATE
STRUCTURAL	
PROCESS	
MECHANICAL	
ELECTRICAL	
INSTRUMENT	
BY	DATE
JPR	09/22/20

ISSUED FOR APPROVAL
DATE: 09/24/20

DOCUMENT NO: PERM-EWDD-05-ME-DT-0000-03



FACILITY NAME: ENDER WIGGINS FED COM 1H, 2H, & 3H
DOGIE DRAW FED COM 1H, 2H, & 24H

DRAWING TITLE: METER CHART

MAJOR ASSET NO:	MINOR ASSET NO:	SYSTEM NO:	DISC:	TYPE:	DWG NO:	SHEET NO:	REV:
PERM	EWDD	05	ME	DT	0000	03	A

SCALE: 1"=40'